

GENERAL PURPOSE ENGINE

GX25NT

PARTS CATALOGUE

1



GX25NT

FOREWORD INDEX

1

ENGINE GROUP

2

PART NUMBER INDEX

3

PART NAME INDEX

4

Instruction for use of parts catalogue

- **This parts catalogue was prepared based on the latest information available as of October 01, 2005.**
- See the parts catalogue news for any revision that is made after October 01, 2005.
- **Always specify the part number when ordering a part.**
- Check the model, type, serial numbers, color, maker, and the size as needed before ordering a part.
- Note that the illustrations (part drawings) can differ from the actual parts in shape. They are given just to help you to refer to the parts.
- **When modifications or additions to this parts catalogue are made, a revised edition will be issued at an appropriate time, with successively progressing revision numbers on the cover. We recommend obtaining such revisions in order to keep your parts catalogue up-to-date at all times. To check whether a parts catalogue revision has been issued, please contact your Honda distributor.**

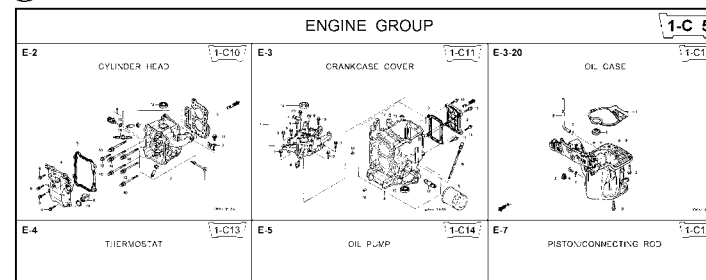
Initial version issue date **October 01, 2005**
Honda Motor Co., Ltd.

CONTENTS

	Page	Address No.
● Instruction for use of parts catalogue	1	B 1
● How to refer to the part information	2	B 2
● Part catalogue structure	3	B 3
● When the parts were revised	4	B 4
● Abbreviations used in the parts catalogue	4	B 4
● How to check the part block and serial numbers	5	B 5
● Models, parts catalogue codes and applicable serial numbers	6	B 6
● Features of each type	6	B 6
● Fuel hose, general purpose hoses and vinyl hose	7	B 7
● FLAT RATE SERVICE TIME	8	B 8
● Illustrated index	13	B13
● ENGINE GROUP	15	C 1
● PART NO. INDEX	32	E 1
● PART NAME INDEX	33	F 1

How to refer to the part information

A Reference with "Illustrated index"



B Reference with "Part number index"

PART NO. INDEX

Part Number	Address	Page	Ref.	Part Number	Address	Page
06000				15212-ZW9-000	1-C14	3C
06316-ZW9-000	1-G9	88	1	15220-ZW9-003	1-C14	3C
11000				15332-ZW9-000	1-E8	55
11300-ZW9-405	1-C11	27	1	15332-ZW9-A30	1-E11	58
11300-ZW9-406	1-C11	27	1	15400-PFB-004	1-C11	27
11340-ZW9-000	1-C11	27	2	15422-ZW9-000	1-C14	3C
11342-ZW9-000	1-C11	27	3	15473-881-000	1-C14	3C
11381-ZW9-003	1-C12	28	1	15474-ZW9-000	1-C14	3C
				15611-921-000	1-C10	2E
				15655-ZW9-000	1-C11	27
				16000		
12000				16010-ZV4-005	1-D4	3E
12000-ZW9-405ZA	1-C11	27	4	16011-ZV4-005	1-D4	3E
12155-ZV4-A00	1-C13	29	1	16013-ZW9-003	1-D4	3E
12166-ZW9-000	1-C10	26	1	16016-ZW9-003	1-D4	3E
12209-GB4-681	1-C16	32	1	16016-ZW9-721	1-D4	3E
12210-ZW9-405ZA	1-C10	26	2	16023-ZW9-003	1-D4	3E
12216-ZE2-500	1-E8	55	1	16024-ZV4-650	1-D4	3E
	1-E11	58	1	16028-ZV4-650	1-D4	3E

C Reference with "Part name index"

PART NAME INDEX

Part name	Address	Page	Ref.
[A]			
ABSORBER , FUEL	1-E15	62	5
ARMATURE COMP.	1-D11	43	7
ARM COMP. , LINK JOINT	1-G6	85	18
ARM COMP. , SHIFT LINK	1-G6	85	14
ARM COMP. , TILT	1-F15	79	20
ARM , FUEL PUMP ROCKER	1-C16	32	4
ARM , REVERSE LOCK	1-F15	79	18
ARM , SHIFT LINK	1-F11	74	7
ARM , STOPPER	1-D1	33	12
ARM , THROTTLE REMOTE	1-F11	74	6
ARM , VALVE ROCKER	1-C16	32	3
[B]			
BAG , TOOL , 160MM	1-G5	84	10
BAND	1-G6	86	37
BAND B1 , WIRE	1-F6	69	1
BAND , CORD	1-F3	67	18
BAND , TUBE CLIP , 11MM	1-E15	63	20
BAND , TUBE CLIP , 12.5MM	1-E15	63	19

Block No. 1-C10

Ref No.

Address No. 1-C10

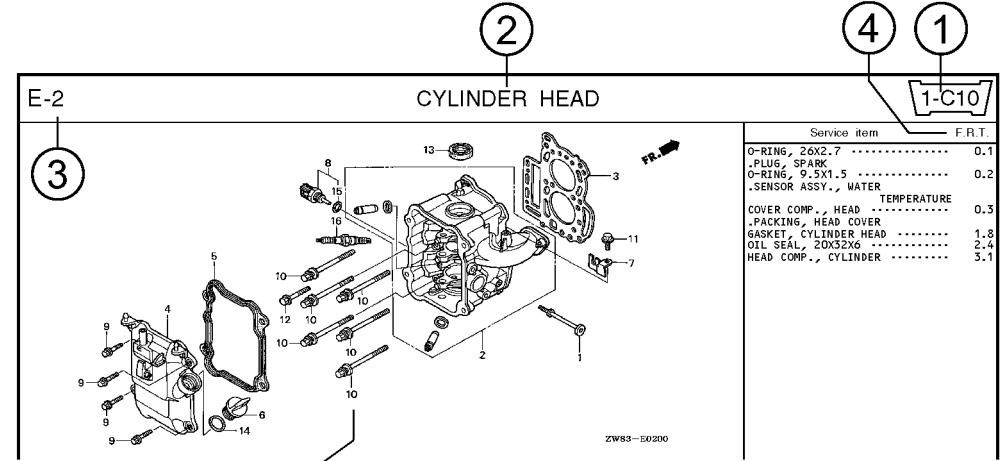
Service item F.R.T.

O-RING, 26X2.7	0.1
.PLUG, SPARK	0.2
O-RING, 9.5X1.5	0.2
.SENSOR ASSY., WATER TEMPERATURE	0.3
COVER COMP., HEAD	0.3
.PACKING, HEAD COVER	1.8
GASKET, CYLINDER HEAD	2.4
OIL SEAL, 20X32X6	2.4
HEAD COMP., CYLINDER	3.1

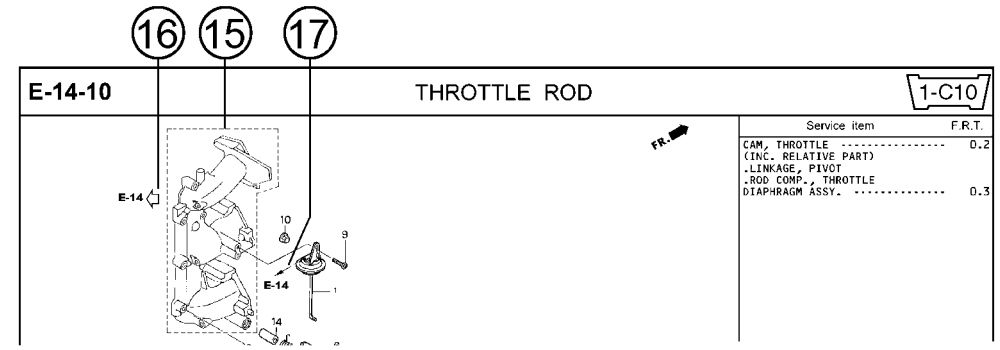
2005.09.20 E

Page No.

Part catalogue structure



Ref. No.	Part No.	Description	Reqd. QTY						Serial No.	Parts catalogue code
			BF 9/901	BFP 9/901	BF 1001	BFP 1001	BF 1081	BFP 1081		
1	12166-ZW9-000	STOPPER, ENGINE SIDE	2	2	2	2	2	2		
2	12210-ZW9-000ZA	HEAD COMP., CYLINDER *NH8* DARK GRAY	1	1	1	1	1	1		
3	12251-ZW9-003	GASKET, CYLINDER HEAD	1	1	1	1	1	1		
4	12310-ZW9-000	COVER COMP., HEAD	1	1	1	1	1	1		
5	12312-ZW9-000	PACKING, HEAD COVER	1	1	1	1	1	1		
6	15611-921-000	CAP, OIL (NO GAUGE)	1	1	1	1	1	1		
7	16617-ZW9-000	HOLDER, CABLE	1	1	1	1	1	1	----- SC,S6	
	16617-ZW9-010		1	1	1	1	1	1	1001800 LHC,LHD	



① Address number

- Address No. is provided (in place of the page No.) to help you refer to the part with the part No. or part name.

② Block title ③ Block number

④ Service item/Flat rate time

⑤ Reference number

- Title number marked with the parenthesis or parentheses indicates that it continues from the previous page.

⑥ Part number ⑦ Honda color code

⑧ Description

⑨ Assemblies

- Sections framed with broken lines in the exploded view drawings are available as complete assemblies. (Their individual parts can also be obtained.)

⑩ Color description

⑪ Note

- Notes are shown with the parentheses in the part name column.

⑫ Required quantity

- Required QTY shown in the parenthesis or parentheses indicates the optional part.
- Required QTY marked with "N" Indicates the optional part that should be selected as needed.
- Required QTY indicates the number of the part used in the block.

⑬ Serial number

⑭ Type

- When the type column is blank, it indicates that the part is applicable to all types.
- As the type of the actual unit may differ from the "parts catalogue, type" please refer to "Models, types and applicable serial numbers" for confirmation.

⑮

- Parts enclosed within a dotted line are covered in a different block.

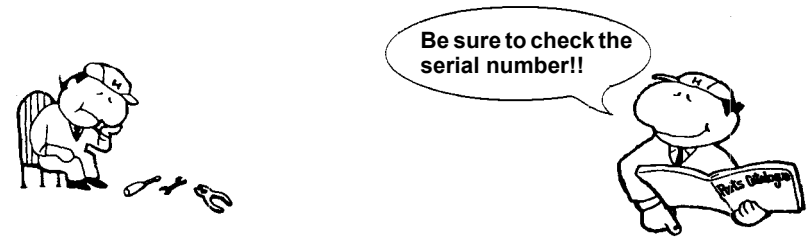
⑯

- A hollow arrow indicates the block No. for the parts enclosed within a dotted line .

⑰

- A solid arrow indicates the block No. the part in question is connected to.

When the parts were revised



Ref. No.	Part No.	Description	Reqd. QTY						Serial No.
			BF 99D1	BFP 9.9D1	BF 10D1	BFP 10D1	BF 10B1	BFP 10B1	
1	12166-ZW9-000	STOPPER, ENGINE SIDE	2	2	2	2	2	2	
2	12210-ZW9-000ZA	HEAD COMP., CYLINDER *NH8*.....DARK GRAY	1	1	1	1	1	1	
3	12251-ZW9-003	GASKET, CYLINDER HEAD	1	1	1	1	1	1	
4	12310-ZW9-000	COVER COMP., HEAD	1	1	1	1	1	1	
5	12312-ZW9-000	PACKING, HEAD COVER	1	1	1	1	1	1	
6	15611-921-000	CAP, OIL (NO GAUGE)	1	1	1	1	1	1	
7	16617-ZW9-000	HOLDER, CABLE (###).....	1	1	1	1	1	1	
	16617-ZW9-010	1	1	1	1	1	1	

The number has been used from the initial model without revision. When shown at the left side, it is applicable to the models of No.1001801 and the subsequent numbers. When shown at the right side, it is applicable to the models up to No.1001800.

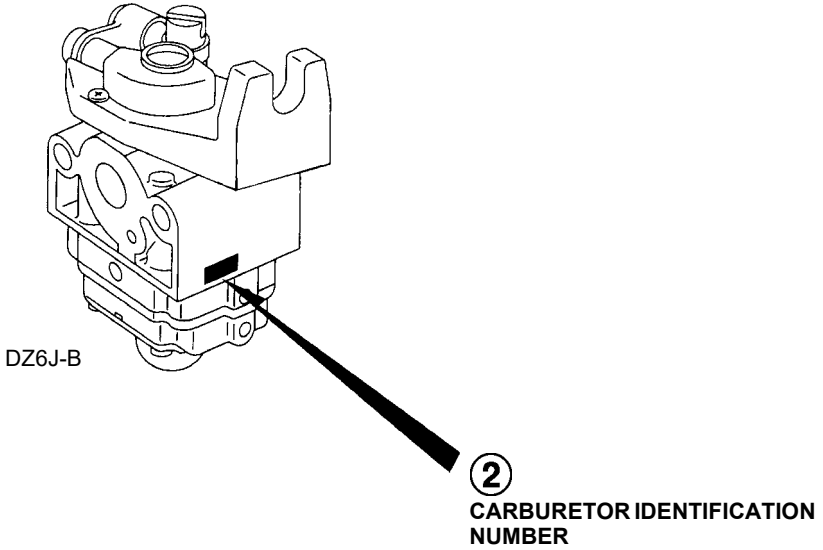
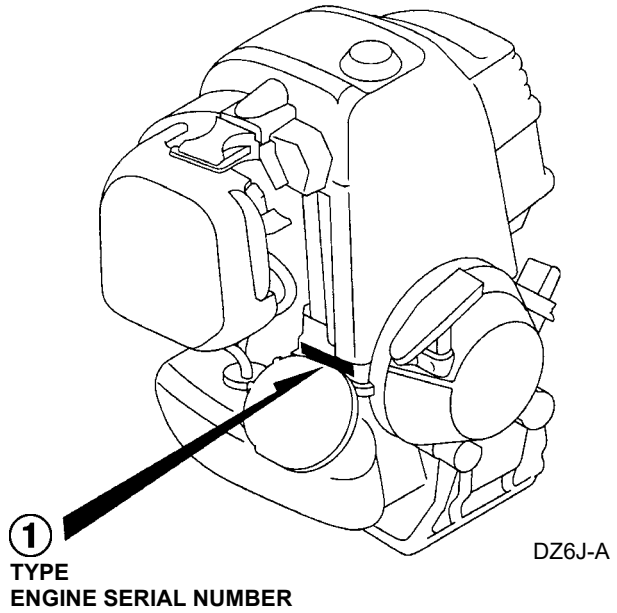
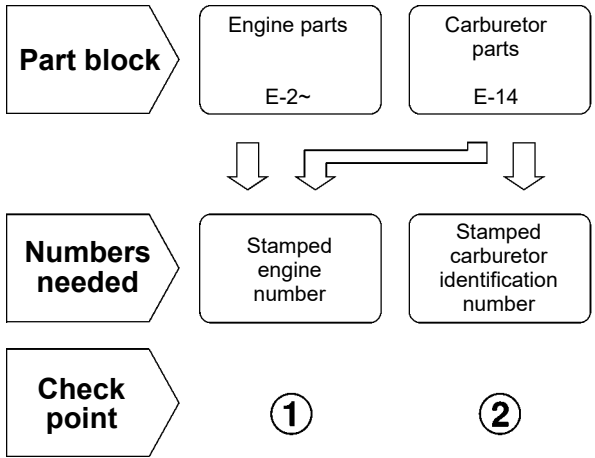
• The parts listed with "###" at the end of the parts name have limited supply period (parts not for sale).

Abbreviations used in the parts catalogue

• The following abbreviations are used in the parts name column.

- A Ampere
- A.C. Alternating current
- ASSY. Assembly
- AT. Automatic transmission
- C.D.I. Capacitive discharge ignition
- COMP. ... Complete
- D.C. Direct current
- EX. Exhaust
- G.F.C.I ... Ground fault circuit interruptor
- HEX. Hexagonal
- H.S.T. Hydrostatic transmission
- FR.Front
- IN.Inlet
- L (100L) .Link (100 Links)
- L.Left
- MMMillimeter
- MT.Manual Transmission
- P.T.O.Power take off
- R.Right
- RR.Rear
- STD.Standard
- T (22T) ...Tooth (22 Teeth)
- VVolt
- WWatt

How to check the part block and serial numbers



Models, parts catalogue codes and applicable serial numbers

- Models, parts catalogue codes and applicable serial Nos. given in this parts catalogue can be identified as follows.

Model	Type	Parts catalogue type	Applicable engine serial No.	Applicable carburetor identification No.
GX25NT	SAM3	SAM3	GCART-1000001~	WYB 6D
	SGT3	SGT3		
	ST3	ST3		
	S3	S3		WYB 9B
	T3	T3		WYB 12B
	W3	W3		

* Of carburetor identification numbers, only the portions underlined in the example below are used for registration.

WYB 6D KC ナ

Features of each type

- See the following table for the features of each type. (Items in brackets are optional)

Specifications	Model	GX25NT					
	Type	SAM3	SGT3	ST3	S3	T3	W3
P.T.O. Shaft							●
Tank guard			●	●			
Control							●

Fuel hose, general purpose hoses and vinyl hose

- The standard part fuel hose, general purpose hose and vinyl hose may be substituted by the coiled bulk part.
- When ordering the standard part fuel hose, general purpose hose and vinyl hose use the bulk part number written in the parts catalog in brackets () underneath the part name.
- When exchanging the hose, cut and use at the specified length as mentioned in the part name.
(For the method of cutting the bulk part, and method of filling out orders etc., please refer to the instructions issued with the bulk part.)

Bulk part number of fuel hose, general purpose hose and vinyl hose.

Example: 9 5 0 0 1 - 7 5 0 0 1 - 5 0 M

Bulk part number:
Refers to the bulk part.

Marking code (fuel hose and general purpose hose)

Change code (Vinyl hose)

Indicates number mark or change sequence, however, the code for the bulk part must be strictly 0 (zero).

Types of code:

- | | | | | | |
|-------------|--|----------------|--|--------------|---|
| • Fuel hose | 2: Red outside braid
(3 mm inside dia. only) | • General hose | 1: Ash gray
2: Ash gray
3: Black
5: Black | • Vinyl hose | 1: Clear
2: Black
3: Light red
6: Light red
7: Pale black |
| | 5: Black inside braid | | | | |
| | 3: Red (3 mm inside dia. only) | | | | |
| | 4: Ash gray with red stripe
(3 mm inside dia. only) | | | | |
| | 6: Black | | | | |

Lengths:

- 001: 1 m (standard)
003: 3 m
008: 8 m } Application or specification of some parts is not settled.

I.D code: (fuel hose and general purpose hose)

- | | | | | |
|------------|--------------------|--------------------|-----------------------------|-----------------------------|
| 30: 3.0 mm | 50: 5.0 mm | 70: 7.0 mm | 11: 11 mm | 12: 12 (outside dia. 17) mm |
| 35: 3.5 mm | 55: 5.3 mm, 5.5 mm | 75: 7.3 mm, 7.5 mm | 91: 12 (outside dia. 15) mm | 14: 14 mm |
| 45: 4.5 mm | 65: 6.5 mm | 80: 8.0 mm | 92: 12 (outside dia. 16) mm | 17: 17 mm |

ID./OD. code: (vinyl hose)

- | | | | | |
|-------------------------|--------------------------|---------------------------|---------------------------|---------------------------|
| 01: ID. 2.9, OD. 6.8 mm | 12: ID. 5.0, OD. 7.0 mm | 21: ID. 8.0, OD. 9.0 mm | 37: ID. 11.0, OD. 15.0 mm | 50: ID. 16.0, OD. 19.0 mm |
| 03: ID. 3.0, OD. 6.0 mm | 10: ID. 5.0, OD. 8.0 mm | 23: ID. 8.0, OD. 12.0 mm | 38: ID. 12.0, OD. 13.0 mm | 55: ID. 17.5, OD. 20.5 mm |
| 05: ID. 3.5, OD. 6.5 mm | 11: ID. 5.0, OD. 9.0 mm | 25: ID. 9.0, OD. 11.0 mm | 39: ID. 12.0, OD. 14.0 mm | 60: ID. 22.0, OD. 27.0 mm |
| 07: ID. 4.0, OD. 7.0 mm | 14: ID. 6.0, OD. 9.0 mm | 27: ID. 9.0, OD. 13.0 mm | 40: ID. 12.0, OD. 16.0 mm | |
| 08: ID. 4.5, OD. 6.5 mm | 17: ID. 7.0, OD. 9.0 mm | 33: ID. 10.0, OD. 14.0 mm | 43: ID. 13.0, OD. 15.0 mm | |
| 09: ID. 4.5, OD. 8.0 mm | 19: ID. 7.0, OD. 11.0 mm | 36: ID. 11.0, OD. 13.0 mm | 45: ID. 14.0, OD. 18.0 mm | |

Hose type:

- 1: Fuel hose
3: Vinyl hose
5: General hose

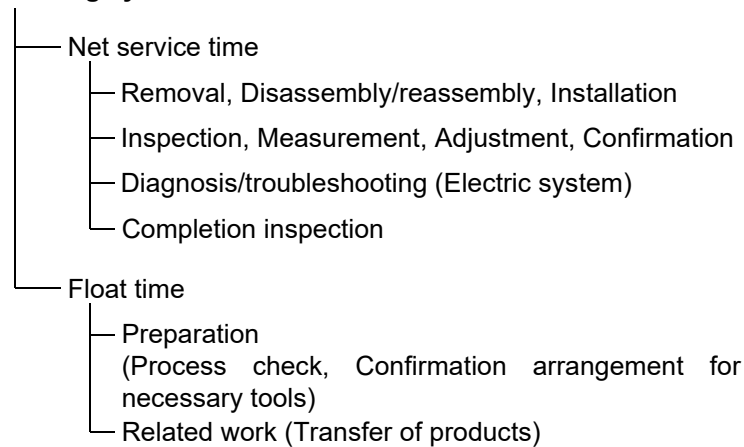
⊙ **CAUTION: It is DANGEROUS to confuse the fuel hose with the general purpose hose or vinyl hose.**

Never use a general purpose hose or vinyl hose in place of a fuel hose or vice versa. Always use the correct bulk part in the parts catalogue, according to the service manual or the instructions issued with the bulk part.

FLAT RATE SERVICE TIME

Flat rate service time (FRT) means the standard time required to service a product, which is listed in this manual to help the dealers control the actual working process and calculate the service charge by using it as a guide.

FRT setting system



* Float time is set by multiplying the net service time by a given coefficient.

Editorial style

The service items shown in the text are listed with the exchange work time for the repair sales parts as the subject. Other representative service items not using repair parts (removal/installation, adjustment, inspection/measuring, and other work) are listed collectively in the list in the preface, classified according to the work.

FRT setting standard

- Decimal system (in unit of 0.1) is adopted to set FRT as it is convenient to calculate the wage.
Example: (0.1) → 6 minutes, (0.2) → 12 minutes
[Labor cost per hour] x [FRT] = [Wage]
- FRT is set with a hand tool.
- Service items and FRT can be subject to change depending on development of tools and service equipment and improvement in service procedure.

Work procedure

- As the work procedure is set with the work time according to the method in the separate Service Manual, refer to this Manual as required.
- Work methods permitting servicing in the shortest time still permitting assurance of safe work and product warranty are used for the setting of service items not listed in the Service Manual.
- Work basically is to be performed by one person, and when two or more people are required, setting is done as the total time for the number of people.
- The set value for the technological level of the workers uses a person with three years of experience in the repair of Honda products as the standard.
- Special tools and service equipment used to set FRT are those specified or recommended in Service Manual.

Service item whose FRT is not presented

- Accessories and service parts that are not listed to use in this manual.
 - Locations with little aging deterioration or breakage during normal use.
 - Service work that can be finished by one touch.
 - Service work that is seldom done (i.e. extremely small causes of trouble and service frequency).
 - Products and parts whose location for installation differs according to its status of use and application.
- * When FRT is not presented, please calculate wages based on appropriate actual work time.

Operation not included of FRT

- Oil and coolant water draining, Waiting time for warming up operation and etc..
- Additional operation that involves removal/installation of standard exterior equipment.
- Indirect time spent for service by visiting the customer, trade-in, and delivery.
- Indirect time required for ordering and delivery of parts.
- Cost for grease, adhesive agent, etc. used for service work.

Explanation of FRT by using an example
(The example may differ from the actual presented items)

Ref. No.	L.O.N.	(Relative ref. Number)	F.R.T.
①	1111L1	④ (1, 3, 4, 7) VALVE, INTAKE4.1	②
②		⑥ • NOTE: OHV type	⑦
③	1111L1A	⑤ • Includes: Engine removal and installation One head (intake all) add1.4	

- ① Reference No. of the illustration of part that shows location of the replacement work.
- ② FRT is an abbreviation of Flat Rate Time indicating the standard service time required for the replacement.
- ③ LON is an abbreviation of Labor Operation Number, and it is a classification of the service items by the work unit code.

The same operation code is used regardless of the models.

Standard operation is indicated with 6 digits code, and additional operation is indicated with 7 digits code.

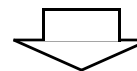
- ④ Indicating the intake valve replacement and FRT4.1.
- ⑤ Indicating FRT1.4 that will be added when additional operation (whole intake side of one cylinder head) is done in association with intake valve replacement.

- ⑥ Indicating work condition or application condition of the service item.
- ⑦ Indicating work contents that are included in the service item.
- ⑧ Indicating a reference No. whose operation and time are the same as FRT4.1 for the intake valve.

(The application range is limited to the service items without an LON setting within a same block.)

How to refer to the service item by using the sample
(intake valve replacement)

Open to the page of the block where the intake valve's spare part illustration is shown.



Look for the intake valve illustration, and refer to the service item and FRT that agree with the reference No.

Indication mark for the listing of service items that continues to the following page

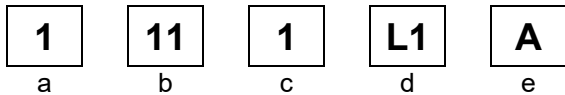
Ref. No.	L.O.N.	(Relative ref. Number) Description	F.R.T.
2	1111L1	VALVE, INTAKE	4.1
	.	.	.
	.	.	.

+
Mark indicated at the last line.

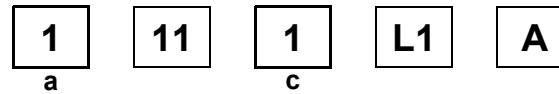
Indication of the block with no setting of FRT

Ref. No.	L.O.N.	(Relative ref. Number) Description	F.R.T.
NO INFORMATION			

• LON code system



- a) Category code..... Engine
- b) Location/function code Engine upper
- c) Operation code..... Replace
- d) Operation sequence number (Unit code can be shown with alphabet)
..... Intake valve
(No regular rule of code)
- e) Additional code One head (intake all)
(No regular rule of code)



a) Category codes and classification

Code	Category
1	Engine
2	Power drive
3	Fuel & Exhaust
4	Frame & Body
5	Steering
6	Electrical
7	Axle & Brake
8	Control system
9	-
0	Attachments

c) Operation codes and classification

Code	Operation category
1	Replace, Removal/Installation, Change
2	Overhaul
3	Adjust, Rotation
4	(Paint-related work: Top-coat)
5	Test, Inspect/diagnose, Measurement
6	(Overhaul-related work: Rebore)
7	(Overhaul-related work: Reseal)
8	(Resurface)
9	(Paint-related work: Refinish)
0	Repair, Cleaning, Air bleeding

Major service items without using spare parts

(1) Removal/Installation, (2) Adjustment, (3) Inspection/Measurement, (4) Overhaul, (5) Other work

E: Engine, T: Transmission, D: Drive system, B: Body and related parts

(2) Adjustment

	LON	DESCRIPTION	FRT
E	1113A1	VALVE CLEARANCE-ADJUSTMENT NOTE: For 1 product	0.4
	3113A2	CARBURETOR IDLE-ADJUSTMENT	0.2

(3) Inspection, Measurement, Cleaning

	LON	DESCRIPTION	FRT
E	1105A0	ENGINE OIL-INSPECTION	0.1
	3100A0	FUEL FILTER-CLEANING	0.3
	3120A0	AIR CLEANER-CLEANING INCLUDES: Air cleaner-inspection	0.1
	3130A0	SPARK ARRESTER-CLEANING	0.2
	6140A0	SPARK PLUG-ADJUSTMENT/CLEANING NOTE: For 1 product	0.1

(4) Overhaul

Work condition: The required Measurements, inspections, adjustments, and cleaning/washing of each part are performed, including the main body removal/installation work and the replacement of defective parts.

	LON	DESCRIPTION	FRT
E	3112A0	CARBURETOR-OVERHAUL INCLUDES: All necessary adjustment	0.4

(5) Other work

	LON	DESCRIPTION	FRT
E	1101E1	ENGINE OIL-CHANGE INCLUDES: Engine oil-inspection	0.1

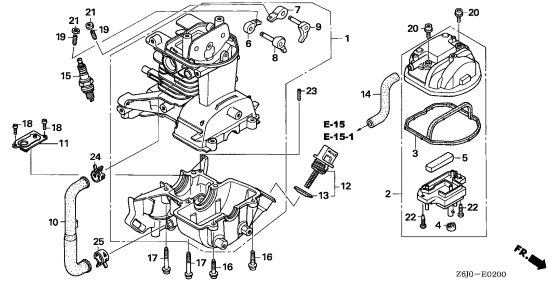
ENGINE GROUP

B13

E-2

CRANKCASE SET

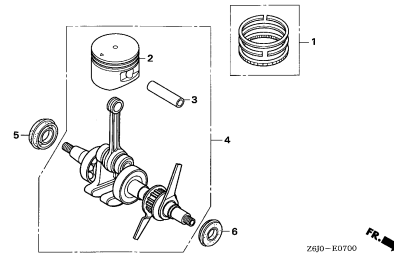
C 1



E-7

CRANKSHAFT/PISTON

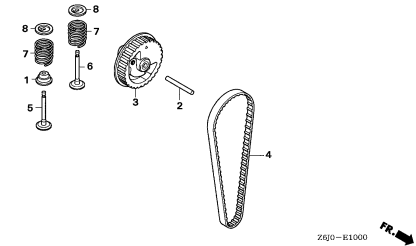
C 3



E-10

CAM PULLEY

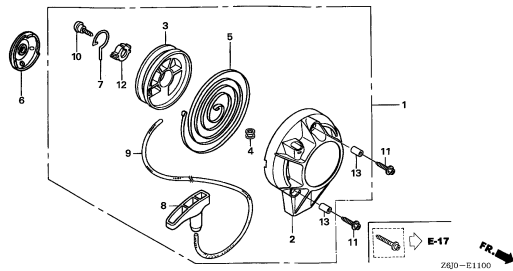
C 4



E-11

RECOIL STARTER

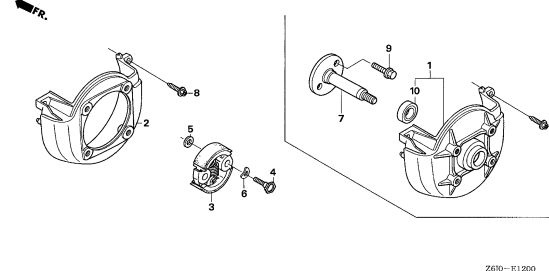
C 5



E-12

FAN COVER/CLUTCH

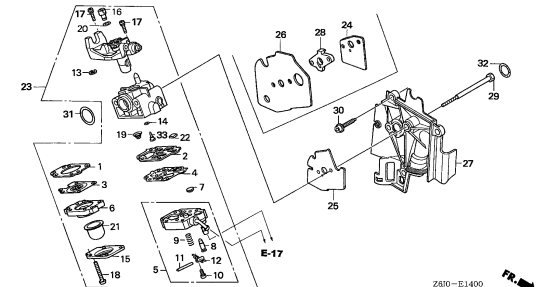
C 6



E-14

CARBURETOR

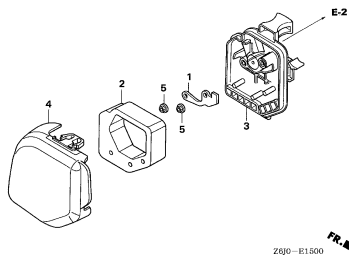
C 7



E-15

AIR CLEANER(1)

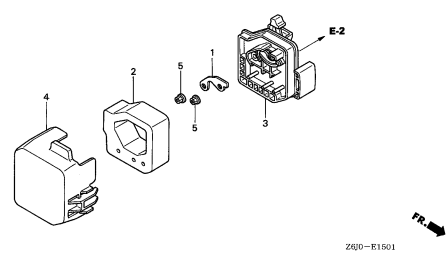
C 9



E-15-1

AIR CLEANER(2)

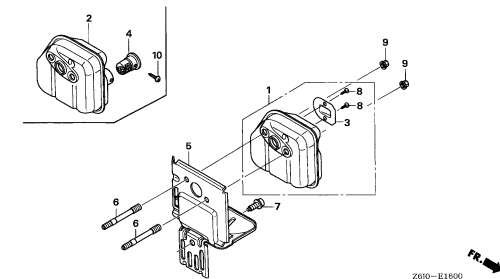
C10



E-16

MUFFLER

C11



2

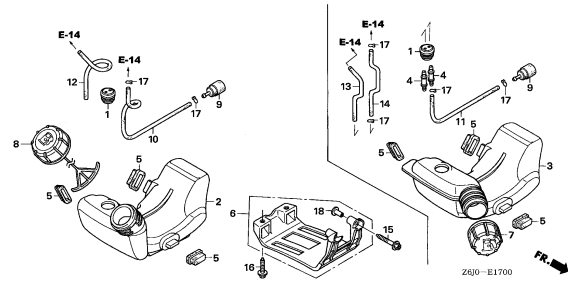
ENGINE GROUP

B14

E-17

FUEL TANK

C12



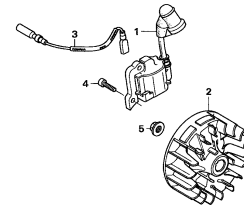
Z60-E1700



E-19

FLYWHEEL

C13



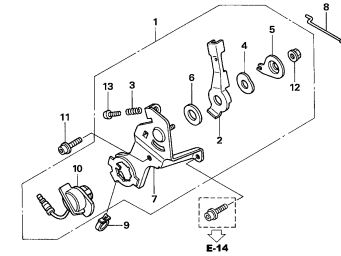
Z60-E1900



E-22

CONTROL

C14



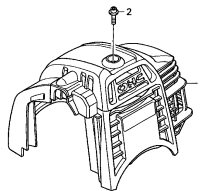
Z60-E2200



E-27

TOP COVER

C15



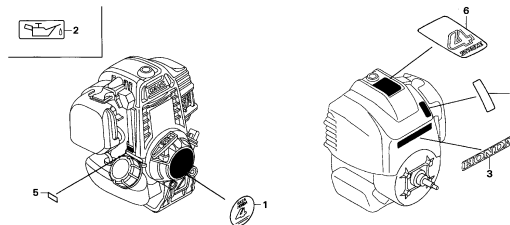
Z60-E2700



E-28

LABEL

C16

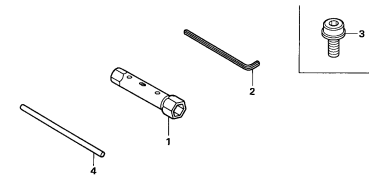


Z60-E2800

E-29

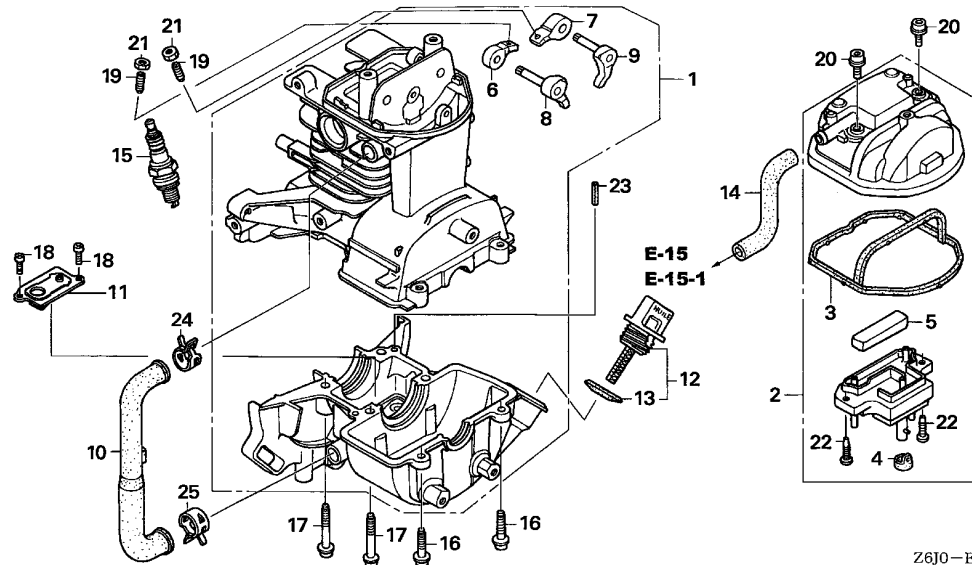
TOOL

D 1



Z60-E2900

2

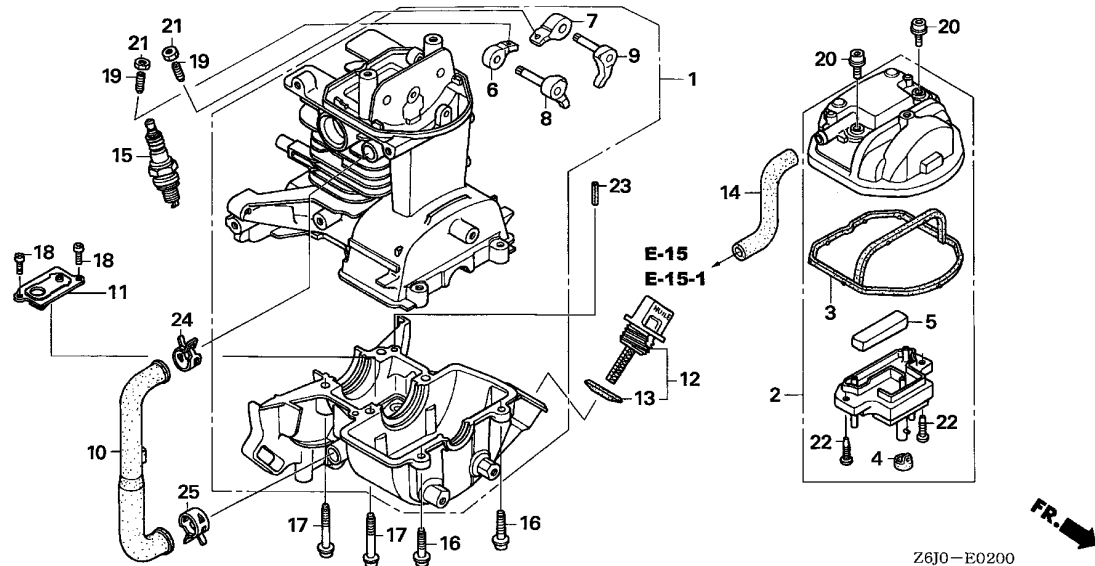


Z6J0-E0200

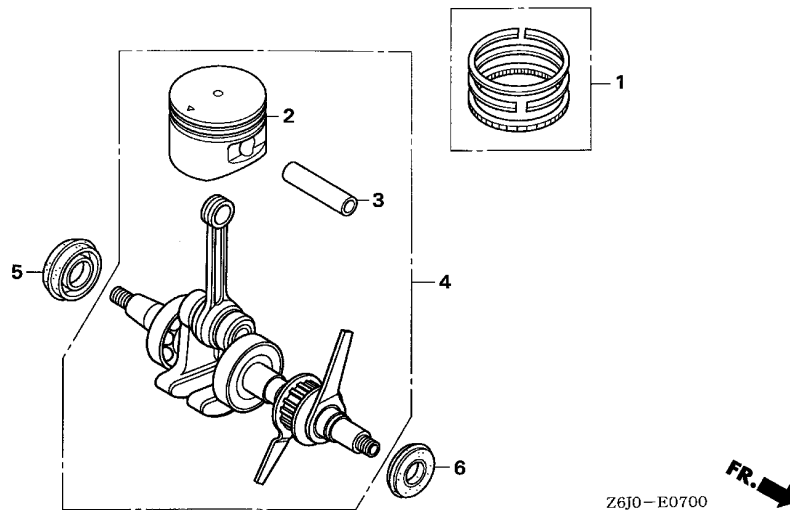
Ref. No.	L.O.N.	(Relative ref. Number) Description	F.R.T.
1	1101B7	CRANKCASE	1.5
2	1111D5	COVER, CYLINDER HEAD AND/OR PACKING, HEAD COVER	0.1
6	1111A2	ARM, ROCKER :INTAKE	0.6
7	1111A1	ARM, ROCKER :EXHAUST	0.6
8	1111L9	LIFTER, VALVE :INTAKE	0.6
9	1111M0	LIFTER, VALVE :EXHAUST	0.6
10	1171A4	TUBE, OIL	0.3
11	1171A2	PLATE, OIL OUTLET VALVE	1.1
14	1111K5	TUBE, BREATHER	0.1
15	6141C1	PLUG, SPARK	0.1

Ref. No.	Part No.	Description	Reqd. QTY		Serial No.	Parts catalogue code
			GX	NT		
1	10100-Z3E-405	CRANKCASE SET	1			
2	12310-Z0H-010	COVER, CYLINDER HEAD	1			
3	12312-Z0H-300	SEAL, HEAD COVER	1			
4	12314-Z0H-300	GROMMET, HEAD COVER	1			
5	12367-Z0H-000	FILTER, BREATHER	1			
6	14431-Z0H-003	ARM, IN. VALVE ROCKER	1			
7	14441-Z0H-003	ARM, EX. VALVE ROCKER	1			
8	14730-Z0H-000	LIFTER COMP., IN. VALVE	1			
9	14740-Z0H-000	LIFTER COMP., EX. VALVE	1			
10	15422-Z0H-000	TUBE, OIL	1			
11	15510-Z3E-000	PLATE ASSY., OIL OUTLET VALVE	1			
12	15600-Z0T-800	CAP ASSY., OIL FILLER	1			
13	15625-Z0T-800	PACKING, OIL FILLER CAP	1			
14	15721-Z0H-000	TUBE, BREATHER	1		----- SGT3,ST3,S3	
	15721-Z0H-800	1		----- SAM3,W3	
	15721-Z0H-820	1		----- T3	
15	31914-Z0H-003	PLUG, SPARK (CMR4H)(NGK)	(1)			
	31915-Z0H-003	PLUG, SPARK (CMR5H)(NGK)	1			
	31916-Z0H-003	PLUG, SPARK (CMR6H)(NGK)	(1)			
16	90009-Z0H-003	BOLT, SOCKET, 5X20	2			
17	90010-Z0H-003	BOLT, SOCKET, 5X30	4			
18	90013-Z0H-004	SCREW, PAN, 4X8	2			
19	90017-Z0H-000	SCREW, TAPPET ADJUSTING	2			
20	90019-Z0H-003	BOLT, SOCKET, 5X12	2			
21	90206-ZM3-000	NUT, TAPPET ADJUSTING	2			





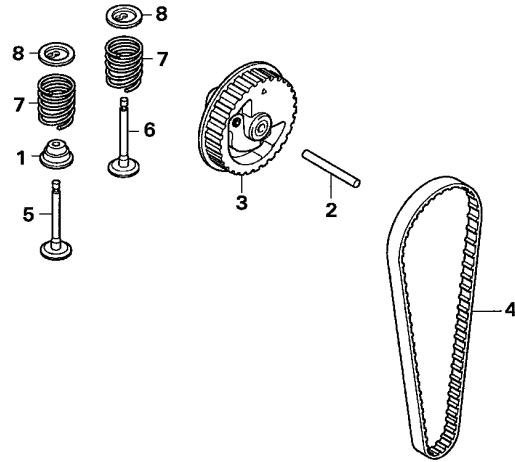
Ref. No.	Part No.	Description	Reqd. QTY		Serial No.	Parts catalogue code
			GX	NT		
22	93901-34320	SCREW, TAPPING, 4X12	2			
23	94305-40102	PIN, SPRING, 4X10	1			
24	95002-41200-08	CLAMP, TUBE (D12)	1			
25	95002-41300-04	CLAMP, TUBE (D13)	1			



Ref. No.	L.O.N.	(Relative ref. Number) Description	F.R.T.
1	(2,3)		
	1111J4	RING SET, PISTON	1.3
	1111J4F	.Replace 1 piston and/or pin and/or rod, connecting and/or bearing add	0.1
4	1101F0	CRANKSHAFT	1.2
5	1101E5	OIL SEAL, CRANKSHAFT :REAR ...	1.2
6	1101E4	OIL SEAL, CRANKSHAFT :FRONT ..	1.2

Ref. No.	Part No.	Description	Reqd. QTY		Serial No.	Parts catalogue code
			GX	NT		
1	13010-Z0H-000	RING SET, PISTON	1			
2	13101-Z0H-000	PISTON	1			
3	13111-Z0H-000	PIN, PISTON	1			
4	13310-Z0H-020	CRANKSHAFT COMP.	1		----- SAM3,SGT3,ST3,S3,T3	
	13310-Z0H-801	1		----- W3	
5	91211-Z3E-000	OIL SEAL, 12X24X5	1			
6	91212-Z3E-000	OIL SEAL, 10X20X5	1			

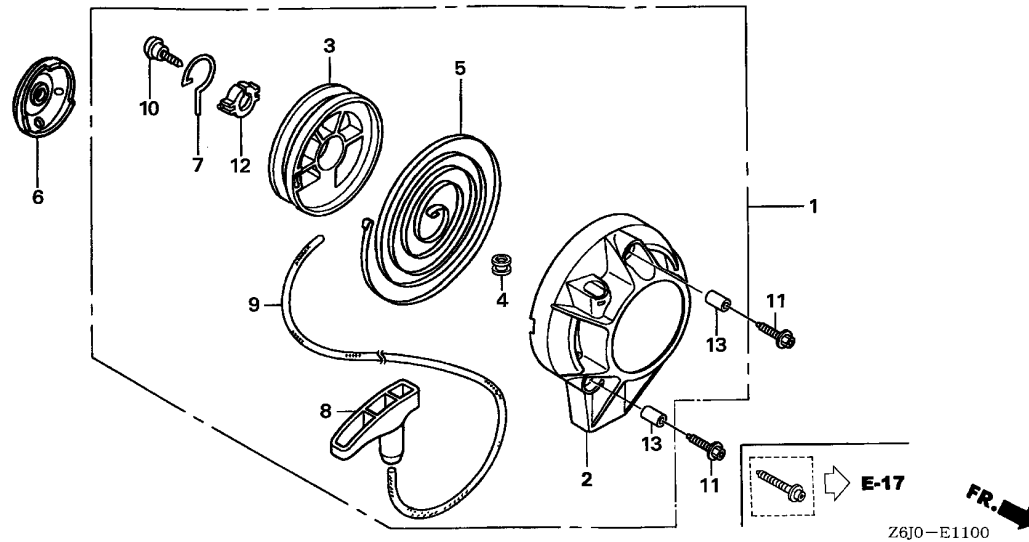




Z6J0-E1000

Ref. No.	L.O.N.	(Relative ref. Number) Description	F.R.T.
1	1111K2	SEAL, INTAKE VALVE STEM	1.2
3	1111N5	PULLEY, CAMSHAFT	0.4
4	1111N6	BELT, TIMING	1.2
5	1111L1	VALVE, INTAKE	1.3
		1111L1E .Replace intake and exhaust all add	0.1
6	1111L0	VALVE, EXHAUST	1.3
		1111L0E .Replace intake and exhaust all add	0.1
7	1111P3	SPRING, VALVE :INTAKE	1.2
		.INCLUDES: Valve clearance adjustment	
		1111P3A .Replace intake and exhaust all add	0.1
		1111P4 SPRING, VALVE :EXHAUST	1.2
		.INCLUDES: Valve clearance adjustment	
		1111P4A .Replace intake and exhaust all add	0.1

Ref. No.	Part No.	Description	Reqd. QTY		Serial No.	Parts catalogue code
			GX	NT		
1	12209-Z3E-000	SEAL, VALVE STEM	1			
2	14126-Z0H-003	ROLLER, 4X29.8	1			
3	14320-Z0H-010	PULLEY COMP., CAMSHAFT	1			
4	14400-Z0H-003	BELT, TIMING (71ZU6 G-300) ..	1			
5	14711-Z0H-800	VALVE, IN.	1			
6	14721-Z0H-800	VALVE, EX.	1			
7	14751-Z0H-000	SPRING, VALVE	2			
8	14771-Z0H-000	RETAINER, VALVE SPRING	2			

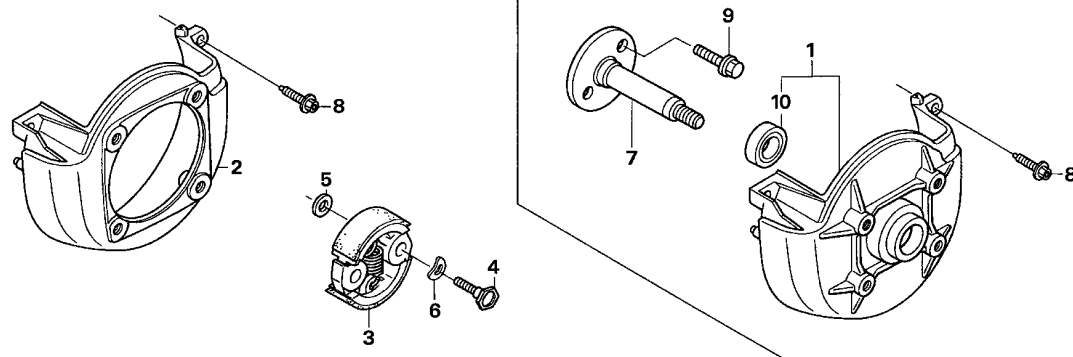


Ref. No.	L.O.N.	(Relative ref. Number) Description	F.R.T.
1	1121B9	STARTER, RECOIL	0.1
3	1121B1	REEL, RECOIL STARTER	0.3
5	1121B7	SPRING, RECOIL STARTER RETURN	0.3
6	1121A9	PULLEY, RECOIL STARTER	0.3
8	1121A3	GRIP, RECOIL STARTER	0.1
9	1121B3	ROPE, RECOIL STARTER	0.3

Ref. No.	Part No.	Description	Reqd. QTY		Serial No.	Parts catalogue code
			GX	NT		
1	28400-ZOH-003	STARTER ASSY., RECOIL	1			
2	28414-ZOH-003	CASE, RECOIL STARTER	1			
3	28421-ZOH-003	REEL, RECOIL STARTER	1			
4	28433-ZM3-003	GUIDE, ROPE	1			
5	28442-ZOH-003	SPRING, RECOIL STARTER	1			
6	28451-ZOH-003	PULLEY, RECOIL STARTER	1			
7	28459-ZOH-003	ARM, SWING	1			
8	28461-ZM3-003	KNOB, RECOIL STARTER	1			
9	28462-ZM3-003	ROPE, RECOIL STARTER	1			
10	90012-ZM3-003	SCREW, SETTING	1			
11	90018-ZOH-003	BOLT, SOCKET, 5X16	1		----- SGT3,ST3	
			3		----- SAM3,S3,T3,W3	
12	91504-ZM3-003	COLLAR	1			
13	91506-ZM3-000	COLLAR A, HEAD COVER	3			



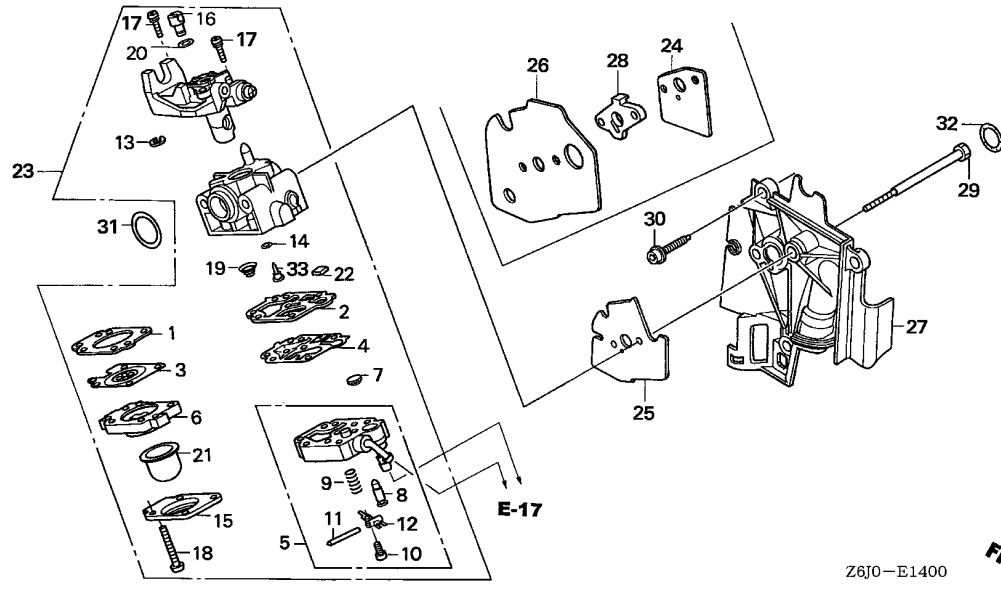
FR.



Z6J0-E1200

Ref. No.	L.O.N.	(Relative ref. Number) Description	F.R.T.
2	1141G8	COVER, ENGINE COOLING FAN	0.1
3	2121F7	CLUTCH, CENTRIFUGAL	0.3
7	2141H4	SHAFT, POWER TAKE OFF	0.3

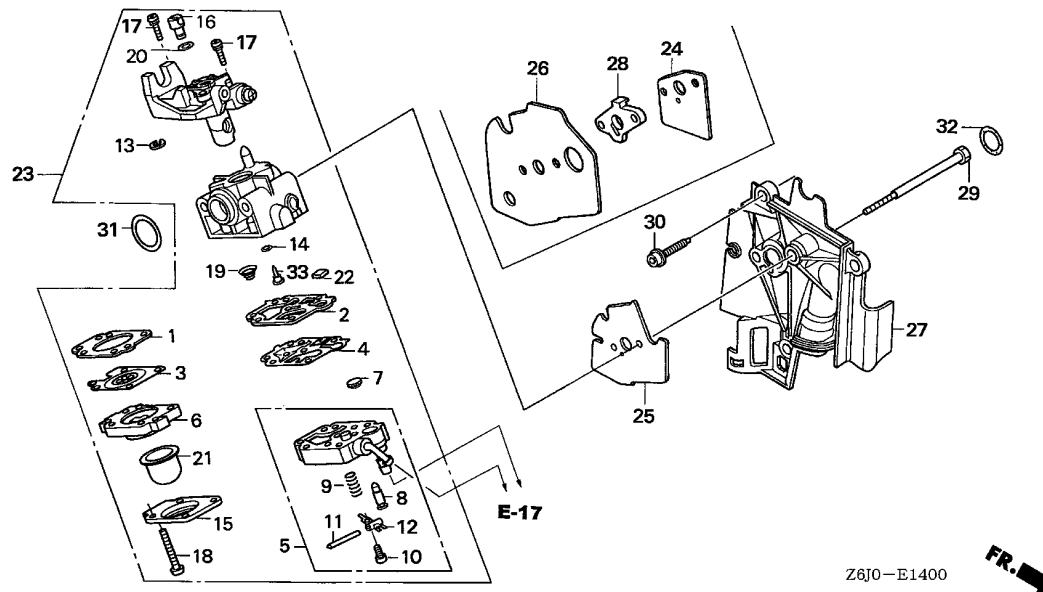
Ref. No.	Part No.	Description	Reqd. QTY		Serial No.	Parts catalogue code
			GX	NT		
1	19610-Z0H-801	COVER COMP., FAN	1	-----	-----	W3
2	19611-Z0H-000	COVER, FAN	1	-----	-----	SAM3,SGT3,ST3,S3,T3
3	22000-ZM3-003	CLUTCH ASSY.	1	-----	-----	SGT3,ST3,S3,T3
	22000-Z0H-U61	1	-----	-----	SAM3
4	22253-Z3E-U60	BOLT, CLUTCH (6MM)	2	-----	-----	SAM3
	22253-Z3E-000	2	-----	-----	SGT3,ST3,S3,T3
5	22254-Z3E-U60	WASHER, CLUTCH (6MM)	2	-----	-----	SAM3
	22254-Z3E-000	WASHER, CLUTCH (6X15)	2	-----	-----	SGT3,ST3,S3,T3
6	22255-Z3E-U60	WASHER, WAVE	2	-----	-----	SAM3
	22255-Z3E-000	WASHER, WAVE (8MM)	2	-----	-----	SGT3,ST3,S3,T3
7	40210-Z0H-800	SHAFT COMP., P.T.O.	1	-----	-----	W3
8	90009-Z0H-003	BOLT, SOCKET, 5X20	3	-----	-----	
9	96001-06022-00	BOLT, FLANGE, 6X22	2	-----	-----	W3
10	96150-60010-10	BEARING, RADIAL BALL, 6001UU	1	-----	-----	W3



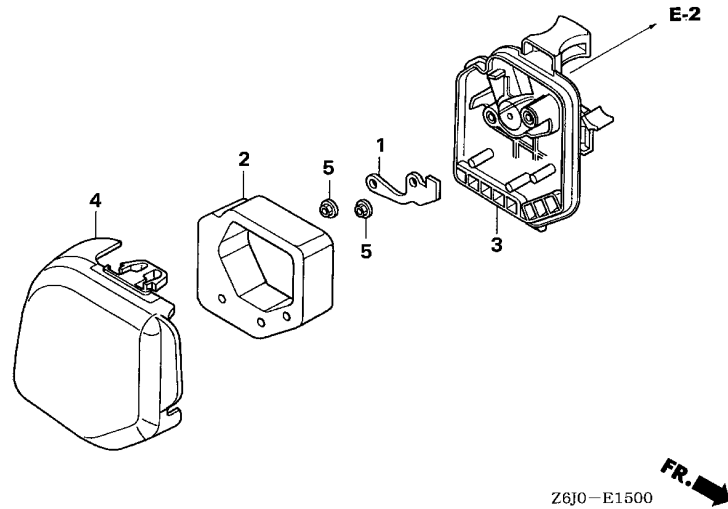
Ref. No.	L.O.N.	(Relative ref. Number) Description	F.R.T.
2	3111B7	(19,22) GASKET, CARBURETOR PUMP	0.4
5	3111A0	(4,7) BODY ASSEMBLY, PUMP	0.4
6	3111A1	BODY, AIR PURGE	0.3
8	3111E3	(9,11,12) VALVE, INLET NEEDLE	0.4
21	3111D5	PUMP, PRIMER	0.3
23	3111F3	CARBURETOR	0.2
25	3111C8	(24) PACKING, CARBURETOR	0.2
27	4141E3	SHROUD, ENGINE	0.2
28	4141E7	(26) SPACER, SHROUD	0.2
31	3111C7	O-RING, CARBURETOR BODY	0.1
33	3111C3	(14) JET, MAIN	0.4

Ref. No.	Part No.	Description	Reqd. QTY	Serial No.	Parts catalogue code
			GX 25 NT		
1	16010-ZM3-004	GASKET, METERING DIAPHRAGM ..	1		
2	16011-ZOH-013	GASKET, PUMP	1		
3	16013-ZOH-003	DIAPHRAGM ASSY., METERING ...	1		
4	16014-ZM3-004	DIAPHRAGM, PUMP	1		
5	16015-ZOH-013	BODY ASSY., PUMP	1		
6	16017-ZM3-004	BODY ASSY., AIR PURGE	1		
7	16018-ZM3-802	SCREEN, INLET	1		
8	16019-ZM3-004	VALVE, INLET NEEDLE	1		
9	16020-ZM3-004	SPRING, METERING LEVER	1		
10	16021-ZM3-004	SCREW, METERING LEVER PIN ...	1		
11	16022-ZM3-014	PIN, METERING LEVER	1		
12	16023-ZM3-004	LEVER, METERING	1		
13	16024-ZOH-003	RING, RETAINING	1		
14	16025-ZM3-004	O-RING	1		
15	16026-ZM3-004	COVER, PRIMER PUMP	1		
16	16027-ZM3-004	SWIVEL	1		
17	16028-ZM3-004	SCREW, THROTTLE COLLAR	2		
18	16029-ZM3-004	SCREW, PUMP COVER	4		
19	16030-ZM3-004	SPRING, PUMP	1		
20	16031-ZM3-004	WASHER	1		
21	16032-ZM3-004	PUMP, PRIMER	1		
22	16035-ZM3-802	FILTER, FUEL INLET	1		
23	16100-ZOH-043	CARBURETOR ASSY. (WYB 6D) ...	1	-----	SAM3,SGT3,ST3,S3
	16100-ZOH-825	CARBURETOR ASSY. (WYB 9B) ...	1	-----	T3
	16100-ZOH-844	CARBURETOR ASSY. (WYB 12B) ..	1	-----	W3





Ref. No.	Part No.	Description	Reqd. QTY		Serial No.	Parts catalogue code
			GX	NT		
24	16221-ZM3-000	PACKING, CARBURETOR	1		-----	SAM3,W3
25	16221-ZOH-000	PACKING, CARBURETOR	1		-----	SGT3,ST3,S3,T3
26	16222-ZOH-800	PACKING, SHROUD	1		-----	SAM3,W3
27	19631-ZOH-000	SHROUD	1		-----	
28	19632-ZOH-800	SPACER, SHROUD	1		-----	SAM3,W3
29	90014-ZOH-003	BOLT, 5X53	2		-----	SGT3,ST3,S3,T3
	90014-ZOH-801	BOLT, 5X59	2		-----	SAM3,W3
30	90018-ZOH-003	BOLT, SOCKET, 5X16	3		-----	
31	91301-ZM3-000	O-RING, 14.8X2.4	1		-----	
32	91308-Z3E-000	O-RING, 12.3X2.4	1		-----	
33	99101-ZM5-0330	JET (#33)	(1)		-----	
	99101-ZM5-0340	JET (#34)	1		-----	
	99101-ZOH-0320	JET (#32)	(1)		-----	



Ref. No.	L.O.N.	(Relative ref. Number) Description	F.R.T.
2	3121B8	ELEMENT, AIR CLEANER	0.1
3	3121A5	CASE, AIR CLEANER	0.1
4	3121B1	COVER, AIR CLEANER	0.1

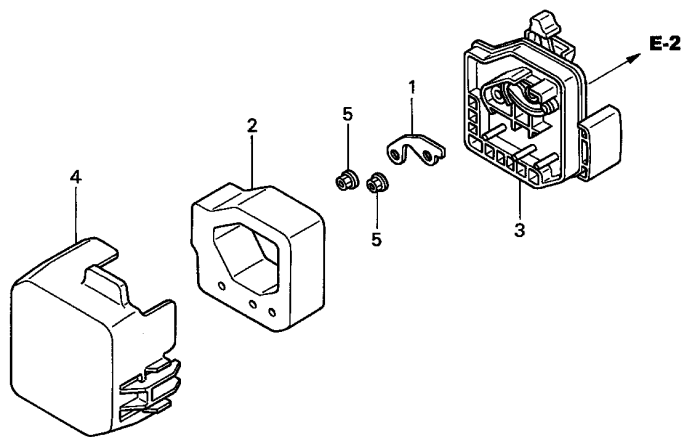
Ref. No.	Part No.	Description	Reqd. QTY		Serial No.	Parts catalogue code
			GX	NT		
1	17204-ZOH-000	PLATE, OIL TRAP	1	-----	-----	SAM3,SGT3,ST3,S3,W3
2	17211-ZOH-000	ELEMENT, AIR CLEANER	1	-----	-----	SAM3,SGT3,ST3,S3,W3
3	17220-ZOH-000	CASE COMP., AIR CLEANER	1	-----	-----	SAM3,SGT3,ST3,S3,W3
4	17231-ZOH-000	COVER, AIR CLEANER	1	-----	-----	SAM3,SGT3,ST3,S3,W3
5	94050-05000	NUT, FLANGE, 5MM	2	-----	-----	SAM3,SGT3,ST3,S3,W3



E-15-1

AIR CLEANER(2)

C10

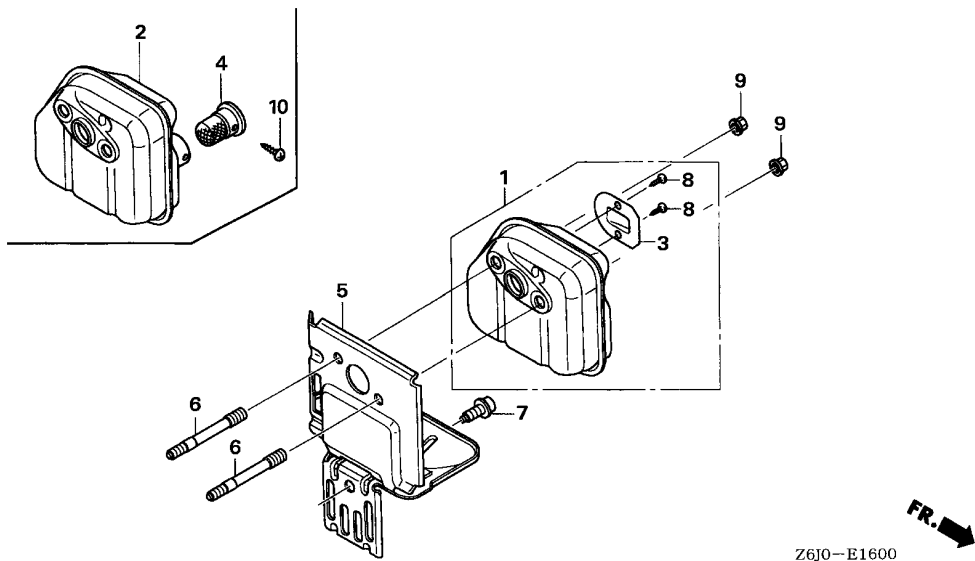


Z6J0-E1501

Ref. No.	L.O.N.	(Relative ref. Number) Description	F.R.T.
2	3121B8	ELEMENT, AIR CLEANER	0.1
3	3121A5	CASE, AIR CLEANER	0.1
4	3121B1	COVER, AIR CLEANER	0.1

Ref. No.	Part No.	Description	Reqd. QTY		Serial No.	Parts catalogue code
			GX	NT		
1	17204-ZOH-800	PLATE, OIL TRAP	1	-----	-----	T3
2	17211-ZOH-800	ELEMENT, AIR CLEANER	1	-----	-----	T3
3	17220-ZOH-802	CASE COMP., AIR CLEANER	1	-----	-----	T3
4	17231-ZOH-801	COVER, AIR CLEANER	1	-----	-----	T3
5	94050-05000	NUT, FLANGE, 5MM	2	-----	-----	T3

2



Ref. No.	L.O.N.	(Relative ref. Number) Description	F.R.T.
1		(2)	
3131C5		MUFFLER, EXHAUST	0.1
3		(4)	
3131A1		ARRESTER, SPARK	0.1
5		3131B6 GUIDE, AIR EXHAUST	0.1

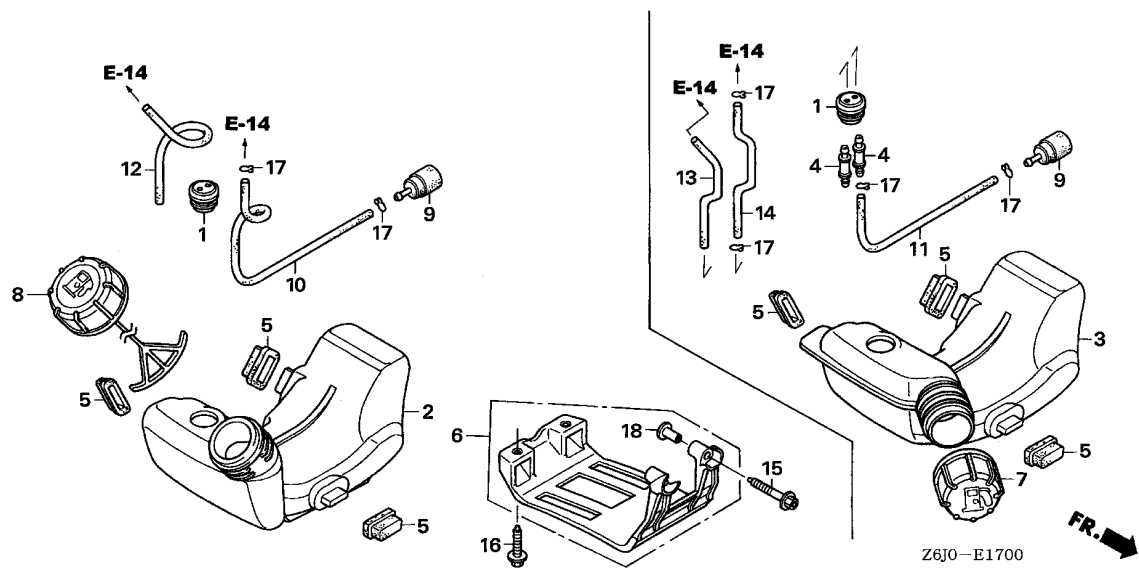
Ref. No.	Part No.	Description	Reqd. QTY	Serial No.	Parts catalogue code
			GX 25 NT		
1	18310-ZOH-800	MUFFLER COMP.	1	-----	SAM3,SGT3,ST3,S3,W3
2	18310-ZOH-840	MUFFLER COMP. (ARRESTER)	1	-----	T3
3	18350-ZOH-800	ARRESTER COMP., SPARK	1	-----	SAM3,SGT3,ST3,S3,W3
4	18350-ZOH-820	ARRESTER COMP., SPARK	1	-----	T3
5	18515-ZOH-000	GUIDE, AIR EX.	1	-----	
6	90001-ZOH-003	BOLT, STUD, 2.5X42	2	-----	
7	90011-ZOH-003	BOLT, SOCKET, 5X10(CT)	1	-----	
8	90055-ZE1-000	SCREW, TAPPING, 4X6	2	-----	SAM3,SGT3,ST3,S3,W3
9	90136-SM4-901	NUT, SELF-LOCK, 5MM	2	-----	
10	93901-22010	SCREW, TAPPING, 3X6	1	-----	T3



E-17

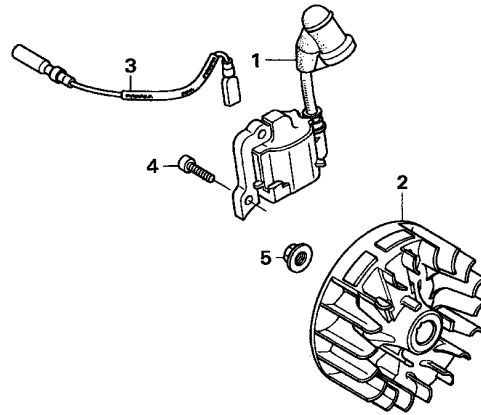
FUEL TANK

C12



Ref. No.	L.O.N.	(Relative ref. Number) Description	F.R.T.
1	3101J0	GROMMET, FUEL TUBE	0.2
2	3101H7	TANK, FUEL	0.2
6	3101A9	GUARD, TANK	0.1
9	3101A6	FILTER, FUEL	0.2
10	3101F1	TUBE, FUEL TANK	0.2

Ref. No.	Part No.	Description	Reqd. QTY		Serial No.	Parts catalogue code
			GX	NT		
1	17504-ZM3-003	GROMMET, FUEL TUBE	1			
2	17511-ZOH-023	TANK, FUEL	1		SAM3,SGT3,ST3,S3,W3	
3	17511-ZOH-823	TANK, FUEL	1		T3	
4	17519-ZM5-003	FITTING	2		T3	
5	17533-ZOH-000	RUBBER, TANK MOUNTING	3			
6	17555-ZOH-010	GUARD, TANK	1		SGT3,ST3	
7	17620-ZM3-053	CAP ASSY., FUEL TANK	1		T3	
8	17620-ZM3-816	CAP ASSY., FUEL TANK	1		SAM3,SGT3,ST3,S3,W3	
9	17672-ZOH-003	FILTER, FUEL	1			
10	17701-ZOH-003	TUBE, FUEL TANK	1		SAM3,SGT3,ST3,S3,W3	
11	17701-ZOH-820	TUBE, FUEL TANK	1		T3	
12	17702-ZOH-003	TUBE, FUEL RETURN	1		SAM3,SGT3,ST3,S3,W3	
13	17702-ZOH-820	TUBE, FUEL RETURN	1		T3	
14	17703-ZOH-820	TUBE A, FUEL	1		T3	
15	90010-ZOH-003	BOLT, SOCKET, 5X30	2		SGT3,ST3	
16	90018-ZOH-003	BOLT, SOCKET, 5X16	2		SGT3,ST3	
17	91401-ZM3-003	CLIP, TUBE	2		SAM3,SGT3,ST3,S3,W3	
			4		T3	
18	91501-ZOH-000	COLLAR, TANK GUARD	2		SGT3,ST3	

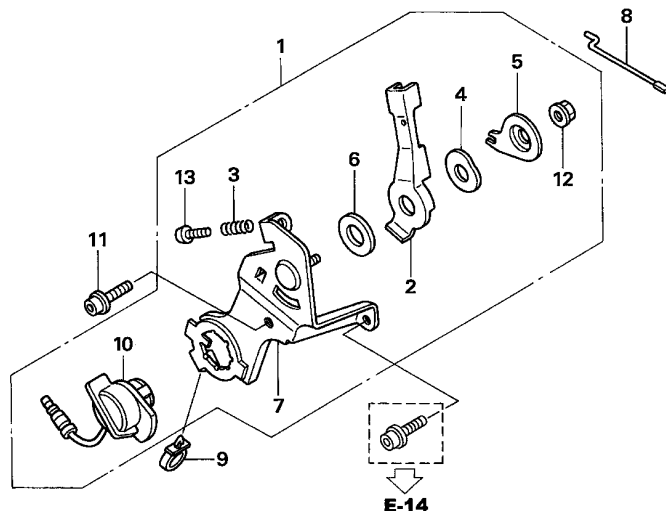


Z6J0-E1900

Ref. No.	L.O.N.	(Relative ref. Number) Description	F.R.T.
1	6141A5	COIL, IGNITION(ONE)	0.1
2	2161B5	FLYWHEEL	0.3
3	6111B3	CORD, STOP SWITCH	0.1

Ref. No.	Part No.	Description	Reqd. QTY		Serial No.	Parts catalogue code
			GX	NT		
1	30500-Z3E-003	COIL ASSY., IGNITION	1			
2	31110-Z3E-003	FLYWHEEL COMP.	1		----- SAM3,SGT3,ST3,S3,T3	
	31110-Z3E-811	1		----- W3	
3	32195-Z0H-000	CORD, STOP SWITCH	1			
4	90012-Z0H-005	BOLT, SOCKET, 4X14	2			
5	90355-427-770	NUT, FLANGE, 7MM	1			

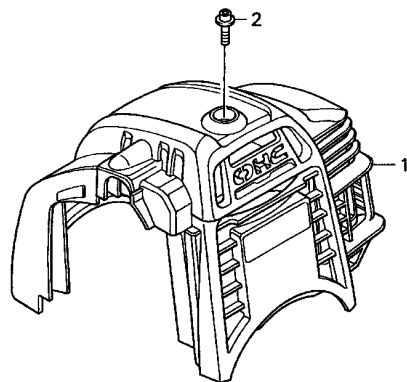




Z6J0-E2200

Ref. No.	L.O.N.	(Relative ref. Number) Description	F.R.T.
1	1161A5	CONTROL, THROTTLE/GOVERNOR ...	0.2
2	1161A8	LEVER, CONTROL	0.3
7	1161A2	BASE, CONTROL	0.3
10	6151D9	SWITCH, ENGINE STOP	0.1

Ref. No.	Part No.	Description	Reqd. QTY		Serial No.	Parts catalogue code
			GX	NT		
1	16500-ZOH-801	CONTROL ASSY.	1	-----	-----	W3
2	16571-ZOH-800	LEVER, CONTROL	1	-----	-----	W3
3	16571-892-000	SPRING, CONTROL ADJUSTING ...	1	-----	-----	W3
4	16574-ZE1-000	SPRING, LEVER	1	-----	-----	W3
5	16575-ZH8-000	WASHER, CONTROL LEVER	1	-----	-----	W3
6	16578-ZE1-000	SPACER, CONTROL LEVER	1	-----	-----	W3
7	16580-ZOH-800	BASE COMP., CONTROL	1	-----	-----	W3
8	17841-ZOH-800	ROD, THROTTLE	1	-----	-----	W3
9	30701-883-000	CLIP, HIGH TENSION CORD (8MM)	1	-----	-----	W3
10	35120-ZOD-V81	SWITCH ASSY., ENGINE STOP ...	1	-----	-----	W3
11	90011-ZOH-801	BOLT, SOCKET, 5X10	1	-----	-----	W3
12	90114-SAO-000	NUT, SELF-LOCK, 6MM	1	-----	-----	W3
13	93500-05025-0A	SCREW, PAN, 5X25	1	-----	-----	W3



Z6J0-E2700

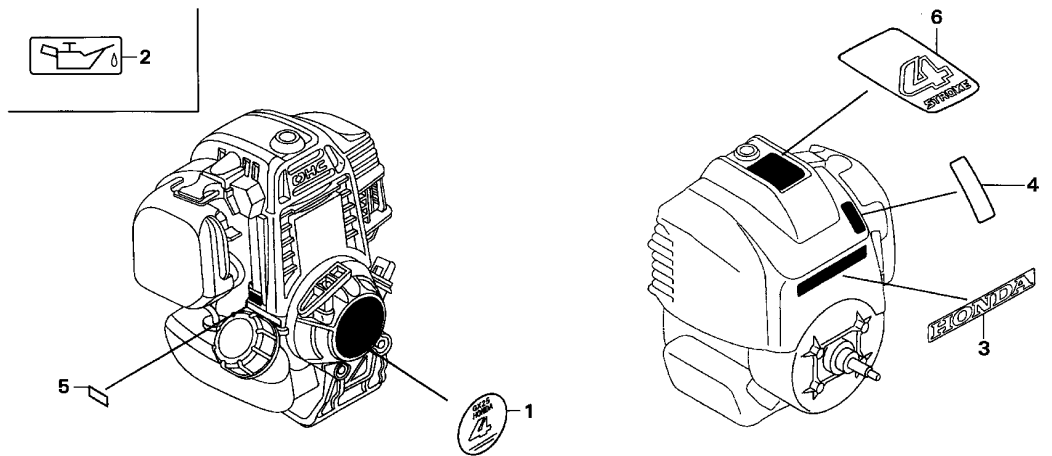


Ref. No.	L.O.N. (Relative ref. Number)	Description	F.R.T.
----------	-------------------------------	-------------	--------

1	1111D6	COVER, ENGINE TOP	0.1
---	--------	-------------------------	-----

Ref. No.	Part No.	Description	Reqd. QTY		Serial No.	Parts catalogue code
			GX	NT		
1	19720-Z0H-000ZB	COVER COMP., TOP				
	R280POWER RED	1	-----	-----	SAM3,ST3,S3,W3
	19720-Z0H-000ZC	*T92*.....STIGA YELLOW	1	-----	-----	SGT3
	19720-Z0H-800ZA	*R280*.....POWER RED	1	-----	-----	T3
2	90015-Z0H-003	BOLT, TOP COVER				



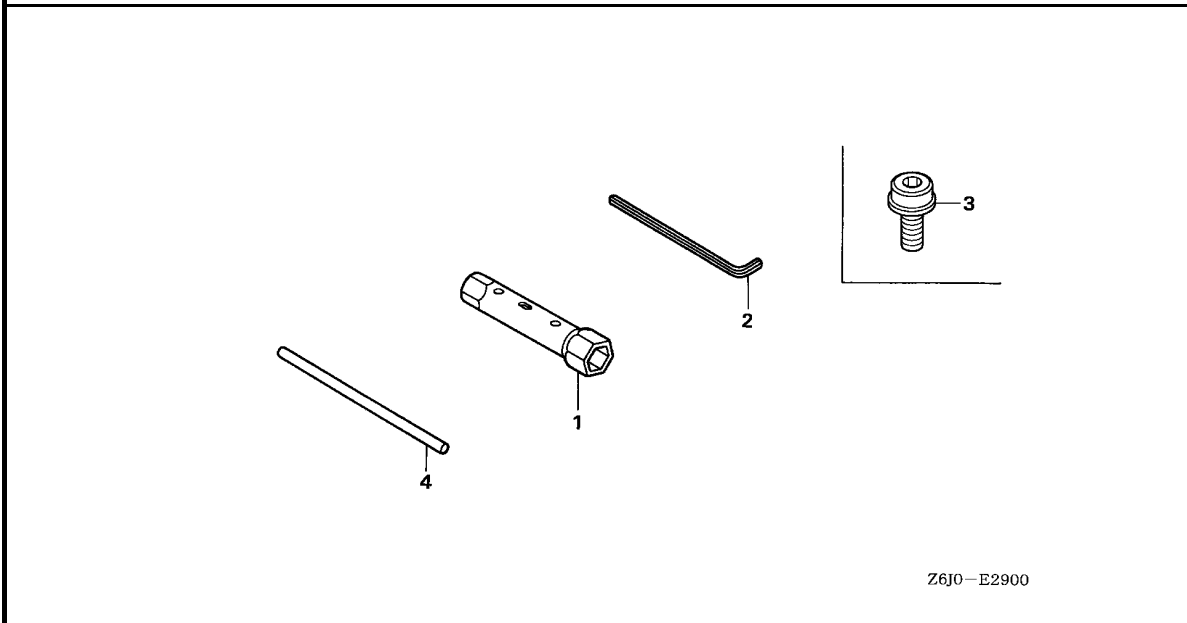


Z6J0-E2800

Ref. L.O.N. (Relative ref. Number) F.R.T.
No. Description

NO INFORMATION

Ref. No.	Part No.	Description	Reqd. QTY		Serial No.	Parts catalogue code
			GX	NT		
1	87521-Z3E-000	MARK, EMBLEM	1			
2	87531-YE9-000	MARK, OIL CAUTION	(1)		T3,W3	
3	87531-Z0H-000	MARK, HONDA	1		SAM3,ST3,S3	
4	87532-ZH7-000	MARK, THROTTLE INDICATION ...	1		W3	
5	87601-Z4A-000	MARK, TYPE (S3)	1		S3	
	87601-Z4A-800	MARK, TYPE (ST3)	1		ST3	
	87601-Z4A-810	MARK, TYPE (SAM3)	1		SAM3	
	87601-Z4A-820	MARK, TYPE (SGT3)	1		SGT3	
	87601-Z4A-830	MARK, TYPE (T3)	1		T3	
	87601-Z4A-840	MARK, TYPE (W3)	1		W3	
6	87660-Z0H-000	MARK (4-STROKE)	1		SAM3,SGT3,ST3,S3,W3	



Z6J0-E2900

Ref. L.O.N. (Relative ref. Number) F.R.T.
No. Description

NO INFORMATION

Ref. No.	Part No.	Description	Reqd. QTY	Serial No.	Parts catalogue code
			GX 25 NT		
1	89216-045-010	WRENCH, SPARK PLUG	(1)		
2	89221-KW3-000	WRENCH, HEX., 4MM	(1)		
3	90011-Z0H-811	BOLT, SOCKET, 5X9	(1)	-----	SGT3,ST3,S3,T3
4	99005-01000	BAR A, HANDLE	(1)		



PART NO. INDEX

E 1

Part Number	Address	Page	Ref.	Part Number	Address	Page	Ref.	Part Number	Address	Page	Ref.	Part Number	Address	Page	Ref.	Part Number	Address	Page	Ref.
10000				16025-ZM3-004	C7	21	14	19000				87000				93000			
10100-Z3E-405	C1	15	1	16026-ZM3-004	C7	21	15	19610-ZOH-801	C6	20	1	87521-Z3E-000	C16	30	1	93500-05025-0A	C14	28	13
12000				16027-ZM3-004	C7	21	16	19611-ZOH-000	C6	20	2	87531-YE9-000	C16	30	2	93901-22010	C11	25	10
12209-Z3E-000	C4	18	1	16028-ZM3-004	C7	21	17	19631-ZOH-000	C8	22	27	87531-ZOH-000	C16	30	3	93901-34320	C2	16	22
12310-ZOH-010	C1	15	2	16030-ZM3-004	C7	21	18	19632-ZOH-800	C8	22	28	87532-ZH7-000	C16	30	4	94000			
12312-ZOH-300	C1	15	3	16031-ZM3-004	C7	21	19	19720-ZOH-000ZB	C15	29	1	87601-Z4A-000	C16	30	5	94050-05000	C9	23	5
12314-ZOH-300	C1	15	4	16032-ZM3-004	C7	21	20	19720-ZOH-000ZC	C15	29	1	87601-Z4A-800	C16	30	5		C10	24	5
12367-ZOH-000	C1	15	5	16035-ZM3-802	C7	21	21	19720-ZOH-800ZA	C15	29	1	87601-Z4A-810	C16	30	5	94305-40102	C2	16	23
13000				16100-ZOH-043	C7	21	22	22000				87601-Z4A-820	C16	30	5	95000			
13010-ZOH-000	C3	17	1	16100-ZOH-825	C7	21	23	22000-ZOH-U61	C6	20	3	87601-Z4A-830	C16	30	5	95002-41200-08	C2	16	24
13101-ZOH-000	C3	17	2	16100-ZOH-844	C7	21	23	22000-ZM3-003	C6	20	3	87660-ZOH-000	C16	30	6	95002-41300-04	C2	16	25
13111-ZOH-000	C3	17	3	16221-ZOH-000	C8	22	25	22253-Z3E-000	C6	20	4	89000			96000				
13310-ZOH-020	C3	17	4	16221-ZM3-000	C8	22	24	22253-Z3E-U60	C6	20	4	89216-045-010	D1	31	1	96001-06022-00	C6	20	9
13310-ZOH-020	C3	17	4	16222-ZOH-800	C8	22	26	22254-Z3E-000	C6	20	5	89221-KW3-000	D1	31	2	96150-60010-10	C6	20	10
13310-ZOH-801	C3	17	4	16500-ZOH-801	C14	28	1	22254-Z3E-U60	C6	20	5	90000			99000				
14000				16571-892-000	C14	28	3	22254-Z3E-U60	C6	20	5	90001-ZOH-003	C11	25	6	99005-01000	D1	31	4
14126-ZOH-003	C4	18	2	16571-ZOH-800	C14	28	2	22255-Z3E-000	C6	20	6	90009-ZOH-003	C1	15	16	99101-ZOH-0320	C8	22	33
14320-ZOH-010	C4	18	3	16574-ZE1-000	C14	28	4	22255-Z3E-U60	C6	20	6	90010-ZOH-003	C1	15	17	99101-ZM5-0330	C8	22	33
14400-ZOH-003	C4	18	4	16575-ZH8-000	C14	28	5	28000				90011-ZOH-003	C11	25	7	99101-ZM5-0340	C8	22	33
14431-ZOH-003	C1	15	6	16578-ZE1-000	C14	28	6	28400-ZOH-003	C5	19	1	90011-ZOH-801	C14	28	11				
14441-ZOH-003	C1	15	7	16580-ZOH-800	C14	28	7	28414-ZOH-003	C5	19	2	90011-ZOH-811	D1	31	3				
14711-ZOH-800	C4	18	5	17000				28421-ZOH-003	C5	19	3	90012-ZOH-005	C13	27	4				
14721-ZOH-800	C4	18	6	17204-ZOH-000	C9	23	1	28433-ZM3-003	C5	19	4	90012-ZM3-003	C5	19	10				
14730-ZOH-000	C1	15	8	17204-ZOH-800	C10	24	1	28442-ZOH-003	C5	19	5	90013-ZOH-004	C1	15	18				
14740-ZOH-000	C1	15	9	17211-ZOH-000	C9	23	2	28451-ZOH-003	C5	19	6	90014-ZOH-003	C8	22	29				
14751-ZOH-000	C4	18	7	17211-ZOH-800	C10	24	2	28459-ZOH-003	C5	19	7	90014-ZOH-801	C8	22	29				
14771-ZOH-000	C4	18	8	17220-ZOH-000	C9	23	3	28461-ZM3-003	C5	19	8	90015-ZOH-003	C15	29	2				
15000				17220-ZOH-802	C10	24	3	28462-ZM3-003	C5	19	9	90017-ZOH-000	C1	15	19				
15422-ZOH-000	C1	15	10	17231-ZOH-000	C9	23	4	30000				90018-ZOH-003	C5	19	11				
15510-Z3E-000	C1	15	11	17231-ZOH-801	C10	24	4	30500-Z3E-003	C13	27	1		C8	22	30				
15600-ZOT-800	C1	15	12	17504-ZM3-003	C12	26	1	30701-883-000	C14	28	9		C12	26	16				
15625-ZOT-800	C1	15	13	17511-ZOH-023	C12	26	2	31000				90019-ZOH-003	C1	15	20				
15721-ZOH-000	C1	15	14	17511-ZOH-823	C12	26	3	31110-Z3E-003	C13	27	2	90055-ZE1-000	C11	25	8				
15721-ZOH-800	C1	15	14	17511-ZOH-823	C12	26	3	31110-Z3E-811	C13	27	2	90114-SA0-000	C14	28	12				
15721-ZOH-820	C1	15	14	17519-ZM5-003	C12	26	4	31914-ZOH-003	C1	15	15	90136-SM4-901	C11	25	9				
16000				17533-ZOH-000	C12	26	5	31915-ZOH-003	C1	15	15	90206-ZM3-000	C1	15	21				
16010-ZM3-004	C7	21	1	17555-ZOH-010	C12	26	6	31916-ZOH-003	C1	15	15	90355-427-770	C13	27	5				
16011-ZOH-013	C7	21	2	17620-ZM3-053	C12	26	7	32000				91000							
16013-ZOH-003	C7	21	3	17620-ZM3-816	C12	26	8	32195-ZOH-000	C13	27	3	91211-Z3E-000	C3	17	5				
16014-ZM3-004	C7	21	4	17672-ZOH-003	C12	26	9	35000				91212-Z3E-000	C3	17	6				
16015-ZOH-013	C7	21	5	17701-ZOH-003	C12	26	10	35120-ZOH-V81	C14	28	10	91301-ZM3-000	C8	22	31				
16017-ZM3-004	C7	21	6	17701-ZOH-820	C12	26	11	40000				91308-Z3E-000	C8	22	32				
16018-ZM3-802	C7	21	7	17702-ZOH-003	C12	26	12	40210-ZOH-800	C6	20	7	91401-ZM3-003	C12	26	17				
16019-ZM3-004	C7	21	8	17702-ZOH-820	C12	26	13					91501-ZOH-000	C12	26	18				
16020-ZM3-004	C7	21	9	17703-ZOH-820	C12	26	14					91504-ZM3-003	C5	19	12				
16021-ZM3-004	C7	21	10	17841-ZOH-800	C14	28	8					91506-ZM3-000	C5	19	13				
16022-ZM3-014	C7	21	11	18000															
16023-ZM3-004	C7	21	12	18310-ZOH-800	C11	25	1												
16024-ZOH-003	C7	21	13	18310-ZOH-840	C11	25	2												

PART NAME INDEX

F 1

Part name	Address	Page	Ref.	Part name	Address	Page	Ref.	Part name	Address	Page	Ref.
[A]								[N]			
ARM, EX. VALVE ROCKER	C1	15	7	COVER, CYLINDER HEAD	C1	15	2	NUT, FLANGE, 5MM	C9	23	5
ARM, IN. VALVE ROCKER	C1	15	6	COVER, FAN	C6	20	2	NUT, FLANGE, 7MM	C10	24	5
ARM, SWING	C5	19	7	COVER, PRIMER PUMP	C7	21	15	NUT, SELF-LOCK, 5MM	C11	25	9
ARRESTER COMP., SPARK	C11	25	3	CRANKCASE SET	C1	15	1	NUT, SELF-LOCK, 6MM	C14	28	12
			4	CRANKSHAFT COMP.	C3	17	4	NUT, TAPPET ADJUSTING	C1	15	21
[B]				[D]							
BAR A, HANDLE	D1	31	4	DIAPHRAGM ASSY., METERING	C7	21	3				
BASE COMP., CONTROL	C14	28	7	DIAPHRAGM, PUMP	C7	21	4				
BEARING, RADIAL BALL, 6001UU	C6	20	10	[E]							
BELT, TIMING	C4	18	4	ELEMENT, AIR CLEANER	C9	23	2				
BODY ASSY., AIR PURGE	C7	21	6		C10	24	2				
BODY ASSY., PUMP	C7	21	5	[F]							
BOLT, 5X53	C8	22	29	FILTER, BREATHER	C1	15	5				
BOLT, 5X59	C8	22	29	FILTER, FUEL	C12	26	9				
BOLT, CLUTCH	C6	20	4	FILTER, FUEL INLET	C7	21	22				
BOLT, FLANGE, 6X22	C6	20	9	FITTING	C12	26	4				
BOLT, SOCKET, 4X14	C13	27	4	FLYWHEEL COMP.	C13	27	2				
BOLT, SOCKET, 5X10	C11	25	7	[G]							
	C14	28	11	GASKET, METERING DIAPHRAGM	C7	21	1				
BOLT, SOCKET, 5X12	C1	15	20	GASKET, PUMP	C7	21	2				
BOLT, SOCKET, 5X16	C5	19	11	GROMMET, FUEL TUBE	C12	26	1				
	C8	22	30	GROMMET, HEAD COVER	C1	15	4				
	C12	26	16	GUARD, TANK	C12	26	6				
BOLT, SOCKET, 5X20	C1	15	16	GUIDE, AIR EX.	C11	25	5				
	C6	20	8	GUIDE, ROPE	C5	19	4				
BOLT, SOCKET, 5X30	C1	15	17	[J]							
	C12	26	15	JET	C8	22	33				
BOLT, SOCKET, 5X9	D1	31	3	[K]							
BOLT, STUD, 2.5X42	C11	25	6	KNOB, RECOIL STARTER	C5	19	8				
BOLT, TOP COVER	C15	29	2	[L]							
[C]											
CAP ASSY., FUEL TANK	C12	26	7	LEVER, CONTROL	C14	28	2				
			8	LEVER, METERING	C7	21	12				
CAP ASSY., OIL FILLER	C1	15	12	LIFTER COMP., EX. VALVE	C1	15	9				
CARBURETOR ASSY.	C7	21	23	LIFTER COMP., IN. VALVE	C1	15	8				
CASE COMP., AIR CLEANER	C9	23	3	[M]							
	C10	24	3	MARK	C16	30	6				
CASE, RECOIL STARTER	C5	19	2	MARK, EMBLEM	C16	30	1				
CLAMP, TUBE	C2	16	24	MARK, HONDA	C16	30	3				
			25	MARK, OIL CAUTION	C16	30	2				
CLIP, HIGH TENSION CORD	C14	28	9	MARK, THROTTLE INDICATION	C16	30	4				
CLIP, TUBE	C12	26	17	MARK, TYPE	C16	30	5				
CLUTCH ASSY.	C6	20	3	MUFFLER COMP.	C11	25	1				
COIL ASSY., IGNITION	C13	27	1		C10	24	4				
COLLAR	C5	19	12	[P]							
COLLAR A, HEAD COVER	C5	19	13	PACKING, CARBURETOR	C8	22	24				
COLLAR, TANK GUARD	C12	26	18				25				
CONTROL ASSY.	C14	28	1	PACKING, OIL FILLER CAP	C1	15	13				
CORD, STOP SWITCH	C13	27	3	PACKING, SHROUD	C8	22	26				
COVER COMP., FAN	C6	20	1	PIN, METERING LEVER	C7	21	11				
COVER COMP., TOP	C15	29	1	PIN, PISTON	C3	17	3				
COVER, AIR CLEANER	C9	23	4	PIN, SPRING, 4X10	C2	16	23				
	C10	24	4	PISTON	C3	17	2				
[N]											
[O]											
[P]											
[R]											
[S]											
[T]											
[U]											
[V]											
[W]											
[X]											
[Y]											
[Z]											

4

PART NAME INDEX

Part name	Address	Page	Ref.	Part name	Address	Page	Ref.	Part name	Address	Page	Ref.
SEAL, HEAD COVER	C1	15	3								
SEAL, VALVE STEM	C4	18	1								
SHAFT COMP., P.T.O.	C6	20	7								
SHROUD	C8	22	27								
SPACER, CONTROL LEVER	C14	28	6								
SPACER, SHROUD	C8	22	28								
SPRING, CONTROL ADJUSTING	C14	28	3								
SPRING, LEVER	C14	28	4								
SPRING, METERING LEVER	C7	21	9								
SPRING, PUMP	C7	21	19								
SPRING, RECOIL STARTER	C5	19	5								
SPRING, VALVE	C4	18	7								
STARTER ASSY., RECOIL	C5	19	1								
SWITCH ASSY., ENGINE STOP	C14	28	10								
SWIVEL	C7	21	16								
[T]											
TANK, FUEL	C12	26	2								
			3								
TUBE A, FUEL	C12	26	14								
TUBE, BREATHER	C1	15	14								
TUBE, FUEL RETURN	C12	26	12								
			13								
TUBE, FUEL TANK	C12	26	10								
			11								
TUBE, OIL	C1	15	10								
[V]											
VALVE, EX.	C4	18	6								
VALVE, INLET NEEDLE	C7	21	8								
VALVE, IN.	C4	18	5								
[W]											
WASHER	C7	21	20								
WASHER, CLUTCH	C6	20	5								
WASHER, CONTROL LEVER	C14	28	5								
WASHER, WAVE	C6	20	6								
WRENCH, HEX., 4MM	D1	31	2								
WRENCH, SPARK PLUG	D1	31	1								

1

FOREWORD INDEX

2

ENGINE GROUP

3

PART NUMBER INDEX

4

PART NAME INDEX

HONDA
The Power of Dreams



PARTS CATALOGUE NEWS

Honda Motor Co., Ltd. Service Division

PARTS CATALOGUE - CORRECTED

Printed in Japan

CODE NO.	BOOKLET TYPE	13Z6J601
	MICRO-FICHE	13Z6J6EA/FA
PARTS CATALOGUE TITLE	GX25NT	
NEWS NO.	001	

Block No.	Ref. No.	Note	Part No.	Description	Reqd. QTY	Serial No.	Parts catalogue code
					GX 25 NT		
E-19	3	T	32195-Z0H-000	CORD, STOP SWITCH	1	-----	SAM3, SGT3, ST3, S3, T3
		D	32195-Z0H-800	1	-----	W3

NOTE A:PART NO. CHANGE D:NEWLY PROVIDED E:PART NO.DELETION K:REQUIRED NO. CORRECTION L:APPLICATION SERIAL NO. CORRECTION
T:APPLICATION CORRECTION Z:REMARKS CHANGE



PARTS CATALOGUE NEWS

Honda Motor Co., Ltd. Service Division

PARTS CATALOGUE - CORRECTED

Printed in Japan

CODE NO.	BOOKLET TYPE	13Z6J601
	MICRO-FICHE	13Z6J6EA/FA
PARTS CATALOGUE NEWS	GX25NT	
NEWS NO.	002	

Block No.	Ref. No.	Note	Part No.	Description	Reqd. QTY GX 25 NT	Serial No.	Parts catalogue code
E-2	18		90013-Z0H-004	SCREW, PAN, 4X8	2	----- 1002508	
		A	90013-Z3E-003	2	1002509	
E-7	5		91211-Z3E-000	OIL SEAL, 12X24X5	1	----- 1002508	
		A	91211-Z3E-003	1	1002509	
	6		91212-Z3E-000	OIL SEAL, 10X20X5	1	----- 1002508	
		A	91212-Z3E-003	1	1002509	
E-10	1		12209-Z3E-000	SEAL, VALVE STEM	1	----- 1002508	
		A	12209-Z3E-003	1	1002509	
	4		14400-Z0H-003	BELT, TIMING (71ZU6 G-300) ...	1	----- 1002508	
		A	14400-Z3E-003	1	1002509	
E-19	4		90012-Z0H-005	BOLT, SOCKET, 4X14	2	----- 1002508	
		A	90012-Z3E-003	2	1002509	

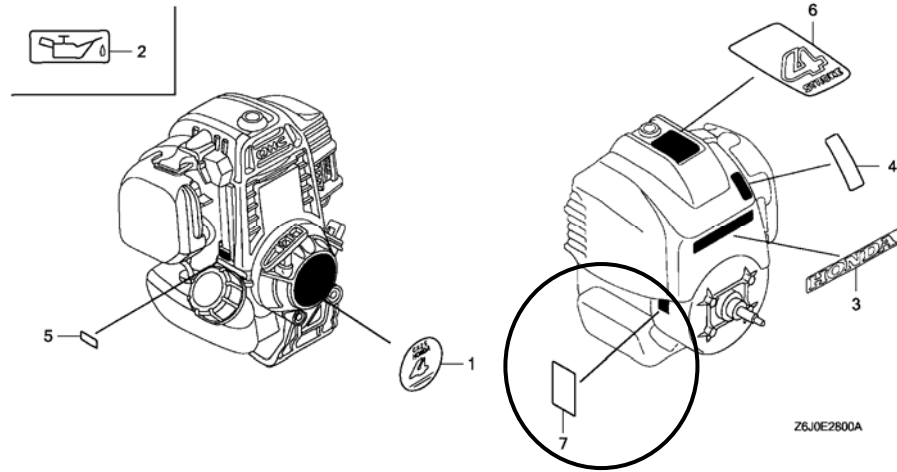
NOTE A:PART NO. CHANGE D:NEWLY PROVIDED E:PART NO.DELETION K:REQUIRED NO. CORRECTION L:APPLICATION SERIAL NO. CORRECTION
T:APPLICATION CORRECTION Z:REMARKS CHANGE

PARTS CATALOGUE NEWS

BOOKNo. : 13Z6J601

Block No.	Ref. No.	Note	Part No.	Description	Reqd. QTY GX 25 NT	Serial No.	Parts catalogue code
-----------	----------	------	----------	-------------	-----------------------------	------------	----------------------

E-28 LABEL



E-28	7	D	87114-Z3E-000	LABEL, WARNING (NOT CERTIFIED FOR SALE)	1	1000485	
------	---	---	---------------	--	---	---------	--

NOTE A:PART NO. CHANGE D:NEWLY PROVIDED E:PART NO.DELETION K:REQUIRED NO. CORRECTION L:APPLICATION SERIAL NO. CORRECTION
T:APPLICATION CORRECTION Z:REMARKS CHANGE



PARTS CATALOGUE NEWS

Honda Motor Co., Ltd. Service Division

PARTS CATALOGUE - CORRECTED

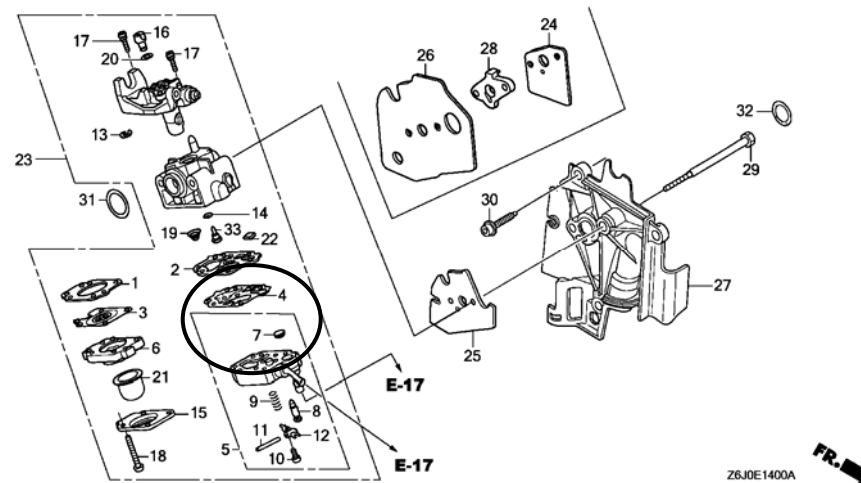
Printed in Japan

CODE NO.	BOOKLET TYPE	13Z6J601
	MICRO-FICHE	13Z6J6EA/FA
PARTS CATALOGUE NEWS	GX25NT	
NEWS NO.	003	

Block No.	Ref. No.	Note	Part No.	Description	Reqd. QTY GX 25 NT	Serial No.	Parts catalogue code
-----------	----------	------	----------	-------------	-----------------------------	------------	----------------------

E-14 CARBURETOR

ILLUSTRATION CORRECTED



NOTE A:PART NO. CHANGE D:NEWLY PROVIDED E:PART NO.DELETION K:REQUIRED NO. CORRECTION L:APPLICATION SERIAL NO. CORRECTION
T:APPLICATION CORRECTION Z:REMARKS CHANGE



PARTS CATALOGUE NEWS

Honda Motor Co., Ltd. Service Division

Printed in Japan

November 19, 2006

CODE NO.	BOOKLET TYPE	13Z6J601
	MICRO- FICHE	13Z6J6EA/FA
PARTS CATALOGUE NEWS	GX25NT	
NEWS NO.	004	

GX25NT-SGT9 TYPE sales information

NOTE: This Parts Catalogue News explains only the parts of the different model that are produced to conform to addition of the GX25NT-SGT9 type.

As for the parts not listed on this Parts Catalogue News, use the parts of the GX25NT-SGT3 type.

• Models, parts catalogue codes and applicable serial numbers

Model	Type		Parts catalogue type	Applicable engine serial No.	Applicable carburetor identification No.
GX25NT	SGT3	Base type	SGT3	GCART-1000001~	WYB 6D
	SGT9	Additional type	SGT9		

• Features of each type

		Base type	Additional type
Specifications	Model	GX25NT	
	Type	SGT3	SGT9
P.T.O. Shaft			
Tank guard		●	●
Control			

PARTS CATALOGUE NEWS

BOOKNo. : 13Z6J601

Block No.	Ref. No.	Part No.	Description	Reqd. QTY	Base Part No.	Parts catalogue code
E-17	2	17511-Z6J-003	TANK, FUEL	1	17511-Z0H-023	
E-27	1	19720-Z0H-000ZD	COVER COMP., TOP		19720-Z0H-000ZC	
			T100.....EMAK RED	1		
		19720-Z0H-000ZE	*T101*.....EMAK ORANGE	1		
E-28	1		MARK, EMBLEM	0	87521-Z3E-000	
	5	87601-Z4A-850	MARK, TYPE (SGT9)	1	87601-Z4A-820	
	6		MARK (4-STROKE)	0	87660-Z0H-000	



PARTS CATALOGUE NEWS

Honda Motor Co., Ltd. Service Division

February 12, 2007

CODE NO.	BOOKLET TYPE	13Z6J601
	MICRO- FICHE	13Z6J6EA/FA
PARTS CATALOGUE NEWS	GX25NT	
NEWS NO.	005	

Printed in Japan

GX25NT-SMTD TYPE sales parts information

NOTE: This Parts Catalogue News explains only the parts of the different model that are produced to conform to addition of the GX25NT-SMTD type.

As for the parts not listed on this Parts Catalogue News, use the parts of the GX25NT-ST3 type.

- Models, parts catalogue codes and applicable serial numbers

Model	Type		Parts catalogue type	Applicable engine serial No.	Applicable carburetor identification No.
GX25NT	ST3	Base type	ST3	GCART-1000001~	WYB 6D
	SMTD	Additional type	SMTD		

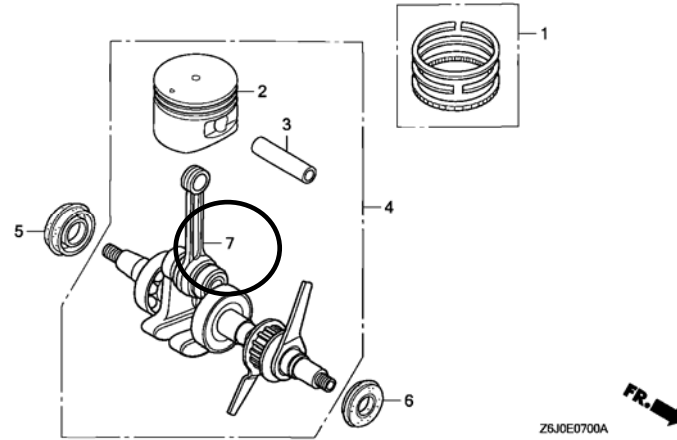
• Features of each type		Base type	Additional type
Specifications	Model	GX25NT	
	Type	ST3	SMTD
P.T.O. Shaft			
Tank guard		●	●
Control			

BOOKNo. : 13Z6J601

Block No.	Ref. No.	Part No.	Description	Reqd. QTY GX 25 NT	Base Part No.	Parts catalogue code
-----------	----------	----------	-------------	-----------------------------	---------------	----------------------

E-7 CRANKSHAFT/PISTON

Ref. No.	(Relative ref. Number)	Description	FRT
4	1101R3	CRANKSHAFT ASSEMBLY	1.2
7	1101FO	CRANKSHAFT	1.4



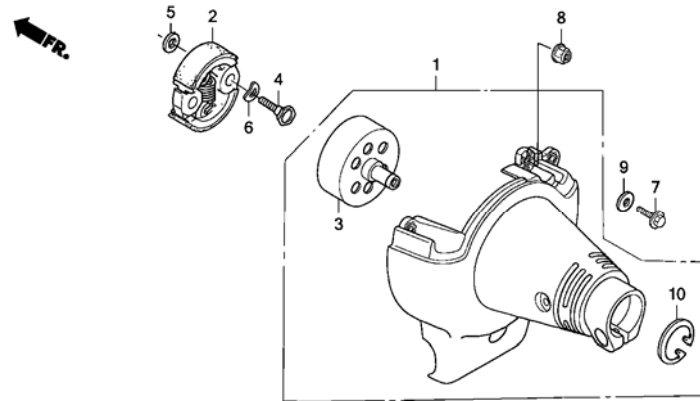
E-7	7	13310-Z0H-305	CRANKSHAFT COMP.	(1)		
E-12	2		COVER, FAN	0	19611-Z0H-000	
	3		CLUTCH ASSY.	0	22000-ZM3-003	
	4		BOLT, CLUTCH (6MM)	0	22253-Z3E-000	
	5		WASHER, CLUTCH (6X15)	0	22254-Z3E-000	
	6		WASHER, WAVE (8MM)	0	22255-Z3E-000	
	8		BOLT, SOCKET, 5X20	0	90009-Z0H-003	

BOOKNo. : 13Z6J601

Block No.	Ref. No.	Part No.	Description	Reqd. QTY	Base Part No.	Parts catalogue code
				GX 25 NT		

E-12-1 FAN COVER/CLUTCH (2)

Ref. No.	(Relative ref. Number)	Description	FRT
1	1141G8	COVER, ENGINE COOLING FAN	0.1
2	2121F7	CLUTCH, CENTRIFUGAL	0.3
3	2121C0	OUTER, CLUTCH	0.3



Z6J0E1201

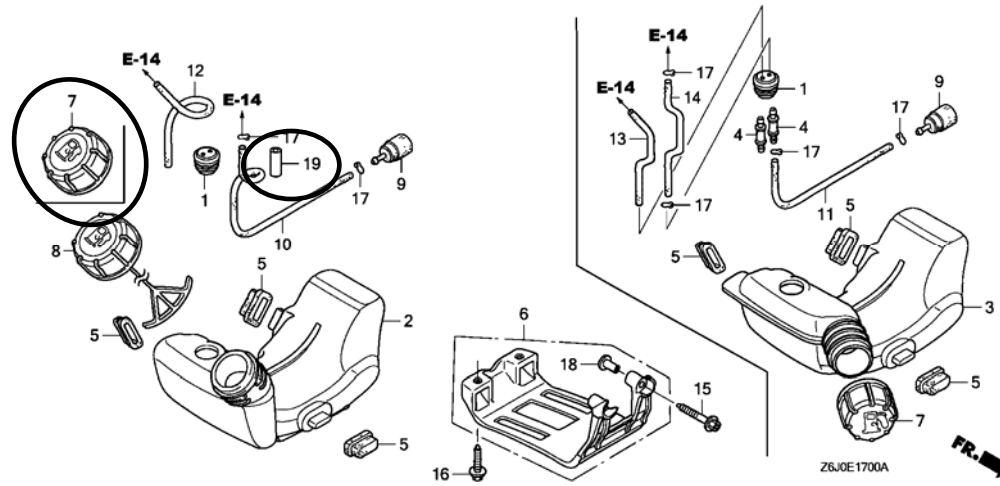
E-12-1	1	19600-Z0H-J21	COVER ASSY., FAN	1
	2	22000-ZM3-003	CLUTCH ASSY.	1
	3	22100-Z0H-J20	OUTER COMP., CLUTCH	1
	4	22253-Z3E-000	BOLT, CLUTCH (6MM)	2
	5	22254-Z3E-000	WASHER, CLUTCH (6X15)	2
	6	22255-Z3E-000	WASHER, WAVE (8MM)	2
	7	90009-Z0H-003	BOLT, SOCKET, 5X20	3
	8	90201-Z0H-J00	NUT, SPECIAL, 4MM	1
	9	94101-05000	WASHER, PLAIN, 5MM	3
	10	94510-10000	CIRCLIP, EXTERNAL, 10MM	1

PARTS CATALOGUE NEWS

BOOKNo. : 13Z6J601

Block No.	Ref. No.	Part No.	Description	Reqd. QTY GX 25 NT	Base Part No.	Parts catalogue code
-----------	----------	----------	-------------	-----------------------------	---------------	----------------------

E-17 FUEL TANK

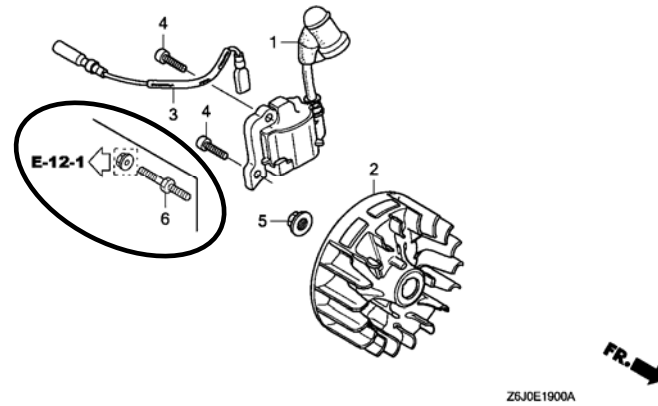


E-17	2	17511-Z6J-003	TANK, FUEL	1	17511-Z0H-023	
	7	17620-ZM3-053	CAP ASSY., FUEL TANK	1		
	8		CAP ASSY., FUEL TANK	0	17620-ZM3-816	
	19	16865-Z6J-000	PROTECTOR, TUBE	1		

PARTS CATALOGUE NEWS

BOOKNo. : 13Z6J601

Block No.	Ref. No.	Part No.	Description	Reqd. QTY GX 25 NT	Base Part No.	Parts catalogue code
E-19		FLYWHEEL				



E-19	4	90012-Z3E-003	BOLT, SOCKET, 4X14	1	90012-Z3E-003
	6	90101-Z0H-J00	BOLT, SPECIAL STUD, 4MM	1	
E-28	1	87521-Z3E-010	MARK, EMBLEM	1	87521-Z3E-000
	5	87601-Z6J-V30	MARK, TYPE (SMTD)	1	87601-Z4A-800
E-29	3		BOLT, SOCKET, 5X9	(0)	90011-Z0H-811

April 22, 2007



PARTS CATALOGUE NEWS

Honda Motor Co., Ltd. Service Division

Printed in Japan

CODE NO.	BOOKLET TYPE	13Z6J601
	MICRO- FICHE	13Z6J6EA/FA
PARTS CATALOGUE NEWS	GX25NT	
NEWS NO.	006	

GX25NT-SATM TYPE sales parts information

NOTE: This Parts Catalogue News explains only the parts of the different model that are produced to conform to addition of the GX25NT- SATM type.

As for the parts not listed on this Parts Catalogue News, use the parts of the GX25NT-SAM3 type.

• Models, parts catalogue codes and applicable serial numbers

Model	Type		Parts catalogue type	Applicable engine serial No.	Applicable carburetor identification No.
GX25NT	SAM3	Base type	SAM3	GCART-1000001~	WYB 6D
	SATM	Additional type	SATM		

• Features of each type

	Base type	Additional type
Model	GX25NT	
Specifications	SAM3	SATM
P.T.O. Shaft		
Tank guard		●
Control		

PARTS CATALOGUE NEWS

BOOKNo. :13Z6J601

Block No.	Ref. No.	Part No.	Description	Reqd. QTY		Base Part No.	Parts catalogue code
				GX 25 NT			
E-2	14	15721-Z0H-000	TUBE, BREATHER	1		15721-Z0H-800	
E-7	7	13310-Z0H-305	CRANKSHAFT COMP.	(1)			
E-11	11	90018-Z0H-003	BOLT, SOCKET, 5X16	1		90018-Z0H-003	
E-12	3	22000-ZM3-003	CLUTCH ASSY.	1		22000-Z0H-U61	
	4	22253-Z3E-000	BOLT, CLUTCH (6MM)	2		22253-Z3E-U60	
	5	22254-Z3E-000	WASHER, CLUTCH (6X15)	2		22254-Z3E-U60	
	6	22255-Z3E-000	WASHER, WAVE (8MM)	2		22255-Z3E-U60	
E-14	24		PACKING, CARBURETOR	0		16221-ZM3-000	
	25	16221-Z0H-000	PACKING, CARBURETOR	1			
	26		PACKING, SHROUD	0		16222-Z0H-800	
	28		SPACER, SHROUD	0		19632-Z0H-800	
	29	90014-Z0H-003	BOLT, 5X53	2		90014-Z0H-801	
E-16	1		MUFFLER COMP.	0		18310-Z0H-800	
	2	18310-Z0H-840	MUFFLER COMP. (ARRESTER)	1			
	3		ARRESTER COMP., SPARK	0		18350-Z0H-800	
	4	18350-Z0H-820	ARRESTER COMP., SPARK	1			
	8		SCREW, TAPPING, 4X6	0		90055-ZE1-000	
	10	93901-22010	SCREW, TAPPING, 3X6	1			
E-17	2	17511-Z6J-003	TANK, FUEL	1		17511-Z0H-023	
	6	17555-Z0H-010	GUARD, TANK	1			
	15	90010-Z0H-003	BOLT, SOCKET, 5X30	2			
	16	90018-Z0H-003	BOLT, SOCKET, 5X16	2			
	18	91501-Z0H-000	COLLAR, TANK GUARD	2			
	19	16865-Z6J-000	PROTECTOR, TUBE	1			

PARTS CATALOGUE NEWS

BOOKNo. : 13Z6J601

Block No.	Ref. No.	Part No.	Description	Reqd. QTY	Base Part No.	Parts catalogue code
				GX 25 NT		
E-27	1	19720-Z0H-800ZA	COVER COMP., TOP *R280*..... POWER RED	1	19720-Z0H-000ZB	
E-28	1	87521-Z3E-010	MARK, EMBLEM	1	87521-Z3E-000	
	5	87601-Z0H-V20	MARK, TYPE (SATM)	1	87601-Z4A-810	
E-29	3	90011-Z0H-811	BOLT, SOCKET, 5X9	(1)		



PARTS CATALOGUE NEWS

Honda Motor Co., Ltd. Service Division

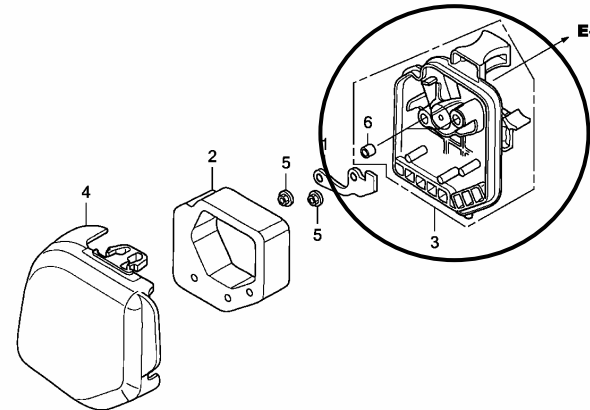
PARTS CATALOGUE - CORRECTED

Printed in Japan

CODE NO.	BOOKLET TYPE	13Z6J601
	MICRO-FICHE	13Z6J6EA/FA
PARTS CATALOGUE NEWS	GX25NT	
NEWS NO.	007	

Block No.	Ref. No.	Note	Part No.	Description	Reqd. QTY GX 25 NT	Serial No.	Parts catalogue code
-----------	----------	------	----------	-------------	-----------------------------	------------	----------------------

E-15 AIR CLEANER (1)



Z6J0E1500A



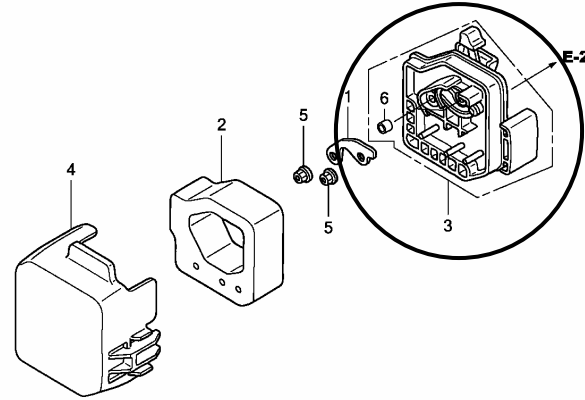
E-15	6	D	91503-ZM3-000	COLLAR, AIR CLEANER	2	-----	SAM3, SATM, SGT3, SGT9, SMTD, ST3, S3, W3
------	---	---	---------------	---------------------------	---	-------	---

NOTE A:PART NO. CHANGE D:NEWLY PROVIDED E:PART NO.DELETION K:REQUIRED NO. CORRECTION L:APPLICATION SERIAL NO. CORRECTION
T:APPLICATION CORRECTION Z:REMARKS CHANGE

PARTS CATALOGUE NEWS

BOOKNo. : 13Z6J601

Block No.	Ref. No.	Note	Part No.	Description	Reqd. QTY GX 25 NT	Serial No.	Parts catalogue code
E-15-1			AIR CLEANER (2)				



Z6J0E1501A



E-15-1	6	D	91503-ZM3-000	COLLAR, AIR CLEANER	2	-----	T3
--------	---	---	---------------	---------------------------	---	-------	----

NOTE A:PART NO. CHANGE D:NEWLY PROVIDED E:PART NO.DELETION K:REQUIRED NO. CORRECTION L:APPLICATION SERIAL NO. CORRECTION
T:APPLICATION CORRECTION Z:REMARKS CHANGE

PARTS CATALOGUE NEWS

BOOKNo. : 13Z6J601

Block No.	Ref. No.	Note	Part No.	Description	Reqd. QTY	Serial No.	Parts catalogue code
					GX 25 NT		
E-17			FUEL TANK				
E-17	20	D	91506-ZM3-000	COLLAR A, HEAD COVER	2	-----	SATM, SGT3, SGT9, SMTD, ST3

NOTE A:PART NO. CHANGE D:NEWLY PROVIDED E:PART NO.DELETION K:REQUIRED NO. CORRECTION L:APPLICATION SERIAL NO. CORRECTION
T:APPLICATION CORRECTION Z:REMARKS CHANGE



PARTS CATALOGUE NEWS

Honda Motor Co., Ltd. Service Division

Printed in Japan

November 03, 2007

CODE NO.	BOOKLET TYPE	13Z6J601
	MICRO- FICHE	13Z6J6EA/FA
PARTS CATALOGUE NEWS	GX25NT	
NEWS NO.	008	

GX25NT-STSC TYPE sales parts information

NOTE: This Parts Catalogue News explains only the parts of the different model that are produced to conform to addition of the GX25NT-STSC type.

As for the parts not listed on this Parts Catalogue News, use the parts of the GX25NT-S3 type.

- Models, parts catalogue codes and applicable serial numbers

Model	Type		Parts catalogue type	Applicable engine serial No.	Applicable carburetor identification No.
GX25NT	S3	Base type	S3	GCART-1000001~	WYB 6D
	STSC	Additional type	STSC		

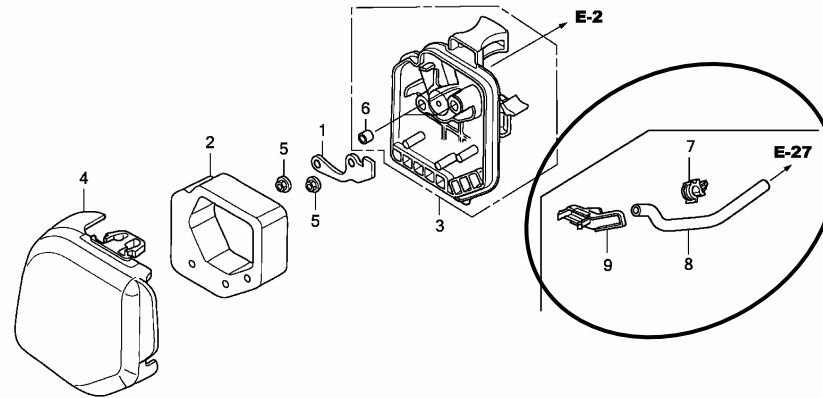
• Features of each type		Base type	Additional type
Specifications	Model	GX25NT	
	Type	S3	STSC
P.T.O. Shaft			
Tank guard			●
Control			

BOOKNo. : 13Z6J601

Block No.	Ref. No.	Part No.	Description	Reqd. QTY GX 25 NT	Base Part No.	Parts catalogue code
-----------	----------	----------	-------------	-----------------------------	---------------	----------------------

E-15 AIR CLEANER (1)

Ref. No.	(Relative ref. Number)	Description	FRT
8	3121Q1	TUBE, HOT AIR	0.1



Z6J0E1500B



E-15	3	17220-Z0H-010	CASE COMP., AIR CLEANER	1	17220-Z0H-000
	7	16731-ZE2-003	CLIP, TUBE	1	
	8	17241-Z6J-800	TUBE, HOT AIR	1	
	9	17242-Z6J-800	JOINT, HOT AIR	1	
E-17	2	17511-Z6J-003	TANK, FUEL	1	17511-Z0H-023
	6	17555-Z0H-010	GUARD, TANK	1	
	15	90010-Z0H-003	BOLT, SOCKET, 5X30	2	
	16	90018-Z0H-003	BOLT, SOCKET, 5X16	2	
	18	91501-Z0H-000	COLLAR, TANK GUARD	2	
	19	16865-Z6J-000	PROTECTOR, TUBE	1	
	20	91506-ZM3-000	COLLAR A, HEAD COVER	2	

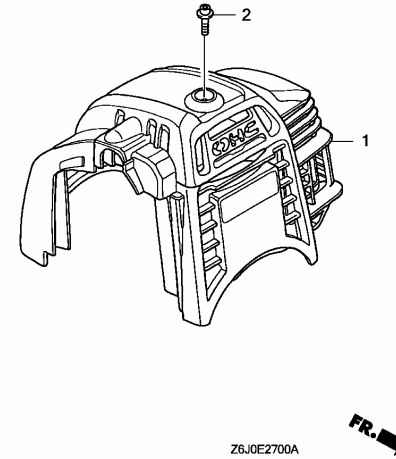
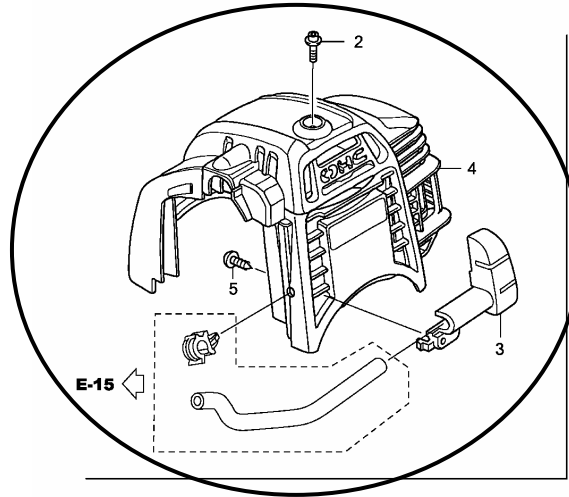
PARTS CATALOGUE NEWS

BOOKNo. :13Z6J601

Block No.	Ref. No.	Part No.	Description	Reqd. QTY	Base Part No.	Parts catalogue code
-----------	----------	----------	-------------	-----------	---------------	----------------------

E-27 TOP COVER

Ref. No.	(Relative ref. Number)	Description	FRT
1	(4)		
1111D6		COVER, ENGINE TOP	0.1
3 3121Q2		DUCT, HOT AIR	0.1

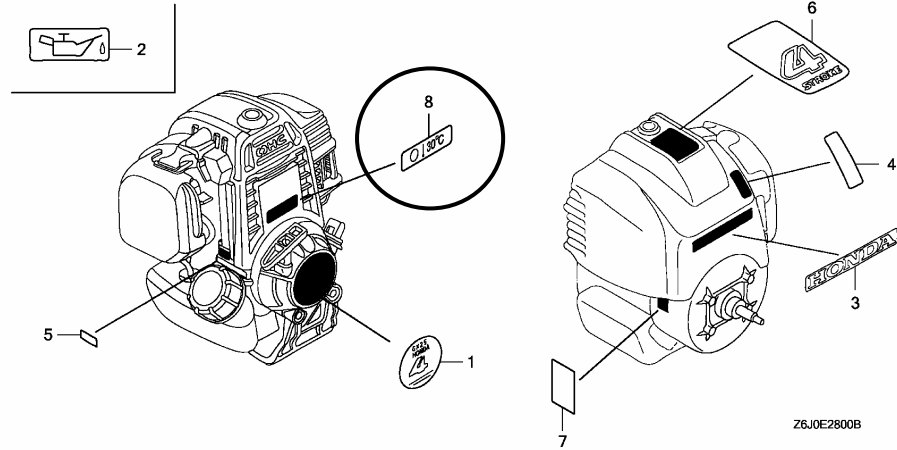


E-27	1	COVER COMP., TOP *R280*..... POWER RED	0	19720-Z0H-000ZB
	3	17244-Z6J-800 DUCT, HOT AIR	1	
	4	19720-Z6J-800 COVER COMP., TOP	1	
	5	93913-24120 SCREW, TAPPING, 4X10	1	

PARTS CATALOGUE NEWS

BOOKNo. : 13Z6J601

Block No.	Ref. No.	Part No.	Description	Reqd. QTY GX 25 NT	Base Part No.	Parts catalogue code
E-28		LABEL				



E-28	1	87521-Z3E-010	MARK, EMBLEM	1	87521-Z3E-000	
	5	87601-Z6J-800	MARK, TYPE (STSC)	1	87601-Z4A-000	
	8	87538-Z3E-810	LABEL, OPERATOR NOTICE	1		



PARTS CATALOGUE NEWS

Honda Motor Co., Ltd. Service Division

PARTS CATALOGUE - CORRECTED

Printed in Japan

CODE NO.	BOOKLET TYPE	13Z6J601
	MICRO- FICHE	13Z6J6EA/FA
PARTS CATALOGUE NEWS	GX25NT	
NEWS NO.	009	

Block No.	Ref. No.	Note	Part No.	Description	Reqd. QTY	Serial No.	Parts catalogue code	
					GX 25 NT			
E-15	3	L	17220-Z0H-000	CASE COMP., AIR CLEANER	1	----- 1093534	SAM3, SATM, SGT3, SGT9, SMTD, ST3, S3, W3	
			T	17220-Z0H-010	1	-----	STSC
						1	1093535	-----
E-17	2	L	17511-Z0H-023	TANK, FUEL	1	----- 1038979	SAM3, SGT3, ST3, S3, W3	
			T	17511-Z6J-003	1	-----	SATM, SGT9, SMTD, STSC
						1	1038980	-----
	3	A	17511-Z0H-823	TANK, FUEL	1	----- 1038979	T3	
			17511-Z6J-821	1	1038980	-----	T3
	11	A	17701-Z0H-820	TUBE, FUEL TANK	1	----- 1038979	T3	
			17701-Z0H-821	1	1038980	-----	T3
	13	A	17702-Z0H-820	TUBE, FUEL RETURN	1	----- 1038979	T3	
			17702-Z0H-821	1	1038980	-----	T3
	14		17703-Z0H-820	TUBE A, FUEL	1	----- 1038979	T3	

NOTE A:PART NO. CHANGE D:NEWLY PROVIDED E:PART NO.DELETION K:REQUIRED NO. CORRECTION L:APPLICATION SERIAL NO. CORRECTION
T:APPLICATION CORRECTION Z:REMARKS CHANGE

PARTS CATALOGUE NEWS

BOOKNo. : 13Z6J601

Block No.	Ref. No.	Note	Part No.	Description	Reqd. QTY	Serial No.		Parts catalogue code
					GX 25 NT			
		A	17703-Z0H-821	1	1038980	-----	T3
	19		16865-Z6J-000	PROTECTOR, TUBE	1	-----	-----	SATM, SMTD
				1	-----	1086996	STSC
		A	16865-Z6J-800	1	1086997	-----	STSC
E-28	1	L	87521-Z3E-000	MARK, EMBLEM	1	-----	1071906	SAM3, SGT3, ST3, S3, T3, W3
		T	87521-Z3E-010	1	-----	-----	SATM, SMTD, STSC
				1	1071907	-----	SAM3, SGT3, ST3, S3, T3, W3

NOTE A:PART NO. CHANGE D:NEWLY PROVIDED E:PART NO.DELETION K:REQUIRED NO. CORRECTION L:APPLICATION SERIAL NO. CORRECTION
T:APPLICATION CORRECTION Z:REMARKS CHANGE



PARTS CATALOGUE NEWS

Honda Motor Co., Ltd. Service Division

PARTS CATALOGUE - CORRECTED

Printed in Japan

CODE NO.	BOOKLET TYPE	13Z6J601
	MICRO-FICHE	13Z6J6EA/FA
PARTS CATALOGUE NEWS	GX25NT	
NEWS NO.	010	

Block No.	Ref. No.	Note	Part No.	Description	Reqd. QTY	Serial No.	Parts catalogue code
					GX 25 NT		
E-29	1	E	89216-045-010	*PARTS NO. DELETION			
		D	89216-VJ3-J10	WRENCH, PLUG (16X19)	(1)		

NOTE A:PART NO. CHANGE D:NEWLY PROVIDED E:PART NO.DELETION K:REQUIRED NO. CORRECTION L:APPLICATION SERIAL NO. CORRECTION
T:APPLICATION CORRECTION Z:REMARKS CHANGE



PARTS CATALOGUE NEWS

Honda Motor Co., Ltd. Service Division

PARTS CATALOGUE - CORRECTED

Printed in Japan

CODE NO.	BOOKLET TYPE	13Z6J601
	MICRO-FICHE	13Z6J6EA/FA
PARTS CATALOGUE NEWS	GX25NT	
NEWS NO.	011	

Block No.	Ref. No.	Note	Part No.	Description	Reqd. QTY GX 25 NT	Serial No.	Parts catalogue code
E-19	1	E	30500-Z3E-003	*PARTS NO. DELETION			
		D	30500-Z3E-013	COIL ASSY., IGNITION	1		

NOTE A:PART NO. CHANGE D:NEWLY PROVIDED E:PART NO.DELETION K:REQUIRED NO. CORRECTION L:APPLICATION SERIAL NO. CORRECTION
T:APPLICATION CORRECTION Z:REMARKS CHANGE



PARTS CATALOGUE NEWS

Honda Motor Co., Ltd. Service Division

Printed in Japan

CODE NO.	BOOKLET TYPE	13Z6J601
	MICRO- FICHE	13Z6J6EA/FA
PARTS CATALOGUE NEWS	GX25NT	
NEWS NO.	012	

GX25NT-ST3E TYPE sales parts information

NOTE: This Parts Catalogue News explains only the parts of the different model that are produced to conform to addition of the GX25NT-ST3E type.

As for the parts not listed on this Parts Catalogue News, use the parts of the GX25NT-ST3 type.

• Models, parts catalogue codes and applicable serial numbers

Model	Type		Parts catalogue type	Applicable engine serial No.	Applicable carburetor identification No.
GX25NT	ST3	Base type	ST3	GCART-1000001~	WYB 6D
	ST3E	Additional type	ST3E		WYB 6F

BOOKNo. : 13Z6J601

• Features of each type		Base type	Additional type
Specifications	Model	GX25NT	
	Type	ST3	ST3E
P.T.O. Shaft			
Tank guard		●	●
Control			

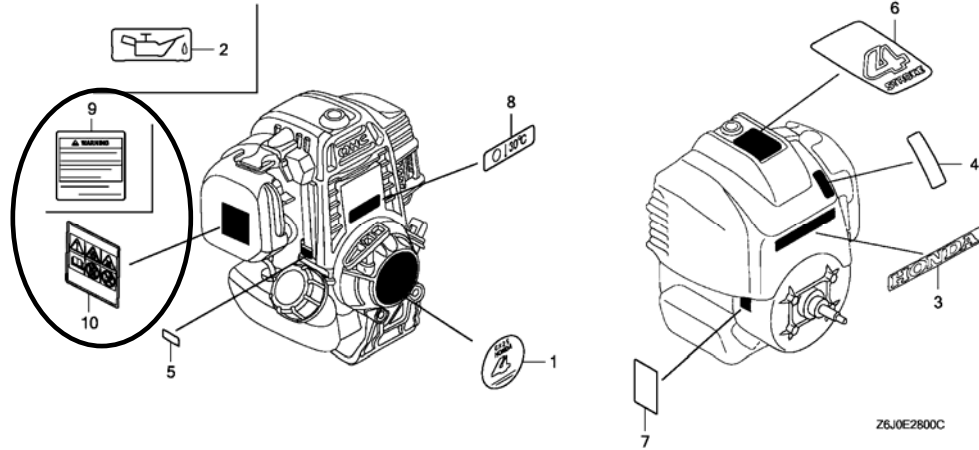
Block No.	Ref. No.	Part No.	Description	Reqd. QTY GX 25 NT	Base Part No.	Parts catalogue code
E-14	23	16100-Z0H-053	CARBURETOR ASSY. (WYB 6F)	1	16100-Z0H-043	
E-15	4	17231-Z0H-010	COVER, AIR CLEANER	1	17231-Z0H-000	
E-17	2	17511-Z6J-830	TANK, FUEL	1	17511-Z6J-003	
	8	17620-ZM3-817	CAP ASSY., FUEL TANK	1	17620-ZM3-816	
	19	16865-Z6J-000	PROTECTOR, TUBE	1		
E-27	1	19720-Z0H-000ZF	COVER COMP., TOP	1	19720-Z0H-000ZB	
			T103..... ELMOS BLUE			

PARTS CATALOGUE NEWS

BOOKNo. : 13Z6J601

Block No.	Ref. No.	Part No.	Description	Reqd. QTY GX 25 NT	Base Part No.	Parts catalogue code
-----------	----------	----------	-------------	-----------------------------	---------------	----------------------

E-28 LABEL



E-28	3		MARK, HONDA	0	87531-Z0H-000	
	5	87601-Z4A-860	MARK, TYPE (ST3E)	1	87601-Z4A-800	
	9	87516-Z6J-000	MARK, OPERATOR CAUTION (ENGLISH)	1		
		87516-Z6J-800	MARK, OPERATOR CAUTION (FRENCH)	1		
	10	87519-Z6J-000	MARK, OPERATOR CAUTION (PICTOGRAPH)	1		

January 16, 2010



PARTS CATALOGUE NEWS

Honda Motor Co., Ltd. Service Division

PARTS CATALOGUE - CORRECTED

Printed in Japan

CODE NO.	BOOKLET TYPE	13Z6J601
	MICRO-FICHE	13Z6J6EA/FA
PARTS CATALOGUE NEWS	GX25NT	
NEWS NO.	013	

Block No.	Ref. No.	Note	Part No.	Description	Reqd. QTY	Serial No.		Parts catalogue code
					GX 25 NT			
E-11	1	D	28400-Z0H-305	STARTER ASSY., RECOIL (FOR U. S. A.)	1	-----	-----	SATM, SGT3, SGT9, SMTD, ST3, S3, T3
E-17	2	D	17511-Z0H-305	TANK, FUEL (FOR U. S. A.)	1	-----	-----	SAM3, SGT3, ST3, S3, W3

NOTE A:PART NO. CHANGE D:NEWLY PROVIDED E:PART NO.DELETION K:REQUIRED NO. CORRECTION L:APPLICATION SERIAL NO. CORRECTION
T:APPLICATION CORRECTION Z:REMARKS CHANGE



PARTS CATALOGUE NEWS

Honda Motor Co., Ltd. Service Division

Printed in Japan

CODE NO.	BOOKLET TYPE	13Z6J601
	MICRO- FICHE	13Z6J6EA/FA
PARTS CATALOGUE NEWS	GX25NT	
NEWS NO.	014	

GX25NT-S2 TYPE sales parts information

NOTE: This Parts Catalogue News explains only the parts of the different model that are produced to conform to addition of the GX25NT-S2 type.

As for the parts not listed on this Parts Catalogue News, use the parts of the GX25NT-S3 type.

- Models, parts catalogue codes and applicable serial numbers

Model	Type		Parts catalogue type	Applicable engine serial No.	Applicable carburetor identification No.
GX25NT	S3	Base type	S3	GCART-1000001~	WYB 6D
	S2	Additional type	S2		WYB 6F

• Features of each type		Base type	Additional type
Specifications	Model	GX25NT	
	Type	S3	S2
P.T.O. Shaft			
Tank guard			
Control			

Block No.	Ref. No.	Part No.	Description	Reqd. QTY	Base Part No.	Parts catalogue code
				GX 25 NT		
E-14	23	16100-Z0H-053	CARBURETOR ASSY. (WYB 6F)	1	16100-Z0H-043	
E-15	4	17231-Z0H-010	COVER, AIR CLEANER	1	17231-Z0H-000	
E-17	2	17511-Z0H-305	TANK, FUEL (FOR U. S. A.)	(1)	17511-Z0H-305	
		17511-Z6J-830	TANK, FUEL	1	17511-Z6J-003	
	8	17620-ZM3-817	CAP ASSY., FUEL TANK	1	17620-ZM3-816	
		19	16865-Z6J-000	PROTECTOR, TUBE	1	
E-28	5	87601-Z4A-870	MARK, TYPE (S2)	1	87601-Z4A-000	
		9	87516-Z6J-000	MARK, OPERATOR CAUTION (ENGLISH)	1	
		87516-Z6J-800	MARK, OPERATOR CAUTION (FRENCH)	1		
	10	87519-Z6J-000	MARK, OPERATOR CAUTION (PICTOGRAPH)	1		



PARTS CATALOGUE NEWS

Honda Motor Co., Ltd.
Customer Service Technology Development Division

PARTS CATALOGUE - CORRECTED

Printed in Japan

CODE NO.	BOOKLET TYPE	13Z6J601
	MICRO-FICHE	13Z6J6EA/FA
PARTS CATALOGUE NEWS	GX25NT	
NEWS NO.	015	

Block No.	Ref. No.	Note	Part No.	Description	Reqd. QTY		Serial No.		Parts catalogue code
					GX	25	NT		
E-17	2		17511-Z6J-003	TANK, FUEL.....	1		1038980	1161187	S3, SAM3, SGT3, ST3, W3
					1		-----	1161187	SATM, SGT9, SMTD, STSC
	3	D	17511-Z6J-830	1		-----	-----	S2, ST3E
					1		1161188	-----	S3, SAM3, SATM, SGT3, SGT9, SMTD, ST3, STSC, W3
A		17511-Z6J-821	TANK, FUEL.....	1		1038980	1159427	T3	
				1		1159428	-----	T3	

NOTE A:PART NO. CHANGE D:NEWLY PROVIDED E:PART NO.DELETION K:REQUIRED NO. CORRECTION L:APPLICATION SERIAL NO. CORRECTION
T:APPLICATION CORRECTION Z:REMARKS CHANGE



PARTS CATALOGUE NEWS

Honda Motor Co., Ltd.
Customer Service Technology Development Division

PARTS CATALOGUE - CORRECTED

Printed in Japan

CODE NO.	BOOKLET TYPE	13Z6J601
	MICRO-FICHE	13Z6J6EA/FA
PARTS CATALOGUE NEWS	GX25NT	
NEWS NO.	016	

Block No.	Ref. No.	Note	Part No.	Description	Reqd. QTY	Serial No.		Parts catalogue code
					GX 25 NT			
E-14	23	D	16100-Z0H-834	CARBURETOR ASSY. (WYB 10B)	1	1196504	----- W3	
		L	16100-Z0H-844	CARBURETOR ASSY. (WYB 12B)	1	-----	1196503 W3	

NOTE A:PART NO. CHANGE D:NEWLY PROVIDED E:PART NO.DELETION K:REQUIRED NO. CORRECTION L:APPLICATION SERIAL NO. CORRECTION
T:APPLICATION CORRECTION Z:REMARKS CHANGE



PARTS CATALOGUE NEWS

Honda Motor Co., Ltd.
Customer Service Technology Development Division

Printed in Japan

CODE NO.	BOOKLET TYPE	13Z6J601
	MICRO-FICHE	13Z6J6EA/FA
PARTS CATALOGUE NEWS	GX25NT	
NEWS NO.	017	

GX25NT-HAT TYPE sales parts information

NOTE: This Parts Catalogue News explains only the parts of the different model that are produced to conform to addition of the GX25NT-HAT type.

As for the parts not listed on this Parts Catalogue News, use the parts of the GX25NT-SATM type.

- Models, parts catalogue codes and applicable serial numbers

Model	Type		Parts catalogue type	Applicable engine serial No.	Applicable carburetor identification No.
GX25NT	SATM	Base type	SATM	GCART-1000001~	WYB 6D
	HAT	Additional type	HAT		WYB 6F

NOTE A:PART NO. CHANGE D:NEWLY PROVIDED E:PART NO.DELETION K:REQUIRED NO. CORRECTION L:APPLICATION SERIAL NO. CORRECTION
T:APPLICATION CORRECTION Z:REMARKS CHANGE

• Features of each type		Base type	Additional type
Specifications	Model	GX25NT	
	Type	SATM	HAT
P.T.O. Shaft			
Tank guard		●	●
Control			

PARTS CATALOGUE NEWS

BOOKNo. : 13Z6J601

Block No.	Ref. No.	Part No.	Description	Reqd. QTY		Base Part No.	Parts catalogue code	
				GX 25 NT				
E-7	2	13101-ZOH-010	PISTON.....	1		13101-ZOH-000	HAT	
	4	13310-ZOH-030	CRANKSHAFT COMP.....	1		13310-ZOH-020	HAT	
E-11	1	28400-ZOH-V01ZA	STARTER ASSY., RECOIL (HUSQVARNA ONLY)					
			T91..... HUSQVARNA ORANGE	1			HAT	
			STARTER ASSY., RECOIL.....	0	28400-ZOH-003	HAT		
				STARTER ASSY., RECOIL (FOR U. S. A.)	0	28400-ZOH-305	HAT	
	2	28414-ZOH-V00ZA	CASE, RECOIL STARTER (HUSQVARNA ONLY)					
			T91..... HUSQVARNA ORANGE	1			HAT	
			CASE, RECOIL STARTER.....	0	28414-ZOH-003	HAT		
	4	28475-ZOH-V01	GUIDE, ROPE.....	1		28433-ZM3-003	HAT	
	8	28461-ZOH-V01	KNOB, RECOIL STARTER.....	1		28461-ZM3-003	HAT	
	E-14	23	16100-ZOH-053	CARBURETOR ASSY. (WYB 6F).....	1		16100-ZOH-043	HAT
25		16221-ZOH-V00	PACKING, CARBURETOR.....	1		16221-ZOH-000	HAT	
E-15	2	17211-ZOH-V00	ELEMENT, AIR CLEANER (SEMI-DRY) (HUSQVARNA ONLY)	1		17211-ZOH-000	HAT	
	3	17220-ZOH-V00ZA	CASE COMP., AIR CLEANER (HUSQVARNA ONLY)					
			T93..... HUSQVARNA GRAY	1			HAT	
				CASE COMP., AIR CLEANER.....	0	17220-ZOH-010	HAT	
	4	17231-ZOH-V00ZA	COVER, AIR CLEANER (HUSQVARNA ONLY)					
T93..... HUSQVARNA GRAY			1			HAT		
			COVER, AIR CLEANER.....	0	17231-ZOH-000	HAT		
E-16	1	18310-ZOH-800	MUFFLER COMP.....	1			HAT	
	2		MUFFLER COMP. (ARRESTER).....	0	18310-ZOH-840	HAT		
	3	18350-ZOH-800	ARRESTER COMP., SPARK.....	1			HAT	

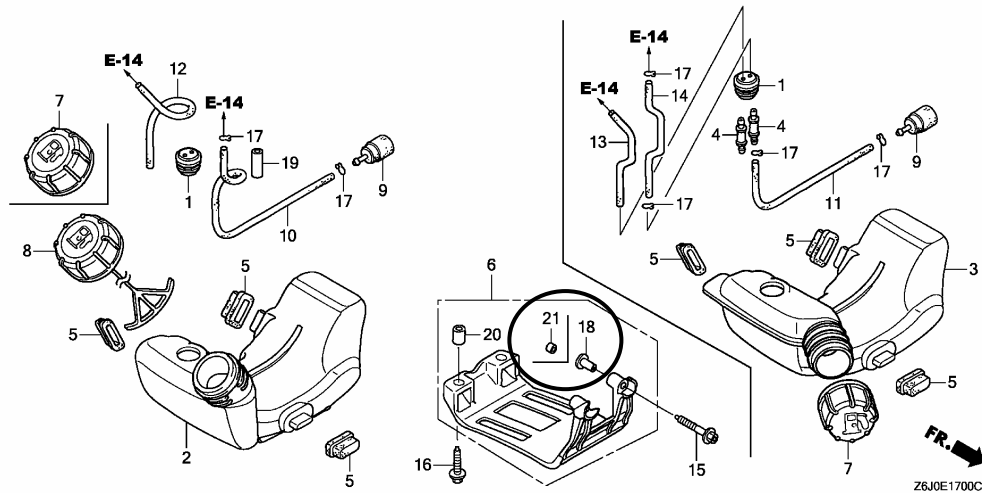
NOTE A:PART NO. CHANGE D:NEWLY PROVIDED E:PART NO.DELETION K:REQUIRED NO. CORRECTION L:APPLICATION SERIAL NO. CORRECTION
T:APPLICATION CORRECTION Z:REMARKS CHANGE

PARTS CATALOGUE NEWS

BOOKNo. : 13Z6J601

Block No.	Ref. No.	Part No.	Description	Reqd. QTY		Base Part No.	Parts catalogue code
				GX 25 NT			
	4		ARRESTER COMP., SPARK.....	0		18350-Z0H-820	HAT
	8	90055-ZE1-000	SCREW, TAPPING, 4X6.....	2			HAT
	10		SCREW, TAPPING, 3X6.....	0		93901-22010	HAT

E-17 FUEL TANK



E-17	2	17511-Z0H-023	TANK, FUEL.....	1		17511-Z6J-830	HAT
		17511-Z0H-305	TANK, FUEL (FOR U. S. A.).....	1		17511-Z6J-830	HAT
	6	17555-Z0H-V00ZA	GUARD COMP., TANK (HUSQVARNA ONLY) *T93*..... HUSQVARNA GRAY	1			HAT
			GUARD, TANK.....	0		17555-Z0H-010	HAT
	8	17620-ZM3-817	CAP ASSY., FUEL TANK.....	1		17620-ZM3-816	HAT
	15	90009-Z0H-003	BOLT, SOCKET, 5X20.....	2		90010-Z0H-003	HAT
	18		COLLAR, TANK GUARD.....	0		91501-Z0H-000	HAT
	21	80115-MC7-640	COLLAR, RR. MUDGUARD.....	2			HAT

NOTE A:PART NO. CHANGE D:NEWLY PROVIDED E:PART NO.DELETION K:REQUIRED NO. CORRECTION L:APPLICATION SERIAL NO. CORRECTION
T:APPLICATION CORRECTION Z:REMARKS CHANGE

PARTS CATALOGUE NEWS

BOOKNo. : 13Z6J601

Block No.	Ref. No.	Part No.	Description	Reqd. QTY	Base Part No.	Parts catalogue code
				GX 25 NT		
E-27	1	19720-Z0H-V00ZA	COVER COMP., TOP (HUSQVARNA ONLY) *T91*..... HUSQVARNA ORANGE	1		HAT
			COVER COMP., TOP *R280*..... POWER RED	0	19720-Z0H-800ZA	HAT
E-28	1		MARK, EMBLEM.....	0	87521-Z3E-010	HAT
	3		MARK, HONDA.....	0	87531-Z0H-000	HAT
	5	87601-Z6J-810	MARK, TYPE (HAT).....	1	87601-Z0H-V20	HAT
	6		MARK (4-STROKE).....	0	87660-Z0H-000	HAT
	9	87516-Z6J-000	MARK, OPERATOR CAUTION (ENGLISH)	1		HAT
		87516-Z6J-800	MARK, OPERATOR CAUTION (FRENCH)	1		HAT
	10	87519-Z6J-000	MARK, OPERATOR CAUTION (PICTOGRAPH)	1		HAT

NOTE A:PART NO. CHANGE D:NEWLY PROVIDED E:PART NO.DELETION K:REQUIRED NO. CORRECTION L:APPLICATION SERIAL NO. CORRECTION
T:APPLICATION CORRECTION Z:REMARKS CHANGE



PARTS CATALOGUE NEWS

Honda Motor Co., Ltd.
Customer Service Technology Development Division

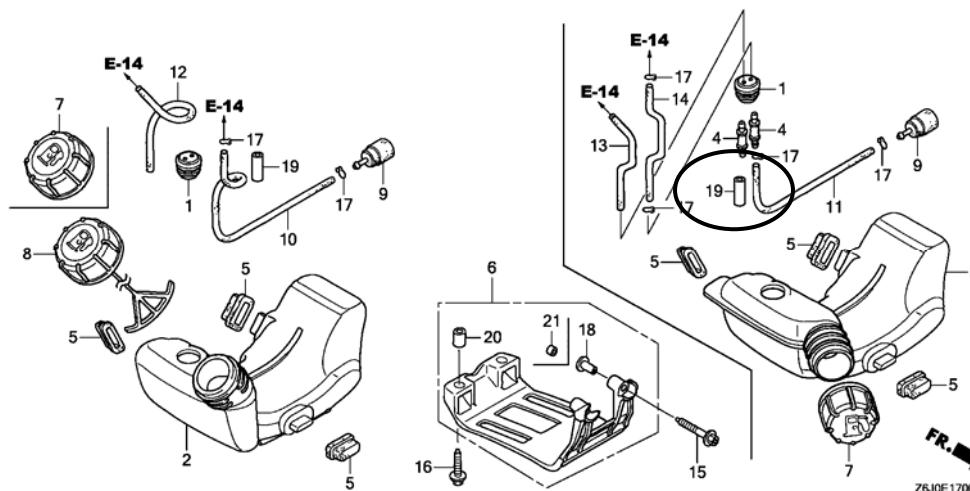
PARTS CATALOGUE - CORRECTED

Printed in Japan

CODE NO.	BOOKLET TYPE	13Z6J601
	MICRO-FICHE	13Z6J6EA/FA
PARTS CATALOGUE NEWS	GX25NT	
NEWS NO.	018	

Block No.	Ref. No.	Note	Part No.	Description	Reqd. QTY GX 25 NT	Serial No.	Parts catalogue code
-----------	----------	------	----------	-------------	-----------------------------	------------	----------------------

E-17 FUEL TANK



NOTE A:PART NO. CHANGE D:NEWLY PROVIDED E:PART NO.DELETION K:REQUIRED NO. CORRECTION L:APPLICATION SERIAL NO. CORRECTION
T:APPLICATION CORRECTION Z:REMARKS CHANGE

PARTS CATALOGUE NEWS

BOOKNo. : 13Z6J601

Block No.	Ref. No.	Note	Part No.	Description	Reqd. QTY	Serial No.	Parts catalogue code
					GX 25 NT		
E-17	19	T	16865-Z6J-000	PROTECTOR, TUBE.....	1	-----	HAT, S2, S3, SAM3, SATM, SGT3, SGT9, SMTD, ST3, ST3E, STSC, T3, W3
		L	16865-Z6J-800	1	-----	STSC

NOTE A:PART NO. CHANGE D:NEWLY PROVIDED E:PART NO.DELETION K:REQUIRED NO. CORRECTION L:APPLICATION SERIAL NO. CORRECTION
T:APPLICATION CORRECTION Z:REMARKS CHANGE



PARTS CATALOGUE NEWS

Honda Motor Co., Ltd.
Customer Service Technology Development Division

PARTS CATALOGUE - CORRECTED

Printed in Japan

CODE NO.	BOOKLET TYPE	13Z6J601
	MICRO-FICHE	13Z6J6EA/FA
PARTS CATALOGUE NEWS	GX25NT	
NEWS NO.	019	

Block No.	Ref. No.	Note	Part No.	Description	Reqd. QTY		Serial No.	Parts catalogue code
					GX	25		
E-17	7	E	17620-ZM3-053	*PART NO. DELETION				
		D	17620-ZM3-063	CAP ASSY., FUEL TANK.....	1		-----	SMTD, T3
	8	E	17620-ZM3-816	*PART NO. DELETION				
		T	17620-ZM3-817	CAP ASSY., FUEL TANK.....	1		-----	HAT, S2, S3, SAM3, SATM, SGT3, SGT9, ST3, ST3E, STSC, W3

NOTE A:PART NO. CHANGE D:NEWLY PROVIDED E:PART NO.DELETION K:REQUIRED NO. CORRECTION L:APPLICATION SERIAL NO. CORRECTION
T:APPLICATION CORRECTION Z:REMARKS CHANGE



PARTS CATALOGUE NEWS

Honda Motor Co., Ltd.
Customer Service Technology Development Division

PARTS CATALOGUE - CORRECTED

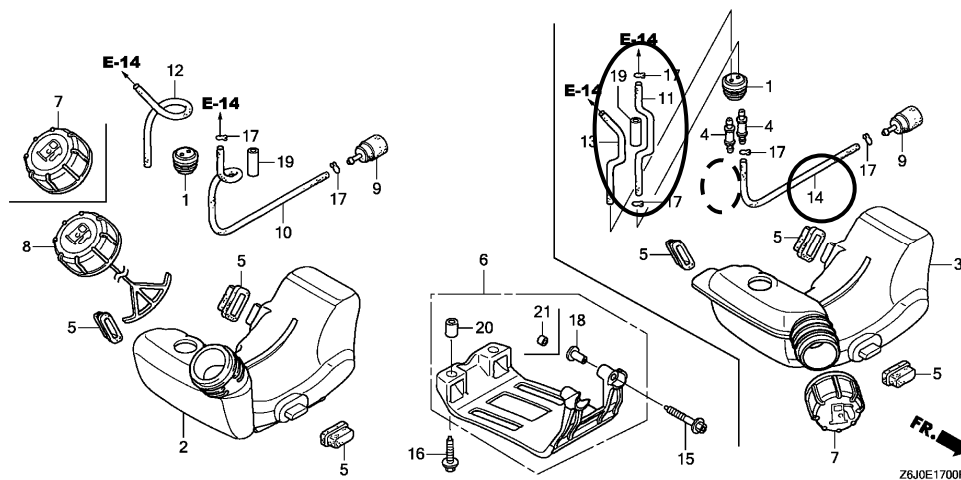
Printed in Japan

CODE NO.	BOOKLET TYPE	13Z6J601
	MICRO-FICHE	13Z6J6EA/FA
PARTS CATALOGUE NEWS	GX25NT	
NEWS NO.	020	

Block No.	Ref. No.	Note	Part No.	Description	Reqd. QTY		Serial No.	Parts catalogue code
					GX	25 NT		
E-11	11	T	90018-Z0H-003	BOLT, SOCKET, 5X16.....	1		-----	HAT, SATM, SGT3, SGT9, SMTD, ST3, ST3E, STSC
					3		-----	S2, S3, SAM3, T3, W3

E-17 FUEL TANK

ILLUSTRATION CORRECTED



NOTE A:PART NO. CHANGE D:NEWLY PROVIDED E:PART NO.DELETION K:REQUIRED NO. CORRECTION L:APPLICATION SERIAL NO. CORRECTION
M:PART DESCRIPTION CORRECTION T:APPLICATION CORRECTION Z:REMARKS CHANGE

PARTS CATALOGUE NEWS

BOOKNo. : 13Z6J601

Block No.	Ref. No.	Note	Part No.	Description	Reqd. QTY		Serial No.	Parts catalogue code
					GX 25 NT			
E-17	2	E	17511-Z0H-305	* PART NO. DELETION				
		T	17511-Z0H-023	TANK, FUEL.....	1	-----	1038979	S3, SAM3, SGT3, ST3, W3
		T	17511-Z6J-830	1	-----	-----	HAT, S2, ST3E
					1	-----	1161188	S3, SAM3, SGT3, ST3, W3

NOTE A:PART NO. CHANGE D:NEWLY PROVIDED E:PART NO. DELETION K:REQUIRED NO. CORRECTION L:APPLICATION SERIAL NO. CORRECTION
M:PART DESCRIPTION CORRECTION T:APPLICATION CORRECTION Z:REMARKS CHANGE



PARTS CATALOGUE NEWS

Honda Motor Co., Ltd.
Customer Service Technology Development Division

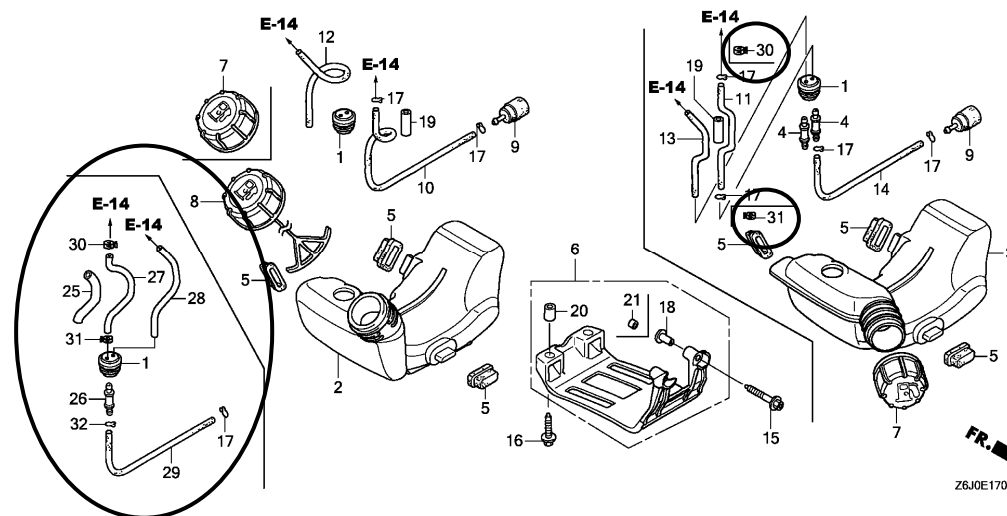
PARTS CATALOGUE - CORRECTED

Printed in Japan

CODE NO.	BOOKLET TYPE	13Z6J601
	MICRO-FICHE	13Z6J6EA/FA
PARTS CATALOGUE NEWS	GX25NT	
NEWS NO.	021	

Block No.	Ref. No.	Note	Part No.	Description	Reqd. QTY GX 25 NT	Serial No.	Parts catalogue code
-----------	----------	------	----------	-------------	-----------------------------	------------	----------------------

E-17 FUEL TANK



E-17	4	L	17519-ZM5-003	FITTING.....	2	----- 1235594	T3
------	---	---	---------------	--------------	---	---------------	----

NOTE A:PART NO. CHANGE D:NEWLY PROVIDED E:PART NO.DELETION K:REQUIRED NO. CORRECTION L:APPLICATION SERIAL NO. CORRECTION
M:PART DESCRIPTION CORRECTION T:APPLICATION CORRECTION Z:REMARKS CHANGE

PARTS CATALOGUE NEWS

BOOKNo. : 13Z6J601

Block No.	Ref. No.	Note	Part No.	Description	Reqd. QTY		Serial No.	Parts catalogue code
					GX 25 NT			
			17519-Z6J-003	JOINT, FUEL TANK.....	2		1235595 -----	T3
	10	L	17701-Z0H-003	TUBE, FUEL TANK.....	1		----- 1235594	HAT, S2, S3, SAM3, SATM, SGT3, SGT9, SMTD, ST3, ST3E, STSC, W3
	11	L	17701-Z0H-821	TUBE, FUEL TANK.....	1		1038980 1235594	T3
			17701-Z6J-003	TUBE, FUEL.....	1		1235595 -----	T3
	12	L	17702-Z0H-003	TUBE, FUEL RETURN.....	1		----- 1235594	HAT, S2, S3, SAM3, SATM, SGT3, SGT9, SMTD, ST3, ST3E, STSC, W3
	17	K	91401-ZM3-003	CLIP, TUBE.....	1		----- -----	HAT, S2, S3, SAM3, SATM, SGT3, SGT9, SMTD, ST3, ST3E, STSC, W3
					2		----- -----	T3
					1		----- 1235594	HAT, S2, S3, SAM3, SATM, SGT3, SGT9, SMTD, ST3, ST3E, STSC, W3
					2		----- 1235594	T3
	25	D	16865-Z6J-000	PROTECTOR, TUBE.....	1		1235595 -----	HAT, S2, S3, SAM3, SATM, SGT3, SGT9, SMTD, ST3, ST3E, STSC, W3
	26	D	17519-Z6J-003	JOINT, FUEL TANK.....	1		1235595 -----	HAT, S2, S3, SAM3, SATM, SGT3, SGT9, SMTD, ST3, ST3E, STSC, W3
	27	D	17701-Z6J-003	TUBE, FUEL.....	1		1235595 -----	HAT, S2, S3, SAM3, SATM, SGT3, SGT9, SMTD, ST3, ST3E, STSC, W3
	28	D	17702-Z0H-003	TUBE, FUEL RETURN.....	1		1235595 -----	HAT, S2, S3, SAM3, SATM, SGT3, SGT9, SMTD, ST3, ST3E, STSC, W3
	29	D	17703-Z0H-J71	TUBE A, FUEL.....	1		1235595 -----	HAT, S2, S3, SAM3, SATM, SGT3, SGT9, SMTD, ST3, ST3E, STSC, W3
	30	D	90601-Z6J-003	CLAMP, TUBE.....	1		1235595 -----	
	31	D	90601-Z6J-003	CLAMP, TUBE.....	1		1235595 -----	
	32	D	91401-ZM3-003	CLIP, TUBE.....	1		1235595 -----	HAT, S2, S3, SAM3, SATM, SGT3, SGT9, SMTD, ST3, ST3E, STSC, W3

NOTE A:PART NO. CHANGE D:NEWLY PROVIDED E:PART NO.DELETION K:REQUIRED NO. CORRECTION L:APPLICATION SERIAL NO. CORRECTION
M:PART DESCRIPTION CORRECTION T:APPLICATION CORRECTION Z:REMARKS CHANGE



PARTS CATALOGUE NEWS

Honda Motor Co., Ltd.
Customer Service Technology Development Division

PARTS CATALOGUE - CORRECTED

Printed in Japan

CODE NO.	13Z6J601
PARTS CATALOGUE NEWS	GX25NT
NEWS NO.	022

Block No.	Ref. No.	Note	Part No.	Description	Reqd. QTY	Serial No.		Parts catalogue code		
					GX 25 NT					
E-10	4		14400-Z3E-003	BELT, TIMING (71ZU6 G-300).....	1	-----	1254445	HAT, S2, SATM, SGT9, SMTD, ST3E, STSC		
					1	1002509	1254445	S3, SAM3, SGT3, ST3, T3, W3		
			A	14400-Z3E-013	BELT, TIMING (71ZU5 G-310).....	1	-----	1254446	-----	
E-14	23	L	16100-Z0H-043	CARBURETOR ASSY. (WYB 6D).....	1	-----	1157201	S3, SAM3, SATM, SGT3, SGT9, SMTD, ST3, STSC		
			T	16100-Z0H-053	CARBURETOR ASSY. (WYB 6F).....	1	-----	-----	HAT, S2, ST3E	
						1	-----	1157202	-----	S3, SAM3, SATM, SGT3, SGT9, SMTD, ST3, STSC, T3
			L	16100-Z0H-825	CARBURETOR ASSY. (WYB 6D).....	1	-----	1157201	T3	

NOTE A:PART NO. CHANGE D:NEWLY PROVIDED E:PART NO. DELETION K:REQUIRED NO. CORRECTION L:APPLICATION SERIAL NO. CORRECTION
M:PART DESCRIPTION CORRECTION T:APPLICATION CORRECTION Z:REMARKS CHANGE



PARTS CATALOGUE NEWS

Service Technology Department, Power Products Operations
Service Division, Honda Motor Co., Ltd.

PARTS CATALOGUE - CORRECTED

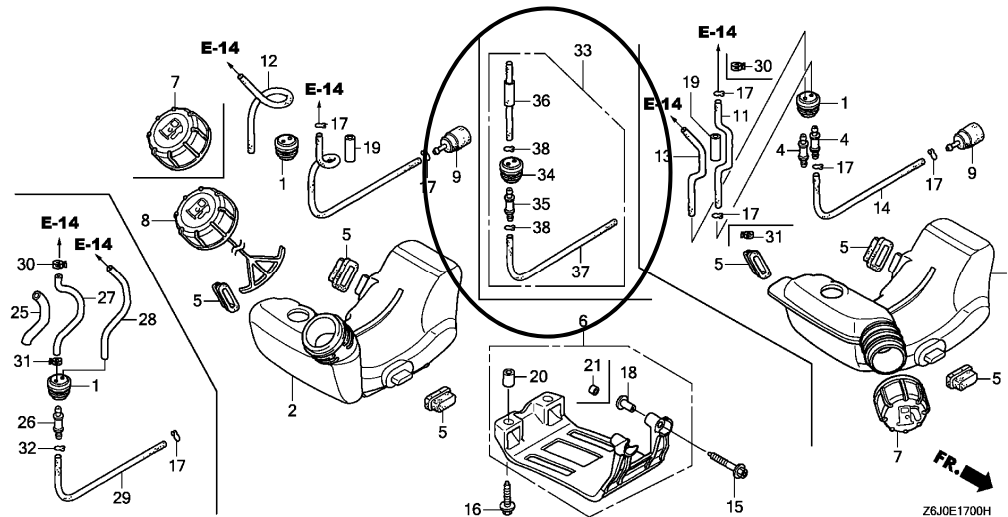
Printed in Japan

CODE NO.	13Z6J601
PARTS CATALOGUE NEWS	GX25NT
NEWS NO.	023

Block No.	Ref. No.	Note	Part No.	Description	Reqd. QTY	Serial No.	Parts catalogue code
					GX 25 NT		

E-17 FUEL TANK

Ref. No.	(Relative ref. Number)	Description	FRT
1	(33, 34)		
3101J0	GROMMET, FUEL TUBE	0.2	
29	(37)		
3101F1	TUBE, FUEL TANK	0.2	



E-17	2	T	17511-Z6J-830	TANK, FUEL.....	1	-----	HAT, S2, ST3E
					1	1161188	S3, SAM3, SATM, SGT3, SGT9, SMTD, ST3, STSC, W3

NOTE A:PART NO. CHANGE D:NEWLY PROVIDED E:PART NO. DELETION K:REQUIRED NO. CORRECTION L:APPLICATION SERIAL NO. CORRECTION
M:PART DESCRIPTION CORRECTION T:APPLICATION CORRECTION Z:REMARKS CHANGE

PARTS CATALOGUE NEWS

BOOKNo. : 13Z6J601

Block No.	Ref. No.	Note	Part No.	Description	Reqd. QTY	Serial No.		Parts catalogue code
					GX 25 NT			
	10	E	17701-Z0H-003	*PARTS NO. DELETION				
	19	T	16865-Z6J-000	PROTECTOR, TUBE.....	1	-----	-----	HAT, S2, S3, SAM3, SATM, SGT3, SGT9, SMTD, ST3, ST3E, T3, W3
	33	D	17700-Z0H-305	GROMMET ASSY., FUEL TANK.....	1	-----	1235594	HAT, S2, S3, SAM3, SATM, SGT3, SGT9, SMTD, ST3, ST3E, STSC, W3
	34	D	17504-ZM3-003	GROMMET, FUEL TUBE.....	(1)	-----	1235594	HAT, S2, S3, SAM3, SATM, SGT3, SGT9, SMTD, ST3, ST3E, STSC, W3
	35	D	17519-ZM5-003	FITTING.....	(1)	-----	1235594	HAT, S2, S3, SAM3, SATM, SGT3, SGT9, SMTD, ST3, ST3E, STSC, W3
	36	D	17701-Z0H-800	TUBE COMP., FUEL FEED.....	(1)	-----	1235594	HAT, S2, S3, SAM3, SATM, SGT3, SGT9, SMTD, ST3, ST3E, STSC, W3
	37	D	17703-Z0H-J71	TUBE A, FUEL.....	(1)	-----	1235594	HAT, S2, S3, SAM3, SATM, SGT3, SGT9, SMTD, ST3, ST3E, STSC, W3
	38	D	91401-ZM3-003	CLIP, TUBE.....	(2)	-----	1235594	HAT, S2, S3, SAM3, SATM, SGT3, SGT9, SMTD, ST3, ST3E, STSC, W3

NOTE A:PART NO. CHANGE D:NEWLY PROVIDED E:PART NO. DELETION K:REQUIRED NO. CORRECTION L:APPLICATION SERIAL NO. CORRECTION
M:PART DESCRIPTION CORRECTION T:APPLICATION CORRECTION Z:REMARKS CHANGE



PARTS CATALOGUE NEWS

Service Technology Department, Power Products Operations
Service Division, Honda Motor Co., Ltd.

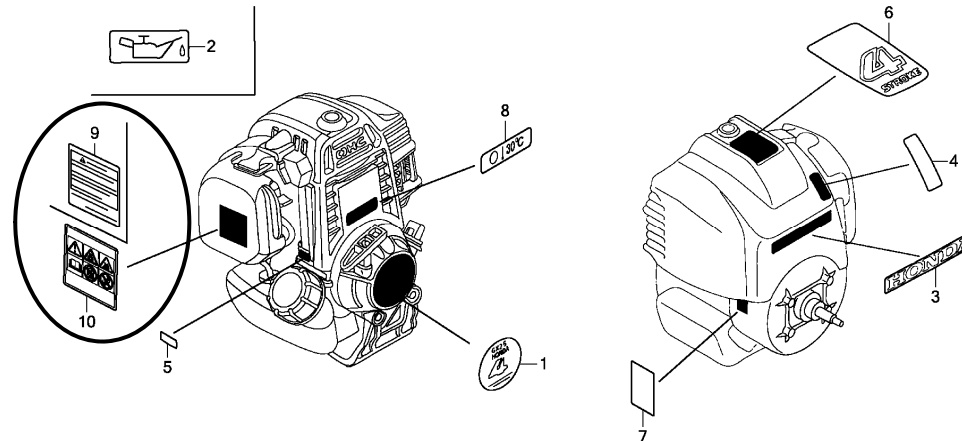
PARTS CATALOGUE - CORRECTED

Printed in Japan

CODE NO.	13Z6J601
PARTS CATALOGUE NEWS	GX25NT
NEWS NO.	024

Block No.	Ref. No.	Note	Part No.	Description	Reqd. QTY	Serial No.	Parts catalogue code
E-28					GX 25 NT		

E-28 LABEL



Z6J0E2800D

E-28	9	T	87516-Z6J-000	MARK, OPERATOR CAUTION (ENGLISH)	1	-----	HAT, S2, ST3E
					1	1156186	S3, SAM3, SATM, SGT3, SGT9, SMTD, ST3, STSC, T3, W3

NOTE A:PART NO. CHANGE D:NEWLY PROVIDED E:PART NO. DELETION K:REQUIRED NO. CORRECTION L:APPLICATION SERIAL NO. CORRECTION
M:PART DESCRIPTION CORRECTION T:APPLICATION CORRECTION Z:REMARKS CHANGE

PARTS CATALOGUE NEWS

BOOKNo. : 13Z6J601

Block No.	Ref. No.	Note	Part No.	Description	Reqd. QTY	Serial No.	Parts catalogue code
		T	87516-Z6J-800	MARK, OPERATOR CAUTION (FRENCH)	1	-----	HAT, S2, ST3E
					1	1156186	S3, SAM3, SATM, SGT3, SGT9, SMTD, ST3, STSC, T3, W3
	10	T	87519-Z6J-000	MARK, OPERATOR CAUTION (PICTOGRAPH)	1	-----	HAT, S2, ST3E
					1	1156186	S3, SAM3, SATM, SGT3, SGT9, SMTD, ST3, STSC, T3, W3

NOTE A:PART NO. CHANGE D:NEWLY PROVIDED E:PART NO. DELETION K:REQUIRED NO. CORRECTION L:APPLICATION SERIAL NO. CORRECTION
M:PART DESCRIPTION CORRECTION T:APPLICATION CORRECTION Z:REMARKS CHANGE



PARTS CATALOGUE NEWS

Service Technology Department, Power Products Operations
Service Division, Honda Motor Co., Ltd.

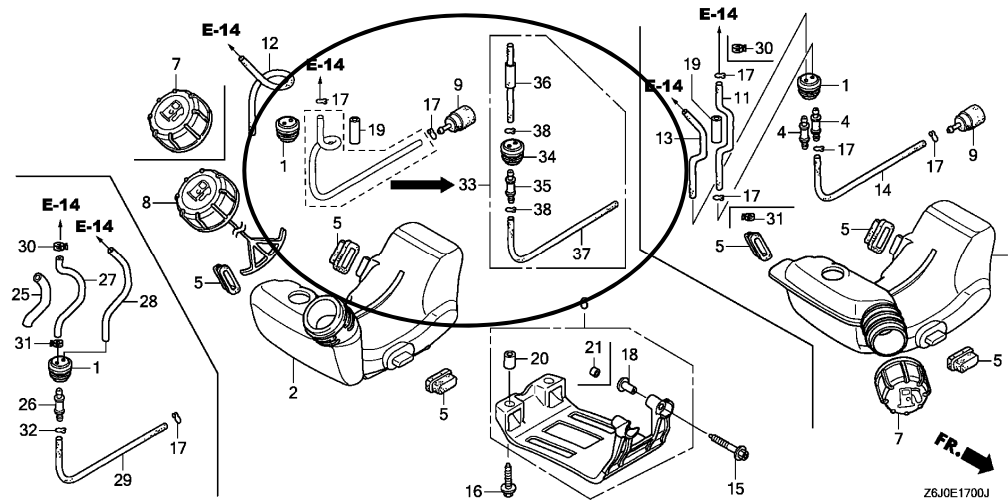
PARTS CATALOGUE - CORRECTED

Printed in Japan

CODE NO.	13Z6J601
PARTS CATALOGUE NEWS	GX25NT
NEWS NO.	025

E-17 FUEL TANK

※The illustration is corrected as follows.



NOTE A:PART NO. CHANGE D:NEWLY PROVIDED E:PART NO. DELETION K:REQUIRED NO. CORRECTION L:APPLICATION SERIAL NO. CORRECTION
M:PART DESCRIPTION CORRECTION T:APPLICATION CORRECTION Z:REMARKS CHANGE



PARTS CATALOGUE NEWS

Service Technology Department, Power Products Operations
Service Division, Honda Motor Co., Ltd.

PARTS CATALOGUE - CORRECTED

Printed in Japan

CODE NO.	13Z6J601
PARTS CATALOGUE NEWS	GX25NT
NEWS NO.	026

Block No.	Ref. No.	Note	Part No.	Description	Reqd. QTY	Serial No.	Parts catalogue code
					GX 25 NT		
E-7	2	L	13101-Z0H-000	PISTON.....	1	----- 1190433	S2, S3, SAM3, SATM, SGT3, SGT9, SMTD, ST3, ST3E, STSC, T3
					1	----- 1191323	W3
	D	13101-Z0H-010	1	----- 1294651	HAT	
				1	1190434 1294651	S2, S3, SAM3, SATM, SGT3, SGT9, SMTD, ST3, ST3E, STSC, T3	
	D	13101-Z3E-000	PISTON (STD.).....	1	1191324 1295166	W3	
				1	1294652 -----	HAT, S2, S3, SAM3, SATM, SGT3, SGT9, SMTD, ST3, ST3E, STSC, T3	
	4	L	13310-Z0H-020	CRANKSHAFT COMP.....	1	1295167 -----	W3
					1	----- 1190433	S2, S3, SAM3, SATM, SGT3, SGT9, SMTD, ST3, ST3E, STSC, T3
		T	13310-Z0H-030	1	----- 1294651	HAT
					1	1190434 1294651	S2, S3, SAM3, SATM, SGT3, SGT9, SMTD, ST3, ST3E, STSC, T3
		L	13310-Z0H-801	1	----- 1191323	W3
					1	1191324 1295166	W3
		D	13310-Z3E-000	1	1294652 -----	HAT, S2, S3, SAM3, SATM, SGT3, SGT9, SMTD, ST3, ST3E, STSC, T3
	D	13310-Z3E-800	1	1295167 -----	W3	
7	L	13310-Z0H-305	CRANKSHAFT COMP.....	(1)	----- 1294651	HAT, SATM, SMTD	

NOTE A:PART NO. CHANGE D:NEWLY PROVIDED E:PART NO. DELETION K:REQUIRED NO. CORRECTION L:APPLICATION SERIAL NO. CORRECTION
M:PART DESCRIPTION CORRECTION T:APPLICATION CORRECTION Z:REMARKS CHANGE

PARTS CATALOGUE NEWS

BOOKNo. :13Z6J601

Block No.	Ref. No.	Note	Part No.	Description	Reqd. QTY	Serial No.	Parts catalogue code
					GX 25 NT		
		D	13310-Z3E-305	(1)	1294652 -----	HAT, S2, S3, SAM3, SATM, SGT3, SGT9, SMTD, ST3, ST3E, STSC, T3
		D	13310-Z3E-306	(1)	1295167 -----	W3

NOTE A:PART NO. CHANGE D:NEWLY PROVIDED E:PART NO.DELETION K:REQUIRED NO. CORRECTION L:APPLICATION SERIAL NO. CORRECTION
M:PART DESCRIPTION CORRECTION T:APPLICATION CORRECTION Z:REMARKS CHANGE



PARTS CATALOGUE NEWS

Service Technology Department, Power Products Operations
Service Division, Honda Motor Co., Ltd.

PARTS CATALOGUE - CORRECTED

Printed in Japan

CODE NO.	13Z6J601
PARTS CATALOGUE NEWS	GX25NT
NEWS NO.	027

Block No.	Ref. No.	Note	Part No.	Description	Reqd. QTY	Serial No.	Parts catalogue code
					GX 25 NT		
E-15	4	L	17231-Z0H-000	COVER, AIR CLEANER.....	1	----- 1156185	S3, SAM3, SATM, SGT3, SGT9, SMTD, ST3, STSC, W3
			17231-Z0H-010	1	-----	S2, ST3E
						1	1156186
E-15-1	4		17231-Z0H-801	COVER, AIR CLEANER.....	1	----- 1154345	T3
		A	17231-Z0H-802	1	1154346	T3
E-16	1		18310-Z0H-800	MUFFLER COMP.....	1	----- 1287982	HAT, S2, S3, SAM3, SGT3, SGT9, SMTD, ST3, ST3E, STSC, W3
		A	18310-Z0H-801	1	1287983	HAT, S2, S3, SAM3, SGT3, SGT9, SMTD, ST3, ST3E, STSC, W3

NOTE A:PART NO. CHANGE D:NEWLY PROVIDED E:PART NO. DELETION K:REQUIRED NO. CORRECTION L:APPLICATION SERIAL NO. CORRECTION
M:PART DESCRIPTION CORRECTION T:APPLICATION CORRECTION Z:REMARKS CHANGE



PARTS CATALOGUE NEWS

Service Technology Department, Power Products Operations
 Service Division, Honda Motor Co., Ltd.

PARTS CATALOGUE - CORRECTED

Printed in Japan

CODE NO.	13Z6J601
PARTS CATALOGUE NEWS	GX25NT
NEWS NO.	028

Block No.	Ref. No.	Note	Part No.	Description	Reqd. QTY	Serial No.		Parts catalogue code		
					GX 25 NT					
E-19	1	A	30500-Z3E-004	COIL ASSY., IGNITION (IKEDA)	1	1334027	-----	HAT, S3, SAM3, SGT9, ST3, STSC, T3		
				(USE FOR F/W OF IKEDA).....	1	1334229	-----	W3		
			30500-Z3E-013	COIL ASSY., IGNITION (TEC)	1	-----	-----	S2, SATM, SGT3, SMTD, ST3E		
				(USE FOR F/W OF TEC).....	1	-----	1334026	HAT, S3, SAM3, SGT9, ST3, STSC, T3		
					1	-----	1334228	W3		
	2			31110-Z3E-003	FLYWHEEL COMP. (TEC)	1	-----	-----	S2, SATM, SGT3, SMTD, ST3E	
					(USE FOR IGN. COIL OF TEC).....	1	-----	1334026	HAT, S3, SAM3, SGT9, ST3, STSC, T3	
				A	31110-Z3E-004	FLYWHEEL COMP. (IKEDA)	1	1334027	-----	HAT, S3, SAM3, SGT9, ST3, STSC, T3
						(USE FOR IGN. COIL OF IKEDA).....	1	-----	1334228	W3
						31110-Z3E-811	FLYWHEEL COMP. (TEC)	1	-----	1334228
	(USE FOR IGN. COIL OF TEC).....	1	-----	1334229	-----	W3				
A	31110-Z3E-812	FLYWHEEL COMP. (IKEDA)	1	1334229	-----	W3				
	(USE FOR IGN. COIL OF IKEDA).....	1	-----	-----	-----	-----				

NOTE A:PART NO. CHANGE D:NEWLY PROVIDED E:PART NO. DELETION K:REQUIRED NO. CORRECTION L:APPLICATION SERIAL NO. CORRECTION
 M:PART DESCRIPTION CORRECTION T:APPLICATION CORRECTION Z:REMARKS CHANGE



PARTS CATALOGUE NEWS

Service Technology Department, Power Products Operations
Service Division, Honda Motor Co., Ltd.

PARTS CATALOGUE - CORRECTED

Printed in Japan

CODE NO.	13Z6J601
PARTS CATALOGUE NEWS	GX25NT
NEWS NO.	029

Block No.	Ref. No.	Note	Part No.	Description	Reqd. QTY	Serial No.	Parts catalogue code
E-10	5	M	14711-Z0H-800	VALVE, IN. (HI).....	1		
		D	14711-Z3E-000	VALVE, IN. (EI).....	1		
	6	M	14721-Z0H-800	VALVE, EX. (HE).....	1		
		D	14721-Z3E-000	VALVE, EX. (EE).....	1		

NOTE A:PART NO. CHANGE D:NEWLY PROVIDED E:PART NO. DELETION K:REQUIRED NO. CORRECTION L:APPLICATION SERIAL NO. CORRECTION
M:PART DESCRIPTION CORRECTION T:APPLICATION CORRECTION Z:REMARKS CHANGE



PARTS CATALOGUE NEWS

Service Technology Department, Power Products Operations
 Service Division, Honda Motor Co., Ltd.

PARTS CATALOGUE - CORRECTED

Printed in Japan

CODE NO.	13Z6J601
PARTS CATALOGUE NEWS	GX25NT
NEWS NO.	030

Block No.	Ref. No.	Note	Part No.	Description	Reqd. QTY	Serial No.		Parts catalogue code		
					GX 25 NT					
E-14	5		16015-Z0H-013	BODY ASSY., PUMP.	1	-----	-----	S2, SATM, SGT3, SMTD, ST3E		
				(CARBURETOR NO.)	1	-----	WYB 6F	HAT, S3, SAM3, SGT9, ST3, STSC, T3		
				(CARBURETOR NO.)	1	-----	WYB 10C	W3		
	A		16015-Z6J-013	(CARBURETOR NO.)	1	WYB 34A	-----	HAT, S3, SAM3, SGT9, ST3, STSC, T3		
				(CARBURETOR NO.)	1	WYB 35A	-----	W3		
	23		16100-Z0H-053	CARBURETOR ASSY. (WYB 6F).....	1	-----	-----	S2, ST3E		
					1	-----	1333626	HAT		
					1	1157202	-----	SATM, SGT3, SMTD		
					1	1157202	1333626	S3, SAM3, SGT9, ST3, STSC, T3		
					1	1196504	1333626	W3		
A					16100-Z6J-013	CARBURETOR ASSY. (WYB 34A).....	1	1333627	-----	HAT, S3, SAM3, SGT9, ST3, STSC, T3
A					16100-Z6J-802	CARBURETOR ASSY. (WYB 35A).....	1	1333627	-----	W3
27		19631-Z0H-000	SHROUD.	1	-----	-----	S2, SATM, SGT3, SMTD, ST3E			
				1	-----	1333626	HAT, S3, SAM3, SGT9, ST3, STSC, T3, W3			

NOTE A:PART NO. CHANGE D:NEWLY PROVIDED E:PART NO. DELETION K:REQUIRED NO. CORRECTION L:APPLICATION SERIAL NO. CORRECTION
 M:PART DESCRIPTION CORRECTION T:APPLICATION CORRECTION Z:REMARKS CHANGE

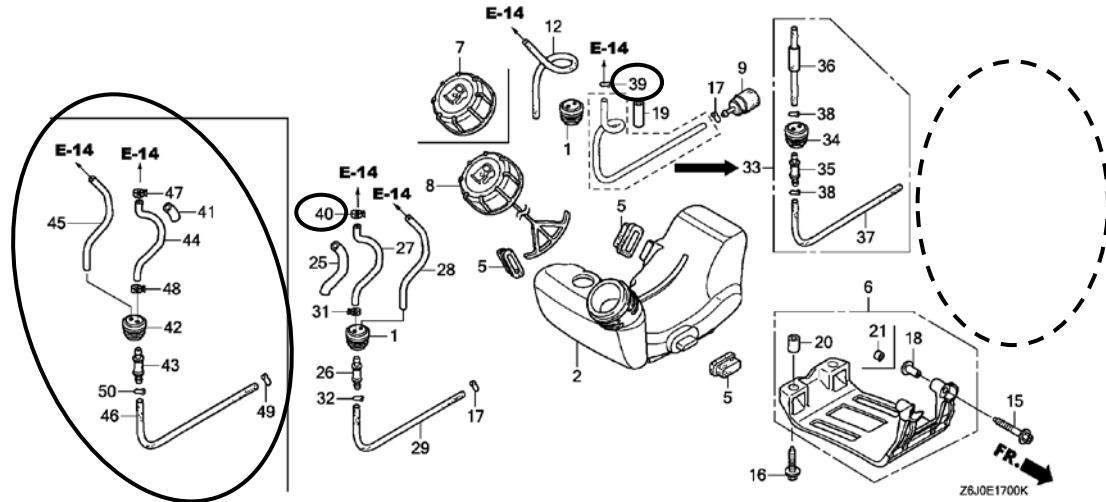
PARTS CATALOGUE NEWS

BOOKNo. :13Z6J601

Block No.	Ref. No.	Note	Part No.	Description	Reqd. QTY	Serial No.	Parts catalogue code
		A	19631-Z0H-010	1	1333627	HAT, S3, SAM3, SGT9, ST3, STSC, T3, W3
E-15	3	E	17220-Z0H-000	*PARTS NO. DELETION			
		E	17220-Z0H-010	*PARTS NO. DELETION			
		D	17220-Z0H-020	CASE COMP., AIR CLEANER.....	1	-----	S2, S3, SAM3, SATM, SGT3, SGT9, SMTD, ST3, ST3E, STSC, W3
E-16	2	E	18310-Z0H-840	*PARTS NO. DELETION			
		D	18310-Z0H-841	MUFFLER COMP. (ARRESTER).....	1	-----	SATM, T3

E-17 FUEL TANK(1)

Ref. No.	(Relative ref. Number)	Description	FRT
1	(33, 34, 42)		
3101J0	GROMMET, FUEL TUBE	0.2	
8	(7)		
3101M7	CAP. FUEL FILLER	0.1	
28	(27, 44, 45)		
3101L8	TUBE, FUEL RETURN	0.2	
29	(37, 46)		
3101F1	TUBE, FUEL TANK	0.2	



E-17	1	T	17504-ZM3-003	GROMMET, FUEL TUBE.....	1	-----	S2, SATM, SGT3, SMTD, ST3E
					1	1333626	HAT, S3, SAM3, SGT9, ST3, STSC, W3
	2		17511-Z6J-830	TANK, FUEL.....	1	-----	S2, ST3E
					1	1333626	HAT
					1	1161188	SATM, SGT3, SMTD
					1	1161188 1333626	S3, SAM3, SGT9, ST3, STSC, W3

NOTE A:PART NO. CHANGE D:NEWLY PROVIDED E:PART NO. DELETION K:REQUIRED NO. CORRECTION L:APPLICATION SERIAL NO. CORRECTION
M:PART DESCRIPTION CORRECTION T:APPLICATION CORRECTION Z:REMARKS CHANGE

PARTS CATALOGUE NEWS

BOOKNo. :13Z6J601

Block No.	Ref. No.	Note	Part No.	Description	Reqd. QTY		Serial No.	Parts catalogue code
					GX 25 NT			
		A	17511-Z6J-831	1		1333627 -----	HAT, S3, SAM3, SGT9, ST3, STSC, W3
	3	E	17511-Z0H-823	*PARTS NO. DELETION				
		E	17511-Z6J-821	*PARTS NO. DELETION				
		E	17511-Z6J-840	*PARTS NO. DELETION				
	4	E	17519-Z6J-003	*PARTS NO. DELETION				
		E	17519-ZM5-003	*PARTS NO. DELETION				
	5	T	17533-Z0H-000	RUBBER, TANK MOUNTING.....	1		-----	HAT, S2, S3, SAM3, SATM, SGT3, SGT9, SMTD, ST3, ST3E, STSC, W3
	7	T	17620-ZM3-063	CAP ASSY., FUEL TANK.....	1		-----	SMTD
	11	E	17701-Z0H-820	*PARTS NO. DELETION				
		E	17701-Z0H-821	*PARTS NO. DELETION				
		E	17701-Z6J-003	*PARTS NO. DELETION				
	12	T	17702-Z0H-003	TUBE, FUEL RETURN.....	1		----- 1235594	HAT, S2, S3, SAM3, SATM, SGT3, SGT9, SMTD, ST3, ST3E, STSC, W3
	13	E	17702-Z0H-820	*PARTS NO. DELETION				
		E	17702-Z0H-821	*PARTS NO. DELETION				
	14	E	17703-Z0H-820	*PARTS NO. DELETION				
		E	17703-Z0H-821	*PARTS NO. DELETION				
	17	T	91401-ZM3-003	CLIP, TUBE.....	1		-----	S2, SATM, SGT3, SMTD, ST3E
					1		----- 1333626	HAT, S3, SAM3, SGT9, ST3, STSC, W3
	19	T	16865-Z6J-000	PROTECTOR, TUBE.....	1		-----	HAT, S2, S3, SAM3, SATM, SGT3, SGT9, SMTD, ST3, ST3E, W3
	25	L	16865-Z6J-000	PROTECTOR, TUBE.....	1		1235595 1333626	HAT, S3, SAM3, SGT9, ST3, STSC, W3
					1		1235595 -----	S2, SATM, SGT3, SMTD, ST3E
	26	L	17519-Z6J-003	JOINT, FUEL TANK.....	1		1235595 1333626	HAT, S3, SAM3, SGT9, ST3, STSC, W3
					1		1235595 -----	S2, SATM, SGT3, SMTD, ST3E
	27	L	17701-Z6J-003	TUBE, FUEL.....	1		1235595 1333626	HAT, S3, SAM3, SGT9, ST3, STSC, W3

NOTE A:PART NO. CHANGE D:NEWLY PROVIDED E:PART NO.DELETION K:REQUIRED NO. CORRECTION L:APPLICATION SERIAL NO. CORRECTION
M:PART DESCRIPTION CORRECTION T:APPLICATION CORRECTION Z:REMARKS CHANGE

PARTS CATALOGUE NEWS

BOOKNo. :13Z6J601

Block No.	Ref. No.	Note	Part No.	Description	Reqd. QTY		Serial No.	Parts catalogue code
					GX 25 NT			
					1		1235595	----- S2, SATM, SGT3, SMTD, ST3E
	28	L	17702-Z0H-003	TUBE, FUEL RETURN.....	1		1235595 1333626	HAT, S3, SAM3, SGT9, ST3, STSC, W3
					1		1235595	----- S2, SATM, SGT3, SMTD, ST3E
	29	L	17703-Z0H-J71	TUBE A, FUEL.....	1		1235595 1333626	HAT, S3, SAM3, SGT9, ST3, STSC, W3
					1		1235595	----- S2, SATM, SGT3, SMTD, ST3E
	30	E	90601-Z6J-003	*PARTS NO. DELETION				
	31	L	90601-Z6J-003	CLAMP, TUBE.....	1		1235595 1333626	HAT, S3, SAM3, SGT9, ST3, STSC, W3
					1		1235595	----- S2, SATM, SGT3, SMTD, ST3E
	32	L	91401-ZM3-003	CLIP, TUBE.....	1		1235595 1333626	HAT, S3, SAM3, SGT9, ST3, STSC, W3
					1		1235595	----- S2, SATM, SGT3, SMTD, ST3E
	39	D	91401-ZM3-003	CLIP, TUBE.....	1		----- 1235594	HAT, S2, S3, SAM3, SATM, SGT3, SGT9, SMTD, ST3, ST3E, STSC, W3
	40	D	90601-Z6J-003	CLAMP, TUBE.....	1		1235595	----- S2, SATM, SGT3, SMTD, ST3E
					1		1235595 1333626	HAT, S3, SAM3, SGT9, ST3, STSC, W3
	41	D	16865-Z6J-010	PROTECTOR, TUBE.....	1		1333627	----- HAT, S3, SAM3, SGT9, ST3, STSC, W3
	42	D	17504-ZM3-003	GROMMET, FUEL TUBE.....	1		1333627	----- HAT, S3, SAM3, SGT9, ST3, STSC, W3
	43	D	17519-Z6J-003	JOINT, FUEL TANK.....	1		1333627	----- HAT, S3, SAM3, SGT9, ST3, STSC, W3
	44	D	17701-Z6J-013	TUBE, FUEL.....	1		1333627	----- HAT, S3, SAM3, SGT9, ST3, STSC, W3
	45	D	17702-Z0H-003	TUBE, FUEL RETURN.....	1		1333627	----- HAT, S3, SAM3, SGT9, ST3, STSC, W3
	46	D	17703-Z0H-J71	TUBE A, FUEL.....	1		1333627	----- HAT, S3, SAM3, SGT9, ST3, STSC, W3
	47	D	90601-Z6J-801	CLAMP, TUBE (D5. 5).....	1		1333627	----- HAT, S3, SAM3, SGT9, ST3, STSC, W3
	48	D	90601-Z6J-801	CLAMP, TUBE (D5. 5).....	1		1333627	----- HAT, S3, SAM3, SGT9, ST3, STSC, W3
	49	D	91401-Z3E-000	CLIP, TUBE (B1 5).....	1		1333627	----- HAT, S3, SAM3, SGT9, ST3, STSC, W3
	50	D	91401-Z3E-000	CLIP, TUBE (B1 5).....	1		1333627	----- HAT, S3, SAM3, SGT9, ST3, STSC, W3

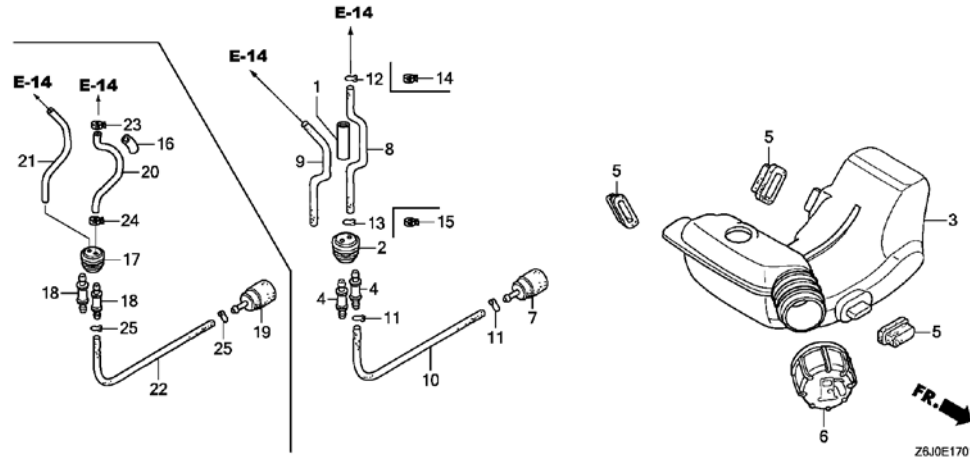
NOTE A:PART NO. CHANGE D:NEWLY PROVIDED E:PART NO.DELETION K:REQUIRED NO. CORRECTION L:APPLICATION SERIAL NO. CORRECTION
M:PART DESCRIPTION CORRECTION T:APPLICATION CORRECTION Z:REMARKS CHANGE

BOOKNo. :13Z6J601

Block No.	Ref. No.	Note	Part No.	Description	Reqd. QTY	Serial No.	Parts catalogue code
					GX 25 NT		

E-17-1 FUEL TANK (2)

Ref. No.	(Relative ref. Number)	Description	FRT
2	(17)		
3101J0		GROMMET, FUEL TUBE	0.2
3101H7		TANK, FUEL	0.2
63101M7		CAP, FUEL FILLER	0.1
7	(19)		
3101A6		FILTER, FUEL	0.2
9	(8, 20, 21)		
3101L8		TUBE, FUEL RETURN	0.2
10	(22)		
3101F1		TUBE, FUEL TANK	0.2



E-17-1	1	D	16865-Z6J-000	PROTECTOR, TUBE.....	1	-----	1333626	T3
	2	D	17504-ZM3-003	GROMMET, FUEL TUBE.....	1	-----	1333626	T3
	3	D	17511-Z0H-823	TANK, FUEL.....	1	-----	1038979	T3
		D	17511-Z6J-821	1	1038980	1159427	T3
		D	17511-Z6J-840	1	1159428	1333626	T3
		D	17511-Z6J-841	1	1333627	-----	T3
	4	D	17519-Z6J-003	JOINT, FUEL TANK.....	2	1235595	1333626	T3
		D	17519-ZM5-003	FITTING.....	2	-----	1235594	T3
	5	D	17533-Z0H-000	RUBBER, TANK MOUNTING.....	3	-----	-----	T3
	6	D	17620-ZM3-063	CAP ASSY., FUEL TANK.....	1	-----	-----	T3
	7	D	17672-Z0H-003	FILTER, FUEL.....	1	-----	1333626	T3
	8	D	17701-Z0H-820	TUBE, FUEL TANK.....	1	-----	1038979	T3

NOTE A:PART NO. CHANGE D:NEWLY PROVIDED E:PART NO. DELETION K:REQUIRED NO. CORRECTION L:APPLICATION SERIAL NO. CORRECTION
M:PART DESCRIPTION CORRECTION T:APPLICATION CORRECTION Z:REMARKS CHANGE

PARTS CATALOGUE NEWS

BOOKNo. :13Z6J601

Block No.	Ref. No.	Note	Part No.	Description	Reqd. QTY		Serial No.	Parts catalogue code
					GX 25 NT			
		D	17701-Z0H-821	1		1038980 1235594	T3
		D	17701-Z6J-003	TUBE, FUEL.....	1		1235595 1333626	T3
	9	D	17702-Z0H-820	TUBE, FUEL RETURN.....	1		----- 1038979	T3
		D	17702-Z0H-821	1		1038980 1333626	T3
	10	D	17703-Z0H-820	TUBE A, FUEL.....	1		----- 1038979	T3
		D	17703-Z0H-821	1		1038980 1333626	T3
	11	D	91401-ZM3-003	CLIP, TUBE.....	2		----- 1333626	T3
	12	D	91401-ZM3-003	CLIP, TUBE.....	1		----- 1235594	T3
	13	D	91401-ZM3-003	CLIP, TUBE.....	1		----- 1235594	T3
	14	D	90601-Z6J-003	CLAMP, TUBE.....	1		1235595 1333626	T3
	15	D	90601-Z6J-003	CLAMP, TUBE.....	1		1235595 1333626	T3
	16	D	16865-Z6J-010	PROTECTOR, TUBE.....	1		1333627 -----	T3
	17	D	17504-ZM3-003	GROMMET, FUEL TUBE.....	1		1333627 -----	T3
	18	D	17519-Z6J-003	JOINT, FUEL TANK.....	2		1333627 -----	T3
	19	D	17672-Z0H-003	FILTER, FUEL.....	1		1333627 -----	T3
	20	D	17701-Z6J-013	TUBE, FUEL.....	1		1333627 -----	T3
	21	D	17702-Z6K-003	TUBE, FUEL RETURN.....	1		1333627 -----	T3
	22	D	17703-Z0H-821	TUBE A, FUEL.....	1		1333627 -----	T3
	23	D	90601-Z6J-801	CLAMP, TUBE (D5.5).....	1		1333627 -----	T3
	24	D	90601-Z6J-801	CLAMP, TUBE (D5.5).....	1		1333627 -----	T3
	25	D	91401-Z3E-000	CLIP, TUBE (B1 5).....	2		1333627 -----	T3

NOTE A:PART NO. CHANGE D:NEWLY PROVIDED E:PART NO.DELETION K:REQUIRED NO. CORRECTION L:APPLICATION SERIAL NO. CORRECTION
M:PART DESCRIPTION CORRECTION T:APPLICATION CORRECTION Z:REMARKS CHANGE

October 02, 2017



PARTS CATALOGUE NEWS

Service Technology Department, Power Products Operations
 Service Division, Honda Motor Co., Ltd.

PARTS CATALOGUE - CORRECTED

Printed in Japan

CODE NO.	13Z6J601
PARTS CATALOGUE NEWS	GX25NT
NEWS NO.	031

Block No.	Ref. No.	Note	Part No.	Description	Reqd. QTY GX 25 NT	Serial No.	Parts catalogue code
E-7	1	D	13010-Z3E-003	RING SET, PISTON (TPR).....	1	1337583 -----	HAT, S3, SAM3, SGT9, ST3, STSC, T3, W3

NOTE A:PART NO. CHANGE D:NEWLY PROVIDED E:PART NO. DELETION K:REQUIRED NO. CORRECTION L:APPLICATION SERIAL NO. CORRECTION
 M:PART DESCRIPTION CORRECTION T:APPLICATION CORRECTION Z:REMARKS CHANGE



PARTS CATALOGUE NEWS

Service Technology Department, Power Products Operations
 Service Division, Honda Motor Co., Ltd.

PARTS CATALOGUE - CORRECTED

Printed in Japan

CODE NO.	13Z6J601
PARTS CATALOGUE NEWS	GX25NT
NEWS NO.	032

Block No.	Ref. No.	Note	Part No.	Description	Reqd. QTY	Serial No.	Parts catalogue code
E-16	7		90011-Z0H-003	BOLT, SOCKET, 5X10(CT).....	1	-----	HAT
					1	-----	1276014 S2, S3, SAM3, SATM, SGT3, SGT9, SMTD, ST3, ST3E, STSC, T3, W3
		A	90011-Z3E-901	BOLT, SOCKET, 5X10.....	1	1276015	S2, S3, SAM3, SATM, SGT3, SGT9, SMTD, ST3, ST3E, STSC, T3, W3

NOTE A:PART NO. CHANGE D:NEWLY PROVIDED E:PART NO. DELETION K:REQUIRED NO. CORRECTION L:APPLICATION SERIAL NO. CORRECTION
 M:PART DESCRIPTION CORRECTION T:APPLICATION CORRECTION Z:REMARKS CHANGE

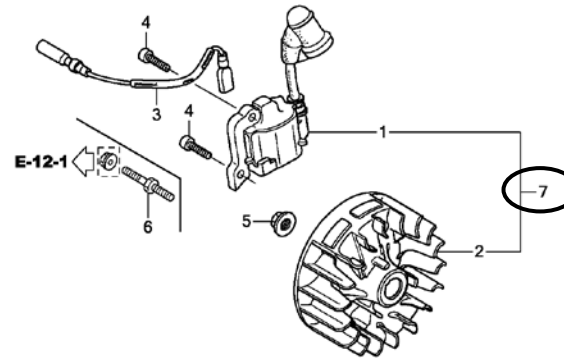
PARTS CATALOGUE NEWS

BOOKNo. :13Z6J601

Block No.	Ref. No.	Note	Part No.	Description	Reqd. QTY GX 25 NT	Serial No.	Parts catalogue code
-----------	----------	------	----------	-------------	-----------------------------	------------	----------------------

E-19 FLYWHEEL

Ref. No.	(Relative ref. Number)	Description	FRT
2	(7)	FLYWHEEL	0.3



Z6J0E1900B

E-19	1	E	30500-Z3E-013	*PART NO. DELETION			
	2	E	31110-Z3E-003	*PART NO. DELETION			
		E	31110-Z3E-811	*PART NO. DELETION			
	7	D	06301-Z3E-000	IGNITION COIL & FLYWHEEL KIT..	1	-----	S2, SATM, SGT3, SMTD, ST3E
					1	-----	1334026 HAT, S3, SAM3, SGT9, ST3, STSC, T3
		D	06301-YH4-000	IGNITION COIL & FLYWHEEL KIT..	1	-----	1334228 W3

NOTE A:PART NO. CHANGE D:NEWLY PROVIDED E:PART NO. DELETION K:REQUIRED NO. CORRECTION L:APPLICATION SERIAL NO. CORRECTION
M:PART DESCRIPTION CORRECTION T:APPLICATION CORRECTION Z:REMARKS CHANGE

HONDA PARTS CATALOGUE NEWS

Service Information Department, Power Product Operations
Service Division, Honda Motor Co., Ltd.

CODE NO.	13Z6J601
PARTS CATALOGUE NEWS	GX25NT
NEWS NO.	033

GX25NT- S3/A, ST3/A, STSC/A, T3/A, W3/A and HAT/A TYPES sales parts information

NOTE: This Parts Catalogue News explains only the parts of the different model that are produced to conform to addition of the GX25NT- S3/A, ST3/A, STSC/A, T3/A, W3/A and HAT/A types.

As for the parts not listed on this Parts Catalogue News, use the parts of the GX25T- S3, ST3, STSC, T3 W3 and HAT types.

•Models, parts catalogue codes and applicable serial numbers

Model	Type		Parts catalogue type	Applicable engine serial No.	Applicable carburetor identification No.
GX25NT	S3	Base type	S3	GCART-1000001~	WYB 34A, WYB 34A/B
		Additional type	S3/A	GCART-2000001~	WYB 46
	ST3	Base type	ST3	GCART-1000001~	WYB 34A, WYB 34A/B
		Additional type	ST3/A	GCART-2000001~	WYB 46
	STSC	Base type	STSC	GCART-1000001~	WYB 34A, WYB 34A/B
		Additional type	STSC/A	GCART-2000001~	WYB 46
	T3	Base type	T3	GCART-1000001~	WYB 34A, WYB 34A/B
		Additional type	T3/A	GCART-2000001~	WYB 46
	W3	Base type	W3	GCART-1000001~	WYB 12B, WYB 35/35A, WYB 35A/B
		Additional type	W3/A	GCART-2000001~	WYB 47
	HAT	Base type	HAT	GCART-1000001~	WYB 34A, WYB 34A/B
		Additional type	HAT/A	GCART-2000001~	WYB 46

PARTS CATALOGUE NEWS

BOOKNo. : 13Z6J601

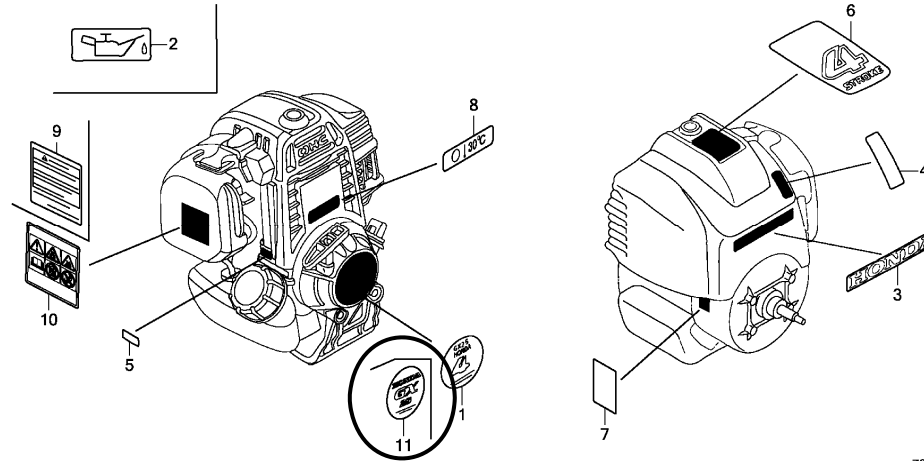
Block No.	Ref. No.	Part No.	Description	Reqd. QTY		Base Part No.	Parts catalogue code
				GX 25 NT			
E-2	1	10100-Z3E-415	CRANKCASE SET.....	1		10100-Z3E-405	HAT/A, S3/A, ST3/A, STSC/A, T3/A, W3/A
E-11	1		STARTER ASSY., RECOIL (FOR U. S. A.)	0		28400-Z0H-315	S3/A, ST3/A, T3/A
E-14	23	16100-Z6J-WB2	CARBURETOR ASSY. (WYB 46).....	1		16100-Z6J-013	HAT/A, S3/A, ST3/A, STSC/A, T3/A
		16100-Z6J-WC2	CARBURETOR ASSY. (WYB 47).....	1		16100-Z6J-802	W3/A
	33	99101-ZM5-0340	JET (#34).....	(1)		99101-Z0H-0320	HAT/A, S3/A, ST3/A, STSC/A, T3/A, W3/A
		99101-ZM5-0350	JET (#35).....	1		99101-ZM5-0340	HAT/A, S3/A, ST3/A, STSC/A, T3/A, W3/A
				(0)		99101-Z0H-0320	HAT/A, S3/A, ST3/A, STSC/A, T3/A, W3/A
E-17	1		GROMMET, FUEL TUBE.....	0		17504-ZM3-003	HAT/A, S3/A, ST3/A, STSC/A, W3/A
	8	17620-ZM3-818	CAP ASSY., FUEL TANK.....	1		17620-ZM3-817	HAT/A, S3/A, ST3/A, STSC/A, W3/A
	17		CLIP, TUBE.....	0		91401-ZM3-003	HAT/A, S3/A, ST3/A, STSC/A, W3/A
	19		PROTECTOR, TUBE.....	0		16865-Z6J-000	HAT/A, S3/A, ST3/A, W3/A
			PROTECTOR, TUBE.....	0		16865-Z6J-800	STSC/A
	25		PROTECTOR, TUBE.....	0		16865-Z6K-000	HAT/A, S3/A, ST3/A, STSC/A, W3/A
	26		JOINT, FUEL TANK.....	0		17519-Z6J-003	HAT/A, S3/A, ST3/A, STSC/A, W3/A
	27		TUBE, FUEL.....	0		17701-Z6J-003	HAT/A, S3/A, ST3/A, STSC/A, W3/A
	28		TUBE A, FUEL.....	0		17703-Z0H-J71	HAT/A, S3/A, ST3/A, STSC/A, W3/A
E-17-1	2		GROMMET, FUEL TUBE.....	0		17504-ZM3-003	T3/A
	6	17620-ZM3-073	CAP ASSY., FUEL TANK.....	1		17620-ZM3-063	T3/A
	7		FILTER, FUEL.....	0		17672-Z0H-003	T3/A
	12		CLIP, TUBE.....	0		91401-ZM3-003	T3/A
E-27	1	19720-Z0H-010ZB	COVER COMP., TOP *R280*..... POWER RED	1		19720-Z0H-000ZB	S3/A, ST3/A, W3/A
	4	19720-Z6J-801ZA	COVER COMP., TOP *R280*..... POWER RED	1		19720-Z6J-800ZA	STSC/A

NOTE A:PART NO. CHANGE D:NEWLY PROVIDED E:PART NO. DELETION K:REQUIRED NO. CORRECTION L:APPLICATION SERIAL NO. CORRECTION
M:PART DESCRIPTION CORRECTION T:APPLICATION CORRECTION Z:REMARKS CHANGE

PARTS CATALOGUE NEWS

BOOKNo. : 13Z6J601

Block No.	Ref. No.	Part No.	Description	Reqd. QTY	Base Part No.	Parts catalogue code
				GX 25 NT		
E-28		LABEL				



Z6J0E2800E

E-28	1		MARK, EMBLEM.....	0	87521-Z3E-010	S3/A, ST3/A, STSC/A, T3/A, W3/A
	3		MARK, HONDA.....	0	87531-Z0H-000	STSC/A
	6	87660-Z3E-900	MARK (4-STROKE).....	1	87660-Z0H-000	S3/A, ST3/A, STSC/A, W3/A
	9		MARK, OPERATOR CAUTION (ENGLISH)	0	87516-Z6J-000	T3/A, W3/A
	11	87521-Z3E-900	MARK, EMBLEM.....	1		S3/A, ST3/A, STSC/A, T3/A, W3/A

NOTE A:PART NO. CHANGE D:NEWLY PROVIDED E:PART NO. DELETION K:REQUIRED NO. CORRECTION L:APPLICATION SERIAL NO. CORRECTION
M:PART DESCRIPTION CORRECTION T:APPLICATION CORRECTION Z:REMARKS CHANGE

HONDA PARTS CATALOGUE NEWS

Service Information Department, Power Product Operations
Service Division, Honda Motor Co., Ltd.

CODE NO.	13Z6J601
PARTS CATALOGUE NEWS	GX25NT
NEWS NO.	034

GN25NT-W3M TYPE sales parts information

NOTE: This Parts Catalogue News explains only the parts of the different model that are produced to conform to addition of the GN25NT-W3M type.

As for the parts not listed on this Parts Catalogue News, use the parts of the GN25NT-W3 type.

•Models, parts catalogue codes and applicable serial numbers

Model	Type		Parts catalogue type	Applicable engine serial No.	Applicable carburetor identification No.
GX25NT	W3	Base type	W3	GCART-1000001~1999999	WYB 12B WYB 35/A/B
	W3M	Additional type	W3M	GCART-2000001~	WYB 46

BOOKNo. : 13Z6J601

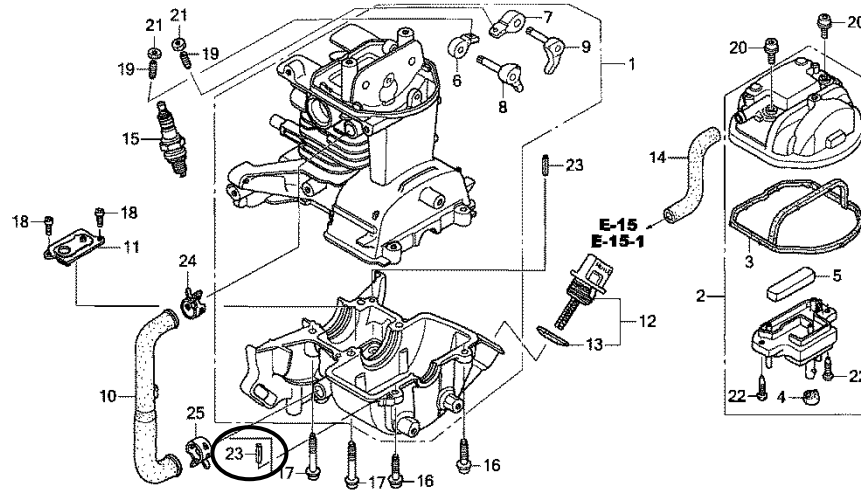
• Features of each type		Base type	Additional type
Specifications	Model	GX25NT	
	Type	W3	W3M
P.T.O. Shaft		●	●
Tank guard			
Control		●	●

PARTS CATALOGUE NEWS

BOOKNo. : 13Z6J601

Block No.	Ref. No.	Part No.	Description	Reqd. QTY	Base Part No.	Parts catalogue code
-----------	----------	----------	-------------	-----------	---------------	----------------------

E-2 CRANKCASE SET



E-2	1	10100-Z3E-415	CRANKCASE SET.....	1	10100-Z3E-405	W3M
	23	94305-40102	PIN, SPRING, 4X10.....	2		W3M
E-14	23	16100-Z6J-WB2	CARBURETOR ASSY. (WYB 46).....	1	16100-Z6J-802	W3M
	26	16222-Z0H-801	PACKING, SHROUD.....	1	16222-Z0H-800	W3M
	33	99101-ZM5-0340	JET (#34).....	(1)	99101-Z0H-0320	W3M
		99101-ZM5-0350	JET (#35).....	1	99101-ZM5-0340	W3M
E-17	8	17620-ZM3-818	CAP ASSY., FUEL TANK.....	1	17620-ZM3-817	W3M
	19		PROTECTOR, TUBE.....	0	16865-Z6J-000	W3M
E-28	5	87601-Z6J-V70	MARK, TYPE (W3M).....	1	87601-Z4A-840	W3M

HONDA PARTS CATALOGUE NEWS

PARTS CATALOGUE - CORRECTED

CODE NO.	13Z6J601
PARTS CATALOGUE NEWS	GX25NT
NEWS NO.	035

Block No.	Ref. No.	Note	Part No.	Description	Reqd. QTY	Serial No.	Parts catalogue code
					GX 25 NT		
E-22	11	L	90011-Z0H-801	BOLT, SOCKET, 5X10.....	1	----- 1276054	W3
			90011-Z3E-911	1	-----	W3/A, W3M
					1	1276055	-----
E-28	3	L	87531-Z0H-000	MARK, HONDA.....	1	-----	SAM3, SATM
					1	----- 1186837	S2, S3, SMTD, ST3
					1	----- 1385716	STSC

NOTE A:PART NO. CHANGE D:NEWLY PROVIDED E:PART NO. DELETION K:REQUIRED NO. CORRECTION L:APPLICATION SERIAL NO. CORRECTION
M:PART DESCRIPTION CORRECTION T:APPLICATION CORRECTION Z:REMARKS CHANGE

HONDA PARTS CATALOGUE NEWS

PARTS CATALOGUE - CORRECTED

CODE NO.	13Z6J601
PARTS CATALOGUE NEWS	GX25NT
NEWS NO.	036

Block No.	Ref. No.	Note	Part No.	Description	Reqd. QTY	Serial No.	Parts catalogue code			
					GX 25 NT					
E-14	5	L	16015-Z0H-013	BODY ASSY., PUMP.....	1	----- WYB 6G	HAT			
				(CARBURETOR NO.)	1	----- WYB 10C	W3			
		T	16015-Z6J-013	1	-----	HAT/A, S3, S3/A, SAM3, SGT9, ST3, ST3/A, STSC, STSC/A, T3, T3/A, W3/A W3M			
				(CARBURETOR NO.)	1	WYB 34A -----	HAT			
				(CARBURETOR NO.)	1	WYB 35A -----	W3			
	D	16015-Z6J-003	1	-----	S2, SATM, SGT3, SMTD, ST3E				
	23	L	16100-Z0H-844	CARBURETOR ASSY. (WYB 12B).....	1	-----	1003168	W3		
				D	16100-Z6J-801	CARBURETOR ASSY. (WYB 35/A)....	1	1003169	1333626	W3
				D	16100-Z6J-003	CARBURETOR ASSY. (WYB 34/A)....	1	-----	S2, SATM, SGT3, SMTD, ST3E	
						1	-----	1333626	HAT, S3, SAM3, SGT9, ST3, STSC, T3	

NOTE A:PART NO. CHANGE D:NEWLY PROVIDED E:PART NO. DELETION K:REQUIRED NO. CORRECTION L:APPLICATION SERIAL NO. CORRECTION
M:PART DESCRIPTION CORRECTION T:APPLICATION CORRECTION Z:REMARKS CHANGE

HONDA PARTS CATALOGUE NEWS

PARTS CATALOGUE - CORRECTED

CODE NO.	13Z6J601
PARTS CATALOGUE NEWS	GX25NT
NEWS NO.	037

Block No.	Ref. No.	Note	Part No.	Description	Reqd. QTY	Serial No.	Parts catalogue code		
					GX 25 NT				
E-2	16	T	90009-Z0H-003	BOLT, SOCKET, 5X20.....	2	-----	HAT, HAT/A		
					2	-----	1276014	S2, S3, SAM3, SATM, SGT3, SGT9, SMTD, ST3, ST3E, STSC, T3, W3	
					2	-----	-----	S3/A, ST3/A, STSC/A, T3/A, W3/A, W3M	
	17	T	90010-Z0H-003	BOLT, SOCKET, 5X30.....	2	1276015	-----	S2, S3, SAM3, SATM, SGT3, SGT9, SMTD, ST3, ST3E, STSC, T3, W3	
					4	-----	1276014	S2, S3, SAM3, SATM, SGT3, SGT9, SMTD, ST3, ST3E, STSC, T3, W3	
					4	-----	1381185	HAT	
					4	1288911	-----	S2, SATM, SGT3, SGT9, SMTD, ST3E	
					4	1288911	1381185	S3, SAM3, ST3, STSC, T3, W3	
					4	-----	-----	HAT/A, S3/A, ST3/A, STSC/A, T3/A, W3/A, W3M	
					4	1381186	-----	HAT, S3, SAM3, ST3, STSC, T3, W3	
D	90010-Z0Z-003	BOLT, SOCKET, 5X32.....	4	-----	-----	HAT/A, S3/A, ST3/A, STSC/A, T3/A, W3/A, W3M			
D	90010-Z3E-901	BOLT, SOCKET, 5X30.....	4	1276015	1288910	S2, S3, SAM3, SATM, SGT3, SGT9, SMTD, ST3, ST3E, STSC, T3, W3			
E-11	1	T	28400-Z0H-003	STARTER ASSY., RECOIL.....	1	-----	1284310	S2, S3, SAM3, SATM, SGT3, SGT9, SMTD, ST3, ST3E, STSC, T3, W3	
			28400-Z0H-305	STARTER ASSY., RECOIL (FOR U. S. A.)	1	-----	1284310	S2, S3, SATM, SGT3, SGT9, SMTD, ST3, T3	
			A	28400-Z0H-315	1	1284311	-----	S2, S3, SATM, SGT3, SGT9, SMTD, ST3, T3
			D	28400-Z3E-M01	STARTER ASSY., RECOIL.....	1	-----	-----	S3/A, ST3/A, STSC/A, T3/A, W3/A, W3M

NOTE A:PART NO. CHANGE D:NEWLY PROVIDED E:PART NO. DELETION K:REQUIRED NO. CORRECTION L:APPLICATION SERIAL NO. CORRECTION
M:PART DESCRIPTION CORRECTION T:APPLICATION CORRECTION Z:REMARKS CHANGE

PARTS CATALOGUE NEWS

BOOKNo. : 13Z6J601

Block No.	Ref. No.	Note	Part No.	Description	Reqd. QTY		Serial No.	Parts catalogue code
					GX 25 NT			
					1		1284311	S2, S3, SAM3, SATM, SGT3, SGT9, SMTD, ST3, ST3E, STSC, T3, W3
	8	L	28461-ZM3-003	KNOB, RECOIL STARTER.....	1		1284310	S2, S3, SAM3, SATM, SGT3, SGT9, SMTD, ST3, ST3E, STSC, T3, W3
		D	28461-Z3F-M01	1			S3/A, ST3/A, STSC/A, T3/A, W3/A, W3M
					1		1284311	S2, S3, SAM3, SATM, SGT3, SGT9, SMTD, ST3, ST3E, STSC, T3, W3
	11	L	90018-Z0H-003	BOLT, SOCKET, 5X16.....	1			HAT, HAT/A
					3		1276014	S2, S3, SAM3, T3, W3
					1		1276014	SATM, SGT3, SGT9, SMTD, ST3, ST3E, STSC
		D	90018-Z3E-901	3			S3/A, T3/A, W3/A, W3M
					1			ST3/A, STSC/A
					3		1276015	S2, S3, SAM3, T3, W3
					1		1276015	SATM, SGT3, SGT9, SMTD, ST3, ST3E, STSC
E-12	8	L	90009-Z0H-003	BOLT, SOCKET, 5X20.....	3			HAT, HAT/A
					3		1276014	S2, S3, SAM3, SATM, SGT3, SGT9, ST3, ST3E, STSC, T3, W3
		D	90009-Z3E-901	3			S3/A, ST3/A, STSC/A, T3/A, W3/A, W3M
					3		1276015	S2, S3, SAM3, SATM, SGT3, SGT9, ST3, ST3E, STSC, T3, W3
E-12-1	7		90009-Z0H-003	BOLT, SOCKET, 5X20.....	3		1276014	SMTD
		A	90009-Z3E-901	3		1276015	SMTD
E-14	29	T	90014-Z0H-003	BOLT, 5X53.....	2			HAT, HAT/A, S2, S3, S3/A, SATM, SGT3, SGT9, SMTD, ST3, ST3/A, ST3E, STSC, STSC/A, T3, T3/A
		L	90014-Z0H-801	BOLT, 5X59.....	2		1297022	SAM3, W3
		D	90014-Z3F-000	BOLT, 5X58.....	2			W3/A, W3M
					2		1297023	SAM3, W3
	30		90018-Z0H-003	BOLT, SOCKET, 5X16.....	3			HAT, HAT/A
					3		1276014	S2, S3, SAM3, SATM, SGT3, SGT9, SMTD, ST3, ST3E, STSC, T3, W3
		A	90018-Z3E-901	3			S3/A, ST3/A, STSC/A, T3/A, W3/A, W3M

NOTE A:PART NO. CHANGE D:NEWLY PROVIDED E:PART NO. DELETION K:REQUIRED NO. CORRECTION L:APPLICATION SERIAL NO. CORRECTION
M:PART DESCRIPTION CORRECTION T:APPLICATION CORRECTION Z:REMARKS CHANGE

PARTS CATALOGUE NEWS

BOOKNo. : 13Z6J601

Block No.	Ref. No.	Note	Part No.	Description	Reqd. QTY	Serial No.	Parts catalogue code
					GX 25 NT		
					3	1276015 -----	S2, S3, SAM3, SATM, SGT3, SGT9, SMTD, ST3, ST3E, STSC, T3, W3
E-17	15	E	90010-Z0H-003	*PART NO. DELETION			
		T	90009-Z0H-003	BOLT, SOCKET, 5X20.....	2	-----	HAT, HAT/A
					2	----- 1276014	SATM, SGT3, SGT9, SMTD, ST3, ST3E, STSC
		D	90010-Z3E-901	BOLT, SOCKET, 5X30.....	2	-----	ST3/A, STSC/A
					2	1276015 -----	SATM, SGT3, SGT9, SMTD, ST3, ST3E, STSC
	16	T	90018-Z0H-003	BOLT, SOCKET, 5X16.....	2	-----	HAT, HAT/A
					2	----- 1276014	SATM, SGT3, SGT9, SMTD, ST3, ST3E, STSC
		D	90018-Z3E-901	2	-----	ST3/A, STSC/A
					2	1276015 -----	SATM, SGT3, SGT9, SMTD, ST3, ST3E, STSC
E-22	10	L	35120-Z0D-V81	SWITCH ASSY., ENGINE STOP.....	1	----- 1333506	W3
		D	35120-Z0T-821	SWITCH ASSY., ENGINE STOP (TOYO DENSO)	1	-----	W3/A, W3M
					1	1333507 -----	W3
E-27	2	T	90015-Z0H-003	BOLT, TOP COVER.....	1	-----	HAT, HAT/A
					1	----- 1276014	S2, S3, SAM3, SATM, SGT3, SGT9, SMTD, ST3, ST3E, STSC, T3, W3
		D	90015-Z3E-900	1	-----	S3/A, ST3/A, STSC/A, T3/A, W3/A, W3M
					1	1276015 -----	S2, S3, SAM3, SATM, SGT3, SGT9, SMTD, ST3, ST3E, STSC, T3, W3

NOTE A:PART NO. CHANGE D:NEWLY PROVIDED E:PART NO. DELETION K:REQUIRED NO. CORRECTION L:APPLICATION SERIAL NO. CORRECTION
M:PART DESCRIPTION CORRECTION T:APPLICATION CORRECTION Z:REMARKS CHANGE

HONDA PARTS CATALOGUE NEWS

PARTS CATALOGUE - CORRECTED

CODE NO.	13Z6J601
PARTS CATALOGUE NEWS	GX25NT
NEWS NO.	038

Block No.	Ref. No.	Note	Part No.	Description	Reqd. QTY		Serial No.	Parts catalogue code
					GX 25 NT			
E-2	1	L	10100-23E-405	CRANKCASE SET.....	1		-----	S2, SATM, SGT3, SGT9, SMTD, ST3E
					1		-----	1381185 HAT, S3, SAM3, ST3, STSC, T3, W3
	T	10100-23E-415	1		-----	HAT/A, S3/A, ST3/A, STSC/A, T3/A, W3/A, W3M	
				1		-----	1381186 HAT, S3, SAM3, ST3, STSC, T3, W3	
E-7	4		13310-23E-000	CRANKSHAFT COMP.....	1		-----	T3/A
					1		-----	2012946 HAT/A, S3/A, ST3/A, STSC/A
	A	13310-23E-900	1		-----	1294652 HAT, S2, S3, SAM3, SATM, SGT3, SGT9, SMTD, ST3, ST3E, STSC, T3	
				1		-----	2012947 HAT/A, S3/A, ST3/A, STSC/A	
	7	13310-23E-305	CRANKSHAFT COMP.....	(1)		-----	T3/A	
				(1)		-----	2012946 HAT/A, S3/A, ST3/A, STSC/A	
				(1)		-----	1294652 HAT, S2, S3, SAM3, SATM, SGT3, SGT9, SMTD, ST3, ST3E, STSC, T3	
	A	13310-23E-309	(1)		-----	2012947 HAT/A, S3/A, ST3/A, STSC/A	
	T	13310-Z0H-305	(1)		-----	1294651 HAT, SATM, SMTD	
				(1)		-----	1190434 1294651 S2, S3, SAM3, SGT3, SGT9, ST3, ST3E, STSC, T3	
D	13310-Z0H-306	(1)		-----	1190434 1295166 W3		

NOTE A:PART NO. CHANGE D:NEWLY PROVIDED E:PART NO. DELETION K:REQUIRED NO. CORRECTION L:APPLICATION SERIAL NO. CORRECTION
M:PART DESCRIPTION CORRECTION T:APPLICATION CORRECTION Z:REMARKS CHANGE

PARTS CATALOGUE NEWS

BOOKNo. : 13Z6J601

Block No.	Ref. No.	Note	Part No.	Description	Reqd. QTY	Serial No.		Parts catalogue code
					GX 25 NT			
E-14	25	T	16221-Z0H-000	PACKING, CARBURETOR.....	1	-----	-----	S2, SATM, SGT3, SGT9, SMTD, ST3E
		T	16221-Z0H-010	1	-----	-----	S3, S3/A, ST3, ST3/A, STSC, STSC/A, T3, T3/A
	26	T	16222-Z0H-800	PACKING, SHROUD.....	1	-----	-----	SAM3
		T	16222-Z0H-801	1	-----	-----	W3, W3/A, W3M
E-27	1	L	19720-Z0H-000ZB	COVER COMP., TOP *R280*..... POWER RED	1	-----	-----	S2, SAM3, SMTD
					1	-----	1385972	S3, ST3, W3
		T	19720-Z0H-010ZB	*R280*..... POWER RED	1	-----	-----	S3/A, ST3/A, W3/A, W3M
					1	1385973	-----	S3, ST3, W3
	D	19720-Z0H-800ZB	*NH1*..... BLACK	1	-----	-----	SATM	
				1	-----	-----	SATM	
	4	L	19720-Z6J-800ZA	COVER COMP., TOP *R280*..... POWER RED	1	-----	1385876	STSC
					1	1385877	-----	STSC
				1	-----	-----	STSC/A	
E-28	1	L	87521-Z3E-010	MARK, EMBLEM.....	1	-----	-----	S2, SATM, SMTD, ST3E
					1	-----	1385716	STSC
					1	1071907	-----	SGT3
					1	1071907	1385716	S3, SAM3, ST3, T3, W3
					1	-----	-----	SAM3, SATM
					1	-----	1186837	S2, S3, SMTD, ST3
	3	L	87531-Z0H-000	MARK, HONDA.....	1	-----	-----	SAM3, SATM
					1	-----	1186837	S2, S3, SMTD, ST3
					1	-----	1385716	STSC
	6	L	87660-Z0H-000	MARK (4-STROKE).....	1	-----	-----	S2, SATM, SGT3, SMTD, ST3E
					1	-----	1385876	S3, SAM3, ST3, STSC, W3
					1	-----	-----	S3/A, ST3/A, STSC/A, W3/A, W3M
	T	87660-Z3E-900	1	-----	-----	S3, SAM3, ST3, STSC, W3	
				1	1385877	-----	S3, SAM3, ST3, STSC, W3	

NOTE A:PART NO. CHANGE D:NEWLY PROVIDED E:PART NO. DELETION K:REQUIRED NO. CORRECTION L:APPLICATION SERIAL NO. CORRECTION
M:PART DESCRIPTION CORRECTION T:APPLICATION CORRECTION Z:REMARKS CHANGE

PARTS CATALOGUE NEWS

BOOKNo. : 13Z6J601

Block No.	Ref. No.	Note	Part No.	Description	Reqd. QTY		Serial No.	Parts catalogue code
					GX 25 NT			
	11	T	87521-Z3E-900	MARK, EMBLEM.....	1		-----	S3/A, ST3/A, STSC/A, T3/A, W3/A, W3M
					1		1385717	S3, SAM3, ST3, STSC, T3, W3

NOTE A:PART NO. CHANGE D:NEWLY PROVIDED E:PART NO. DELETION K:REQUIRED NO. CORRECTION L:APPLICATION SERIAL NO. CORRECTION
M:PART DESCRIPTION CORRECTION T:APPLICATION CORRECTION Z:REMARKS CHANGE

HONDA PARTS CATALOGUE NEWS

PARTS CATALOGUE - CORRECTED

CODE NO.	13Z6J601
PARTS CATALOGUE NEWS	GX25NT
NEWS NO.	039

Block No.	Ref. No.	Note	Part No.	Description	Reqd. QTY		Serial No.	Parts catalogue code
					GX 25 NT			
E-2	23	T	94305-40102	PIN, SPRING, 4X10.....	2		-----	HAT, HAT/A, S3, S3/A, ST3, ST3/A, STSC, STSC/A, T3, T3/A, W3, W3/A, W3M
					1		-----	S2, SAM3, SATM, SGT3, SGT9, SMTD, ST3E

NOTE A:PART NO. CHANGE D:NEWLY PROVIDED E:PART NO. DELETION K:REQUIRED NO. CORRECTION L:APPLICATION SERIAL NO. CORRECTION
M:PART DESCRIPTION CORRECTION T:APPLICATION CORRECTION Z:REMARKS CHANGE

HONDA PARTS CATALOGUE NEWS

PARTS CATALOGUE - CORRECTED

CODE NO.	13Z6J601
PARTS CATALOGUE NEWS	GX25NT
NEWS NO.	040

Block No.	Ref. No.	Note	Part No.	Description	Reqd. QTY GX 25 NT	Serial No.	Parts catalogue code					
E-14	5		16015-Z6J-013	BODY ASSY., PUMP.....	1	-----	S3, SAM3, SGT9, ST3, STSC, T3					
				(CARBURETOR NO.)	1	-----	WYB 46 HAT/A, S3/A, ST3/A, STSC/A, T3/A, W3M					
				(CARBURETOR NO.)	1	-----	WYB 47 W3/A					
				(CARBURETOR NO.)	1	WYB 34A -----	HAT					
				(CARBURETOR NO.)	1	WYB 35A -----	W3					
	A			16015-Z6J-023	1	-----	HAT/A, S3/A, ST3/A, STSC/A, T3/A, W3M				
					(CARBURETOR NO.)	1	WYB 46A -----	W3/A				
					(CARBURETOR NO.)	1	WYB 47A -----	W3/A				
					23			16100-Z6J-WB2	CARBURETOR ASSY. (WYB 46).....	1	-----	2023306 HAT/A, S3/A, ST3/A, STSC/A, T3/A, W3M
									16100-Z6J-WC2	CARBURETOR ASSY. (WYB 47).....	1	-----
A			16100-Z6J-WB3	CARBURETOR ASSY. (WYB 46A).....	1	2023307 -----	HAT/A, S3/A, ST3/A, STSC/A, T3/A, W3M					
				16100-Z6J-WC3	CARBURETOR ASSY. (WYB 47A).....	1	2026560 -----	W3/A				

NOTE A:PART NO. CHANGE D:NEWLY PROVIDED E:PART NO. DELETION K:REQUIRED NO. CORRECTION L:APPLICATION SERIAL NO. CORRECTION
M:PART DESCRIPTION CORRECTION T:APPLICATION CORRECTION Z:REMARKS CHANGE

July 10, 2023

HONDA PARTS CATALOGUE NEWS

PARTS CATALOGUE - CORRECTED

CODE NO.	13Z6J601
PARTS CATALOGUE NEWS	GX25NT
NEWS NO.	041

Block No.	Ref. No.	Note	Part No.	Description	Reqd. QTY	Serial No.	Parts catalogue code
					GX 25 NT		
E-10	8	T	14771-Z0H-000	RETAINER, VALVE SPRING.	2	-----	S2, SATM, SGT3, SMTD, ST3E
		D	14771-Z3F-000	2	-----	HAT, HAT/A, S3, S3/A, SAM3, SGT9, ST3, ST3/A, STSC, STSC/A, T3, T3/A, W3, W3/A, W3M

NOTE A:PART NO. CHANGE D:NEWLY PROVIDED E:PART NO. DELETION K:REQUIRED NO. CORRECTION L:APPLICATION SERIAL NO. CORRECTION
M:PART DESCRIPTION CORRECTION T:APPLICATION CORRECTION Z:REMARKS CHANGE

HONDA PARTS CATALOGUE NEWS

CODE NO.	13Z6J601
PARTS CATALOGUE NEWS	GX25NT
NEWS NO.	042

GX25NTX-S3, STSC, T3, W3 and W3M TYPES sales parts information

NOTE: This Parts Catalogue News explains only the parts of the different model that are produced to conform to addition of the GX25NTX-S3, STSC, T3, W3 and W3M types.

As for the parts not listed on this Parts Catalogue News, use the parts of the GX25NT-S3/A, STSC/A, T3/A, W3/A and W3M types.

• **Models, parts catalogue codes and applicable serial numbers**

Model	Type		Parts catalogue type	Applicable engine serial No.	Applicable carburetor identification No.
GX25NT	S3	Base type	S3/A	GCART-2000001~	WYB 46/A
GX25NTX		Additional type	S3		WYB 46A
GX25NT	STSC	Base type	STSC/A		WYB 46/A
GX25NTX		Additional type	STSC		WYB 46A
GX25NT	T3	Base type	T3/A		WYB 46/A
GX25NTX		Additional type	T3		WYB 46A
GX25NT	W3	Base type	W3/A		WYB 47/A
GX25NTX		Additional type	W3		WYB 47A
GX25NT	W3M	Base type	W3M		WYB 46/A
GX25NTX		Additional type	W3M		WYB 46A

BOOKNo. : 13Z6J601

• Features of each type	Base type	Additional type	Base type	Additional type	Base type	Additional type	Base type	Additional type	Base type	Additional type	
	Model	GX25NTX	GX25NT	GX25NTX	GX25NT	GX25NTX	GX25NT	GX25NTX	GX25NT	GX25NTX	
Specifications	Type	S3	S3	STSC	STSC	T3	T3	W3	W3	W3M	W3M
P.T.O. Shaft								●	●	●	●
Tank guard			●	●							
Control								●	●	●	●

PARTS CATALOGUE NEWS

BOOKNo. :13Z6J601

Block No.	Ref. No.	Part No.	Description	Reqd. QTY		Base Part No.	Parts catalogue code
				GX 25 NT	GX 25 NTX		
E-15	8	17241-Z6J-801	TUBE, HOT AIR.....	-	1	17241-Z6J-800	STSC
E-17	44	17701-Z6J-033	TUBE, FUEL.....	-	1	17701-Z6J-023	S3, STSC, W3, W3M
E-17-1	20	17701-Z6J-033	TUBE, FUEL.....	-	1	17701-Z6J-023	T3
E-27	1	19720-Z0H-802ZA	COVER COMP., TOP *R280*..... POWER RED	-	1	19720-Z0H-801ZA	T3
	4	19720-Z6J-803ZA	COVER COMP., TOP *R280*..... POWER RED	-	1	19720-Z6J-802ZA	STSC

HONDA PARTS CATALOGUE NEWS

PARTS CATALOGUE - CORRECTED

CODE NO.	13Z6J601
PARTS CATALOGUE NEWS	GX25NT
NEWS NO.	043

Block No.	Ref. No.	Note	Part No.	Description	Reqd. QTY		Serial No.	Parts catalogue code		
					GX 25 NT	GX 25 NTX				
E-14	5	T	16015-Z6J-003	BODY ASSY., PUMP.	1	-	-----	S2, SATM, SGT3, SMTD, ST3E		
				(CARBURETOR NO.)	1	-	WYB 35A	W3		
				T	16015-Z6J-013	1	-	-----	HAT, S3, SAM3, SGT9, ST3, STSC, T3
						(CARBURETOR NO.)	1	-	WYB 46	HAT/A, S3/A, ST3/A, STSC/A, T3/A, W3M
						(CARBURETOR NO.)	1	-	WYB 47	W3/A
	(CARBURETOR NO.)	1	-	WYB 35A	W3					
	T	16015-Z0H-013	1	-	WYB 12B	W3			
	23	E		16100-Z0H-053	*PART NO. DELETION					
					16100-Z0H-834	*PART NO. DELETION				
	27	L		19631-Z0H-000	SHROUD.	1	-	-----	S2, SATM, SGT3, SMTD, ST3E	
					1	-	1333506	HAT, S3, SAM3, SGT9, ST3, STSC, W3		
					1	-	1333626	T3		
T		19631-Z0H-010	1	-	-----	HAT/A, S3/A, ST3/A, STSC/A, T3/A, W3/A, W3M			
				1	-	1333507	HAT, S3, SAM3, SGT9, ST3, STSC, W3			
				1	-	1333627	T3			

NOTE A:PART NO. CHANGE D:NEWLY PROVIDED E:PART NO. DELETION K:REQUIRED NO. CORRECTION L:APPLICATION SERIAL NO. CORRECTION
M:PART DESCRIPTION CORRECTION T:APPLICATION CORRECTION Z:REMARKS CHANGE

PARTS CATALOGUE NEWS

BOOKNo. :13Z6J601

Block No.	Ref. No.	Note	Part No.	Description	Reqd. QTY		Serial No.	Parts catalogue code
					GX 25 NT	GX 25 NTX		
					-	1		
E-17	1	L	17504-ZM3-003	GROMMET, FUEL TUBE.....	1	-	-----	S2, SATM, SGT3, SMTD, ST3E
					1	-	----- 1333506	HAT, S3, SAM3, SGT9, ST3, STSC, W3
	2	T	17511-Z6J-830	TANK, FUEL.....	1	-	----- 1295798	HAT, S2, ST3E
					1	-	1161188 1295798	SATM, SGT3
		T	17511-Z6J-831	1	-	-----	HAT/A, S3/A, ST3/A, STSC/A, W3/A, W3M
					1	-	1161188	SMTD
					1	-	1295799	HAT, S2, S3, SAM3, SATM, SGT3, SGT9, ST3, ST3E, STSC, W3
					-	1	-----	S3, STSC, W3, W3M
	8	T	17620-ZM3-817	CAP ASSY., FUEL TANK.....	1	-	-----	S2, SAM3, SATM, SGT3, SGT9, ST3E
		D	17620-ZM3-818	1	1	-----	HAT, HAT/A, S3, S3/A, ST3, ST3/A, STSC, STSC/A, W3, W3/A, W3M
	9	T	17672-Z0H-003	FILTER, FUEL.....	1	1	-----	HAT, HAT/A, S2, S3, S3/A, SAM3, SATM, SGT3, SGT9, SMTD, ST3, ST3/A, ST3E, STSC, STSC/A, W3, W3/A, W3M
	12	L	17702-Z0H-003	TUBE, FUEL RETURN.....	1	-	----- 1086972	STSC
					1	-	----- 1235594	HAT, S2, S3, SAM3, SATM, SGT3, SGT9, SMTD, ST3, ST3E, W3
	17	L	91401-ZM3-003	CLIP, TUBE.....	1	-	-----	S2, SATM, SGT3, SMTD, ST3E
					1	-	----- 1316900	STSC
		D	91401-Z3E-000	CLIP, TUBE (B1 5).....	1	-	----- 1333506	HAT, S3, SAM3, SGT9, ST3, W3
					1	-	1316901 1333506	STSC
	25	E	16865-Z6J-000	*PART NO. DELETION				
		D	16865-Z6K-000	PROTECTOR, TUBE.....	1	-	1086973 1333506	STSC
					1	-	1235595	S2, SATM, SGT3, SMTD, ST3E
					1	-	1235595 1333506	HAT, S3, SAM3, SGT9, ST3, W3
	26	L	17519-Z6J-003	JOINT, FUEL TANK.....	1	-	1086973 1333506	STSC
					1	-	1235595	S2, SATM, SGT3, SMTD, ST3E

NOTE A:PART NO. CHANGE D:NEWLY PROVIDED E:PART NO. DELETION K:REQUIRED NO. CORRECTION L:APPLICATION SERIAL NO. CORRECTION
M:PART DESCRIPTION CORRECTION T:APPLICATION CORRECTION Z:REMARKS CHANGE

PARTS CATALOGUE NEWS

BOOKNo. :13Z6J601

Block No.	Ref. No.	Note	Part No.	Description	Reqd. QTY		Serial No.		Parts catalogue code
					GX 25 NT	GX 25 NTX			
					1	-	1235595	1333506	HAT, S3, SAM3, SGT9, ST3, W3
	27	L	17701-Z6J-003	TUBE, FUEL.....	1	-	1086973	1333506	STSC
					1	-	1235595	-----	S2, SATM, SGT3, SMTD, ST3E
					1	-	1235595	1333506	HAT, S3, SAM3, SGT9, ST3, W3
	28	L	17703-Z0H-J71	TUBE A, FUEL.....	1	-	1086973	1333506	STSC
					1	-	1235595	-----	S2, SATM, SGT3, SMTD, ST3E
					1	-	1235595	1333506	HAT, S3, SAM3, SGT9, ST3, W3
	31	L	90601-Z6J-003	CLAMP, TUBE.....	1	-	1086973	1333506	STSC
					1	-	1235595	-----	S2, SATM, SGT3, SMTD, ST3E
					1	-	1235595	1333506	HAT, S3, SAM3, SGT9, ST3, W3
	32	T	91401-ZM3-003	CLIP, TUBE.....	1	-	1086973	1316900	STSC
					1	-	1235595	-----	S2, SATM, SGT3, SMTD, ST3E
		D	91401-Z3E-000	CLIP, TUBE (B1 5).....	1	-	1235595	1333506	HAT, S3, SAM3, SGT9, ST3, W3
					1	-	1316901	1333506	STSC
	40	L	90601-Z6J-003	CLAMP, TUBE.....	1	-	1086973	1333506	STSC
					1	-	1235595	-----	S2, SATM, SGT3, SMTD, ST3E
					1	-	1235595	1333506	HAT, S3, SAM3, SGT9, ST3, W3
	41	L	16865-Z6J-010	PROTECTOR, TUBE.....	1	-	-----	2024748	HAT/A, S3/A, ST3/A, STSC/A, W3/A, W3M
					1	-	1333507	-----	HAT, S3, SAM3, SGT9, ST3, STSC, W3
		D	16865-Z6J-810	1	-	2024749	-----	HAT/A, S3/A, ST3/A, STSC/A, W3/A, W3M
					-	1	-----	-----	S3, STSC, W3, W3M
	42	L	17504-ZM3-003	GROMMET, FUEL TUBE.....	1	-	-----	-----	HAT/A, S3/A, ST3/A, STSC/A, W3/A, W3M
					1	-	1333507	-----	HAT, S3, SAM3, SGT9, ST3, STSC, W3
					-	1	-----	-----	S3, STSC, W3, W3M

NOTE A:PART NO. CHANGE D:NEWLY PROVIDED E:PART NO. DELETION K:REQUIRED NO. CORRECTION L:APPLICATION SERIAL NO. CORRECTION
M:PART DESCRIPTION CORRECTION T:APPLICATION CORRECTION Z:REMARKS CHANGE

PARTS CATALOGUE NEWS

BOOKNo. :13Z6J601

Block No.	Ref. No.	Note	Part No.	Description	Reqd. QTY		Serial No.	Parts catalogue code
					GX 25 NT	GX 25 NTX		
	43	L	17519-Z6J-003	JOINT, FUEL TANK.....	1	-	-----	HAT/A, S3/A, ST3/A, STSC/A, W3/A, W3M
					1	-	1333507	HAT, S3, SAM3, SGT9, ST3, STSC, W3
					-	1	-----	S3, STSC, W3, W3M
	44	L	17701-Z6J-013	TUBE, FUEL.....	1	-	-----	2024748 HAT/A, S3/A, ST3/A, STSC/A, W3/A, W3M
					1	-	1333507	HAT, S3, SAM3, SGT9, ST3, STSC, W3
		D	17701-Z6J-023	1	-	2024749	HAT/A, ST3/A
					1	-	2024749	2113585 S3/A, STSC/A, W3/A, W3M
		T	17701-Z6J-033	1	-	2113586	S3/A, STSC/A, W3/A, W3M
					-	1	-----	S3, STSC, W3, W3M
	46	L	17703-Z0H-J71	TUBE A, FUEL.....	1	-	-----	HAT/A, S3/A, ST3/A, STSC/A, W3/A, W3M
					1	-	1333507	HAT, S3, SAM3, SGT9, ST3, STSC, W3
					-	1	-----	S3, STSC, W3, W3M
	47	L	90601-Z6J-801	CLAMP, TUBE (D5. 5).....	1	-	-----	2024748 HAT/A, S3/A, ST3/A, STSC/A, W3/A, W3M
					1	-	1333507	HAT, S3, SAM3, SGT9, ST3, STSC, W3
		D	90601-Z6J-003	CLAMP, TUBE.....	1	-	2024749	HAT/A, S3/A, ST3/A, STSC/A, W3/A, W3M
					-	1	-----	S3, STSC, W3, W3M
	48	L	90601-Z6J-801	CLAMP, TUBE (D5. 5).....	1	-	-----	2024748 HAT/A, S3/A, ST3/A, STSC/A, W3/A, W3M
					1	-	1333507	HAT, S3, SAM3, SGT9, ST3, STSC, W3
		D	90601-Z6J-003	CLAMP, TUBE.....	1	-	2024749	HAT/A, S3/A, ST3/A, STSC/A, W3/A, W3M
					-	1	-----	S3, STSC, W3, W3M
E-17-1	1	L	16865-Z6J-000	PROTECTOR, TUBE.....	1	-	-----	1007298 T3
		D	16865-Z6K-000	1	-	1007299	1334348 T3
	3	L	17511-Z6J-840	TANK, FUEL.....	1	-	1159428	1299835 T3
		D	17511-Z6J-841	1	-	-----	T3/A

NOTE A:PART NO. CHANGE D:NEWLY PROVIDED E:PART NO. DELETION K:REQUIRED NO. CORRECTION L:APPLICATION SERIAL NO. CORRECTION
M:PART DESCRIPTION CORRECTION T:APPLICATION CORRECTION Z:REMARKS CHANGE

PARTS CATALOGUE NEWS

BOOKNo. :13Z6J601

Block No.	Ref. No.	Note	Part No.	Description	Reqd. QTY		Serial No.	Parts catalogue code
					GX 25 NT	GX 25 NTX		
					1	-	1299836	T3
					-	1		T3
	6	E	17620-ZM3-063	*PART NO. DELETION				
		T	17620-ZM3-073	CAP ASSY., FUEL TANK.....	1	1		T3, T3/A
	14	L	90601-Z6J-003	CLAMP, TUBE.....	1	-	1235595 1334348	T3
	16	L	16865-Z6J-010	PROTECTOR, TUBE.....	1	-		T3
					1	-	2023226	T3/A
		D	16865-Z6J-810	1	-	2023227	T3/A
					-	1		T3
	20	L	17701-Z6J-013	TUBE, FUEL.....	1	-		T3
					1	-	2023226	T3/A
		D	17701-Z6J-023	1	-	2023227	T3/A
		D	17701-Z6J-033	-	1		T3
	23	L	90601-Z6J-801	CLAMP, TUBE (D5. 5).....	1	-	2023226	T3/A
					1	-	1334349	T3
		D	90601-Z6J-003	CLAMP, TUBE.....	1	-	2023227	T3/A
					-	1		T3
	24	L	90601-Z6J-801	CLAMP, TUBE (D5. 5).....	1	-	2023226	T3/A
					1	-	1334349	T3
		D	90601-Z6J-003	CLAMP, TUBE.....	1	-	2023227	T3/A
					-	1		T3
E-27	1	L	19720-Z0H-010ZB	COVER COMP., TOP *R280*..... POWER RED	1	-	2103000	S3/A, ST3/A, W3/A, W3M
					1	-	1385973	S3, ST3, W3
		D	19720-Z0H-020ZB	*R280*..... POWER RED	1	-	2103001	S3/A, ST3/A, W3/A, W3M

NOTE A:PART NO. CHANGE D:NEWLY PROVIDED E:PART NO. DELETION K:REQUIRED NO. CORRECTION L:APPLICATION SERIAL NO. CORRECTION
M:PART DESCRIPTION CORRECTION T:APPLICATION CORRECTION Z:REMARKS CHANGE

PARTS CATALOGUE NEWS

BOOKNo. :13Z6J601

Block No.	Ref. No.	Note	Part No.	Description	Reqd. QTY		Serial No.	Parts catalogue code
					GX 25 NT	GX 25 NTX		
					-	1	-----	S3, W3, W3M
		L	19720-Z0H-800ZA	*R280*..... POWER RED	1	-	-----	SATM, T3
					1	-	-----	2103800 T3/A
		D	19720-Z0H-802ZA	*R280*..... POWER RED	1	-	2103801	T3/A
					-	1	-----	T3
E-28	9	T	87516-Z6J-000	MARK, OPERATOR CAUTION (ENGLISH)	1	-	-----	HAT, HAT/A, S2, ST3/A, ST3E
					1	-	-----	2092196 S3/A, STSC/A, T3/A, W3/A, W3M
					1	-	1156186	S3, SAM3, SATM, SGT3, SGT9, SMTD, ST3, STSC, T3, W3
		D	87516-Z6J-010	1	-	2092197	S3/A, STSC/A, T3/A, W3/A, W3M
					-	1		
		L	87516-Z6J-800	MARK, OPERATOR CAUTION (FRENCH)	1	-	-----	HAT, HAT/A, S2, ST3/A, ST3E
					1	-	-----	2092196 S3/A, STSC/A, T3/A, W3/A, W3M
					1	-	1156186	S3, SAM3, SATM, SGT3, SGT9, SMTD, ST3, STSC, T3, W3
		D	87516-Z6J-801	1	-	2092197	S3/A, STSC/A, T3/A, W3/A, W3M
					-	1		
	10	L	87519-Z6J-000	MARK, OPERATOR CAUTION (PICTOGRAPH)	1	-	-----	HAT, HAT/A, S2, ST3/A, ST3E
					1	-	-----	2092196 S3/A, STSC/A, T3/A, W3/A, W3M
					1	-	1156186	S3, SAM3, SATM, SGT3, SGT9, SMTD, ST3, STSC, T3, W3
		D	87519-Z6J-010	1	-	2092197	S3/A, STSC/A, T3/A, W3/A, W3M
					-	1		
	11	L	87521-Z3E-900	MARK, EMBLEM.....	1	-	-----	ST3/A
					1	-	-----	2092196 S3/A, STSC/A, T3/A, W3/A, W3M
					1	-	1385717	S3, SAM3, ST3, STSC, T3, W3

NOTE A:PART NO. CHANGE D:NEWLY PROVIDED E:PART NO. DELETION K:REQUIRED NO. CORRECTION L:APPLICATION SERIAL NO. CORRECTION
M:PART DESCRIPTION CORRECTION T:APPLICATION CORRECTION Z:REMARKS CHANGE

PARTS CATALOGUE NEWS

BOOKNo. :13Z6J601

Block No.	Ref. No.	Note	Part No.	Description	Reqd. QTY		Serial No.	Parts catalogue code
					GX 25 NT	GX 25 NTX		
		D	87521-Z3E-901	1	-	2092197 -----	S3/A, STSC/A, T3/A, W3/A, W3M
					-	1		

NOTE A:PART NO. CHANGE D:NEWLY PROVIDED E:PART NO. DELETION K:REQUIRED NO. CORRECTION L:APPLICATION SERIAL NO. CORRECTION
M:PART DESCRIPTION CORRECTION T:APPLICATION CORRECTION Z:REMARKS CHANGE

HONDA PARTS CATALOGUE NEWS

PARTS CATALOGUE - CORRECTED

CODE NO.	13Z6J601
PARTS CATALOGUE NEWS	GX25NT
NEWS NO.	044

Block No.	Ref. No.	Note	Part No.	Description	Reqd. QTY		Serial No.	Parts catalogue code
					GX 25 NT	GX 25 NTX		
E-14	5	T	16015-Z0H-013	BODY ASSY., PUMP.....	1	-	----- WYB 6G	HAT
				(CARBURETOR NO.)	1	-	----- WYB 12B	W3
	T	16015-Z6J-013	1	-	-----	HAT, S3, SAM3, SGT9, ST3, STSC, T3	
			(CARBURETOR NO.)	1	-	----- WYB 46	HAT/A, ST3/A	
				1	-	WYB 35A -----	W3	
	L	16015-Z6J-023	1	-	-----	S3/A, STSC/A, T3/A, W3/A, W3M	
			(CARBURETOR NO.)	1	-	WYB 46A -----	HAT/A, ST3/A	
				-	1			
	21	T	16032-ZM3-004	PUMP, PRIMER.....	1	-	-----	HAT, HAT/A, S2, S3, SAM3, SATM, SGT3, SGT9, SMTD, ST3, ST3/A, ST3E, STSC, T3, W3
					1	-	-----	S3/A, STSC/A, T3/A, W3/A, W3M
	D	16032-ZM3-014	1	-	-----		
				-	1	-----		
23	E	16100-Z0H-043	*PART NO. DELETION					
			16100-Z0H-825	*PART NO. DELETION				
			16100-Z6J-WC2	*PART NO. DELETION				

NOTE A:PART NO. CHANGE D:NEWLY PROVIDED E:PART NO. DELETION K:REQUIRED NO. CORRECTION L:APPLICATION SERIAL NO. CORRECTION
M:PART DESCRIPTION CORRECTION T:APPLICATION CORRECTION Z:REMARKS CHANGE

PARTS CATALOGUE NEWS

BOOKNo. :13Z6J601

Block No.	Ref. No.	Note	Part No.	Description	Reqd. QTY		Serial No.	Parts catalogue code
					GX 25 NT	GX 25 NTX		
		E	16100-Z6J-WC3	*PART NO. DELETION				
		M	16100-Z6J-013	CARBURETOR ASSY. (WYB 34A/B)...	2	-	1333627 -----	HAT, S3, SAM3, SGT9, ST3, STSC, T3
		M	16100-Z6J-802	CARBURETOR ASSY. (WYB 35A/B)...	2	-	1333627 -----	W3
		T	16100-Z6J-WB2	CARBURETOR ASSY. (WYB 46).....	1	-	----- 2023306	HAT/A, ST3/A
		T	16100-Z6J-WB3	CARBURETOR ASSY. (WYB 46A).....	1	-	2023307 -----	HAT/A, ST3/A
		D	16100-Z6J-WB4	1	-	----- -----	S3/A, STSC/A, T3/A, W3M
					-	1	----- -----	S3, STSC, T3, W3M
		D	16100-Z6J-WC4	CARBURETOR ASSY. (WYB 47A).....	1	-	----- -----	W3/A
					-	1	----- -----	W3

NOTE A:PART NO. CHANGE D:NEWLY PROVIDED E:PART NO. DELETION K:REQUIRED NO. CORRECTION L:APPLICATION SERIAL NO. CORRECTION
M:PART DESCRIPTION CORRECTION T:APPLICATION CORRECTION Z:REMARKS CHANGE