

GENERAL PURPOSE ENGINE

GX25T

PARTS CATALOGUE

2



GX25T

FOREWORD INDEX

1

ENGINE GROUP

2

PART NUMBER INDEX

3

PART NAME INDEX

4

Instruction for use of parts catalogue

- **This parts catalogue was prepared based on the latest information available as of October 20, 2011.**
- See the parts catalogue news for any revision that is made after October 20, 2011.
- **Always specify the part number when ordering a part.**
- Check the model, type, serial numbers, color, maker, and the size as needed before ordering a part.
- Note that the illustrations (part drawings) can differ from the actual parts in shape. They are given just to help you to refer to the parts.
- **When modifications or additions to this parts catalogue are made, a revised edition will be issued at an appropriate time, with successively progressing revision numbers on the cover. We recommend obtaining such revisions in order to keep your parts catalogue up-to-date at all times. To check whether a parts catalogue revision has been issued, please contact your Honda distributor.**

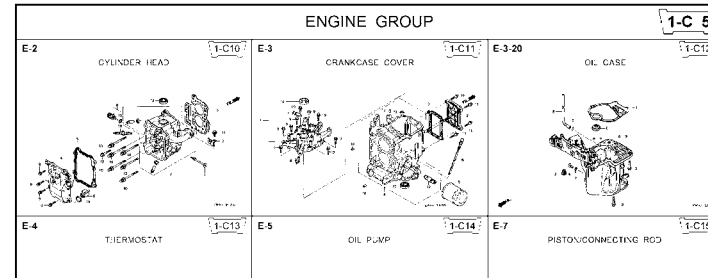
Initial version issue date **September 10, 2005**
Honda Motor Co., Ltd.

CONTENTS

	Page	Address No.	
● Instruction for use of parts catalogue	1	B 1	1
● How to refer to the part information	2	B 2	
● Part catalogue structure	3	B 3	
● When the parts were revised.....	4	B 4	
● Abbreviations used in the parts catalogue.....	4	B 4	
● How to check the part block and serial numbers.....	5	B 5	
● Models, parts catalogue codes and applicable serial numbers	6	B 6	
● Features of each type.....	8	B 8	
● Fuel hose, general purpose hoses and vinyl hose.....	10	B10	
● FLAT RATE SERVICE TIME	11	B11	
● Illustrated index	16	B16	
● ENGINE GROUP.....	18	D 1	2
● PART NO. INDEX.....	40	F 1	3
● PART NAME INDEX.....	42	G 1	4

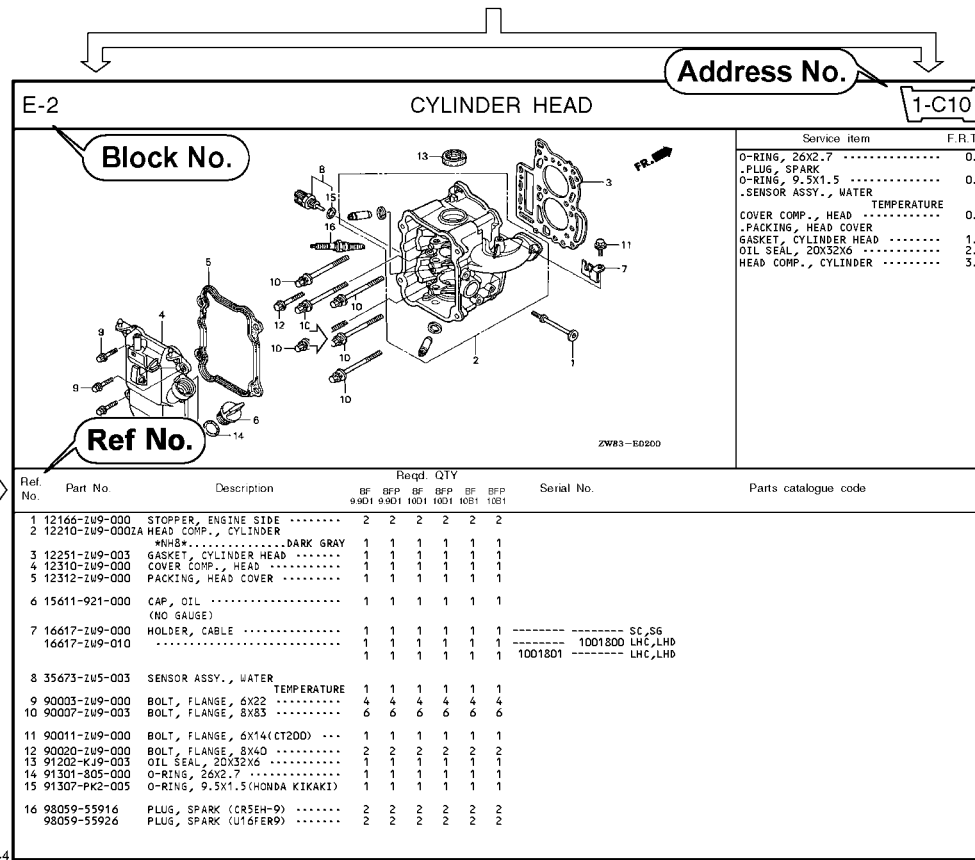
How to refer to the part information

A Reference with "Illustrated index"



B Reference with "Part number index"

PART NO. INDEX					
Part Number	Address	Page	Ref.	Part Number	Address Page
06000				15212-ZW9-000	1-C14 3C
06316-ZW9-000	1-G9	88	1	15220-ZW9-003	1-C14 3C
11000				15332-ZW9-000	1-E8 55
11300-ZW9-405	1-C11	27	1	15332-ZW9-A30	1-E11 5E
11300-ZW9-406	1-C11	27	1	15400-PFB-004	1-C11 27
11340-ZW9-000	1-C11	27	2	15422-ZW9-000	1-C14 3C
11342-ZW9-000	1-C11	27	3	15473-881-000	1-C14 3C
11381-ZW9-003	1-C12	28	1	15474-ZW9-000	1-C14 3C
				15611-921-000	1-C10 2E
				15655-ZW9-000	1-C11 27
				16000	
12000				16010-ZV4-005	1-D4 3E
12000-ZW9-405ZA	1-C11	27	4	16011-ZV4-005	1-D4 3E
12155-ZV4-A00	1-C13	29	1	16013-ZW9-003	1-D4 3E
12166-ZW9-000	1-C10	26	1	16016-ZW9-003	1-D4 3E
12209-GB4-681	1-C16	32	1	16016-ZW9-721	1-D4 3E
12210-ZW9-405ZA	1-C10	26	2	16023-ZW9-003	1-D4 3E
12216-ZE2-300	1-E8	55	1	16024-ZV4-650	1-D4 3E
	1-E11	58	1	16028-ZV4-650	1-D4 3E



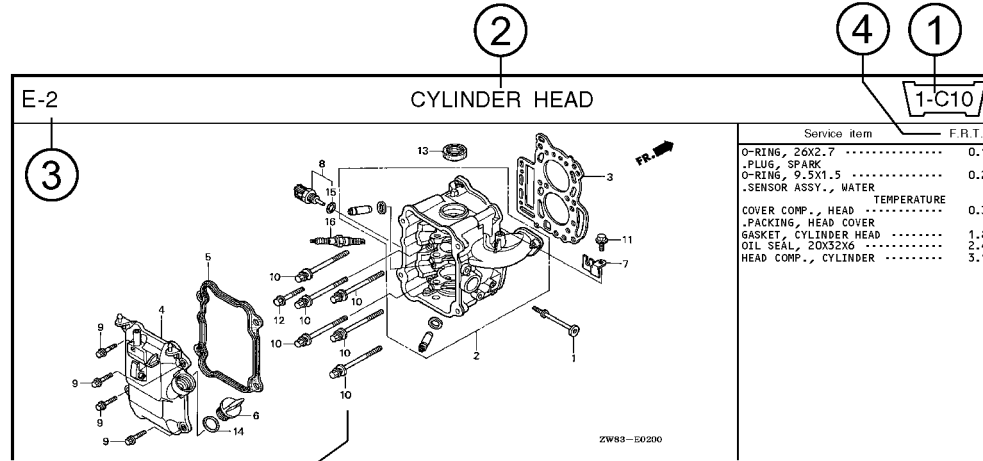
C Reference with "Part name index"

PART NAME INDEX					
Part name	Address	Page	Ref.		
[A]					
ABSORBER , FUEL	1-E15	62	5	BOLT ,	
ARMATURE COMP.	1-D11	43	7	BOLT ,	
ARM COMP. , LINK JOINT	1-G6	85	18	BOLT ,	
ARM COMP. , SHIFT LINK	1-G6	85	14	BOLT ,	
ARM COMP. , TILT	1-F15	79	20		
ARM , FUEL PUMP ROCKER	1-C16	32	4		
ARM , REVERSE LOCK	1-F15	79	18		
ARM , SHIFT LINK	1-F11	74	7		
ARM , STOPPER	1-D1	33	12	BOLT ,	
ARM , THROTTLE REMOTE	1-F11	74	6		
ARM , VALVE ROCKER	1-C16	32	3		
[B]					
BAG , TOOL , 160MM	1-G5	84	10		
BAND	1-G6	86	37		
BAND B1 , WIRE	1-F6	69	1		
BAND , CORD	1-F3	67	18	BOLT ,	
BAND , TUBE CLIP , 11MM	1-E15	63	20		
BAND , TUBE CLIP , 12.5MM	1-E15	63	19	BOLT ,	

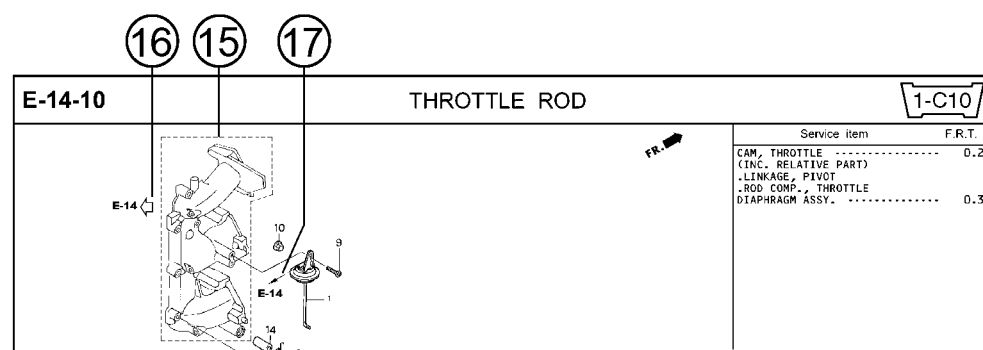
Page No.

2000.09.20 E

Part catalogue structure

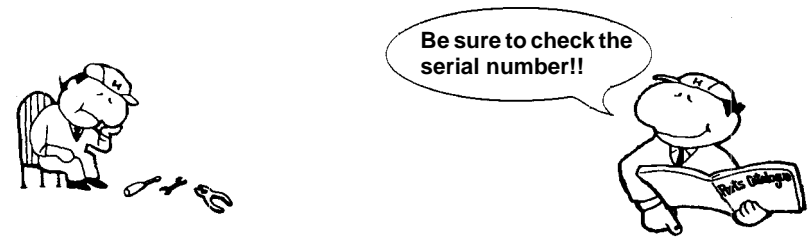


Ref. No.	Part No.	Description	Reqd. QTY						Serial No.	Parts catalogue code
			BF 9/9D1	BFP 9/9D1	BF 10D1	BFP 10D1	BF 10B1	BFP 10B1		
1	12166-ZW9-000	STOPPER, ENGINE SIDE	2	2	2	2	2	2		
2	12210-ZW9-000ZA	HEAD COMP., CYLINDER *NHS* DARK GRAY	1	1	1	1	1	1		
3	12251-ZW9-003	GASKET, CYLINDER HEAD	1	1	1	1	1	1		
4	12310-ZW9-000	COVER COMP., HEAD	1	1	1	1	1	1		
5	12312-ZW9-000	PACKING, HEAD COVER	1	1	1	1	1	1		
6	15611-921-000	CAP, OIL (NO GAUGE)	1	1	1	1	1	1		
7	16617-ZW9-000	HOLDER, CABLE	1	1	1	1	1	1	SC,SG	
	16617-ZW9-010		1	1	1	1	1	1	1001800 LHC,LHD	



- ① **Address number**
 - Address No. is provided (in place of the page No.) to help you refer to the part with the part No. or part name.
- ② **Block title** ③ **Block number**
- ④ **Service item/Flat rate time**
- ⑤ **Reference number**
 - Title number marked with the parenthesis or parentheses indicates that it continues from the previous page.
- ⑥ **Part number** ⑦ **Honda color code**
- ⑧ **Description**
- ⑨ **Assemblies**
 - Sections framed with broken lines in the exploded view drawings are available as complete assemblies. (Their individual parts can also be obtained.)
- ⑩ **Color description**
- ⑪ **Note**
 - Notes are shown with the parentheses in the part name column.
- ⑫ **Required quantity**
 - Required QTY shown in the parenthesis or parentheses indicates the optional part.
 - Required QTY marked with "N" Indicates the optional part that should be selected as needed.
 - Required QTY indicates the number of the part used in the block.
- ⑬ **Serial number**
- ⑭ **Type**
 - When the type column is blank, it indicates that the part is applicable to all types.
 - As the type of the actual unit may differ from the "parts catalogue, type" please refer to "Models, types and applicable serial numbers" for confirmation.
- ⑮ **[Dotted box]**
 - Parts enclosed within a dotted line [] are covered in a different block.
- ⑯ **[Hollow arrow]**
 - A hollow arrow [] indicates the block No. for the parts enclosed within a dotted line [] .
- ⑰ **[Solid arrow]**
 - A solid arrow [] indicates the block No. the part in question is connected to.

When the parts were revised



Ref. No.	Part No.	Description	Reqd. QTY						Serial No.
			BF 99D1	BFP 99D1	BF 10D1	BFP 10D1	BF 10B1	BFP 10B1	
1	12166-ZW9-000	STOPPER, ENGINE SIDE	2	2	2	2	2	2	
2	12210-ZW9-000ZA	HEAD COMP., CYLINDER *NHS*.....DARK GRAY	1	1	1	1	1	1	
3	12251-ZW9-003	GASKET, CYLINDER HEAD	1	1	1	1	1	1	
4	12310-ZW9-000	COVER COMP., HEAD	1	1	1	1	1	1	
5	12312-ZW9-000	PACKING, HEAD COVER	1	1	1	1	1	1	
6	15611-921-000	CAP, OIL (NO GAUGE)	1	1	1	1	1	1	
7	16617-ZW9-000	HOLDER, CABLE (###).....	1	1	1	1	1	1	SC, SG LHC, LHD LHC, LHD
	16617-ZW9-010	1	1	1	1	1	1	

The number has been used from the initial model without revision. When shown at the left side, it is applicable to the models of No.1001801 and the subsequent numbers. When shown at the right side, it is applicable to the models up to No.1001800.

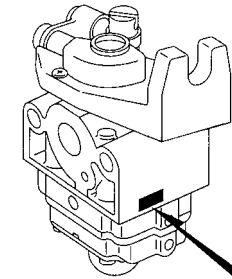
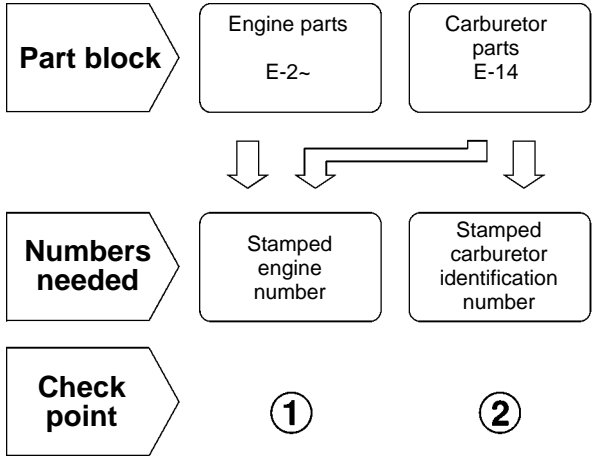
• The parts listed with "###" at the end of the parts name have limited supply period (parts not for sale).

Abbreviations used in the parts catalogue

• The following abbreviations are used in the parts name column.

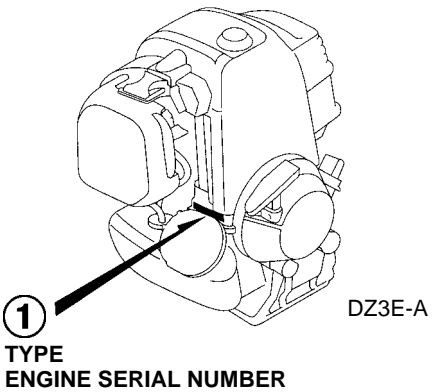
- A Ampere
- A.C. Alternating current
- ASSY. Assembly
- AT. Automatic transmission
- C.D.I. Capacitive discharge ignition
- COMP. ... Complete
- D.C. Direct current
- EX. Exhaust
- G.F.C.I ... Ground fault circuit interruptor
- HEX. Hexagonal
- H.S.T. Hydrostatic transmission
- FR.Front
- IN.Inlet
- L (100L) .Link (100 Links)
- L.Left
- MMMillimeter
- MT.Manual Transmission
- P.T.O.Power take off
- R.Right
- RR.Rear
- STD.Standard
- T (22T) ...Tooth (22 Teeth)
- VVolt
- WWatt

How to check the part block and serial numbers



DZ3E-B

②
CARBURETOR IDENTIFICATION
NUMBER



DZ3E-A

①
TYPE
ENGINE SERIAL NUMBER

Models, parts catalogue codes and applicable serial numbers

- Models, parts catalogue codes and applicable serial Nos. given in this parts catalogue can be identified as follows.

Model	Type	Parts catalogue type	Applicable engine serial No.	Applicable carburetor identification No.
GX25T	HAT	HAT	GCANT-1000001~	WYB 6D
	HET	HET		
	HUT	HUT		
	SATM	SATM	GCALT-1000001~	WYB 7C
	SAU	SAU		
	SAUT	SAUT		
	SD	SD		
	SD2	SD2		
	SDM	SDM		
	SJM1	SJM1	GCALT-1000001~	WYB 8A
	SDT	SDT		
	SJ	SJ		
	SJD	SJD		
	SJS	SJS		
	SJT	SJT		
SK	SK			

Model	Type	Parts catalogue type	Applicable engine serial No.	Applicable carburetor identification No.
GX25T	SKN	SKN	GCALT-1000001~	WYB 11A
	SKT	SKT		WYB 8A
	SMY	SMY		WYB 7C
	SUT	SUT		WYB 11A
	TD	TD		
	TESC	TESC	GCAPT-1000001~	WYB 19B
	TEZ	TEZ		
	TEZA	TEZA		
	TEZE	TEZE		
	TEZL	TEZL		
	TEZR	TEZR	GCALT-1000001~	WYB 19B
	TJ	TJ		WYB 11A
	WAU	WAU		WYB 21A/B
	WD	WD		WYB 10A
	WJ	WJ		
	S4	S4		WYB 6F

Model	Type	Parts catalogue type	Applicable engine serial No.	Applicable carburetor identification No.
GX25T	SD2T	SD2T	GCALT-1000001~	WYB 8A
	SGT3	SGT3		WYB 6F
	SGT9	SGT9		WYB 32
	SKB	SKB		WYB 6F
	ST3E	ST3E		
	ST4	ST4		

* Of carburetor identification numbers, only the portions underlined in the example below are used for registration.

WYB 6D

Features of each type

- See the following table for the features of each type. (Items in brackets are optional)

Specifications	Model	GX25T									
	Type	HAT	HET	HUT	SATM	SAU	SAUT	SD	SD2	SDM	SDM1
Clutch		●	●	●	●	●	●	●	●	●	●
P.T.O. shaft											
Arrester		●	●	●	●	●	●				
Tank guard		●	●	●	●		●				
Engine stop switch											

Specifications	Model	GX25T									
	Type	SDT	SJ	SJD	SJS	SJT	SK	SKN	SKT	SMY	SUT
Clutch		●	●	●	●	●	●	●	●	●	●
P.T.O. shaft											
Arrester											●
Tank guard		●				●			●	●	●
Engine stop switch											

Specifications	Model	GX25T									
	Type	TD	TESC	TEZ	TEZA	TEZE	TEZL	TEZR	TJ	WAU	WD
Clutch		●	●	●	●	●	●	●	●		
P.T.O. shaft										●	●
Arrester		(●)							(●)	●	(●)
Tank guard											
Engine stop switch										●	●

Specifications	Model	GX25T							
	Type	WJ	S4	SD2T	SGT3	SGT9	SKB	ST3E	ST4
Clutch			●	●	●	●	●	●	●
P.T.O. shaft		●							
Arrester		(●)	●		●	●		●	●
Tank guard				●	●	●		●	●
Engine stop switch		●							

Fuel hose, general purpose hoses and vinyl hose

- The standard part fuel hose, general purpose hose and vinyl hose may be substituted by the coiled bulk part.
- When ordering the standard part fuel hose, general purpose hose and vinyl hose use the bulk part number written in the parts catalog in brackets () underneath the part name.
- When exchanging the hose, cut and use at the specified length as mentioned in the part name.
(For the method of cutting the bulk part, and method of filling out orders etc., please refer to the instructions issued with the bulk part.)

Bulk part number of fuel hose, general purpose hose and vinyl hose.

Example: 9 5 0 0 1 - 7 5 0 0 1 - 5 0 M

Bulk part number:
Refers to the bulk part.

Marking code (fuel hose and general purpose hose)

Change code (Vinyl hose)

Indicates number mark or change sequence, however, the code for the bulk part must be strictly 0 (zero).

Types of code:

- Fuel hose
 - 2: Red outside braid (3 mm inside dia. only)
 - 5: Black inside braid
 - 3: Red (3 mm inside dia. only)
 - 4: Ash gray with red stripe (3 mm inside dia. only)
 - 6: Black

- General hose
 - 1: Ash gray
 - 2: Ash gray
 - 3: Black
 - 5: Black

- Vinyl hose
 - 1: Clear
 - 2: Black
 - 3: Light red
 - 6: Light red
 - 7: Pale black

Lengths:

- 001: 1 m (standard)
 - 003: 3 m
 - 008: 8 m
- Application or specification of some parts is not settled.

I.D code: (fuel hose and general purpose hose)

- | | | | | |
|------------|--------------------|--------------------|-----------------------------|-----------------------------|
| 30: 3.0 mm | 50: 5.0 mm | 70: 7.0 mm | 11: 11 mm | 12: 12 (outside dia. 17) mm |
| 35: 3.5 mm | 55: 5.3 mm, 5.5 mm | 75: 7.3 mm, 7.5 mm | 91: 12 (outside dia. 15) mm | 14: 14 mm |
| 45: 4.5 mm | 65: 6.5 mm | 80: 8.0 mm | 92: 12 (outside dia. 16) mm | 17: 17 mm |

ID./OD. code: (vinyl hose)

- | | | | | |
|-------------------------|--------------------------|---------------------------|---------------------------|---------------------------|
| 01: ID. 2.9, OD. 6.8 mm | 12: ID. 5.0, OD. 7.0 mm | 21: ID. 8.0, OD. 9.0 mm | 37: ID. 11.0, OD. 15.0 mm | 50: ID. 16.0, OD. 19.0 mm |
| 03: ID. 3.0, OD. 6.0 mm | 10: ID. 5.0, OD. 8.0 mm | 23: ID. 8.0, OD. 12.0 mm | 38: ID. 12.0, OD. 13.0 mm | 55: ID. 17.5, OD. 20.5 mm |
| 05: ID. 3.5, OD. 6.5 mm | 11: ID. 5.0, OD. 9.0 mm | 25: ID. 9.0, OD. 11.0 mm | 39: ID. 12.0, OD. 14.0 mm | 60: ID. 22.0, OD. 27.0 mm |
| 07: ID. 4.0, OD. 7.0 mm | 14: ID. 6.0, OD. 9.0 mm | 27: ID. 9.0, OD. 13.0 mm | 40: ID. 12.0, OD. 16.0 mm | |
| 08: ID. 4.5, OD. 6.5 mm | 17: ID. 7.0, OD. 9.0 mm | 33: ID. 10.0, OD. 14.0 mm | 43: ID. 13.0, OD. 15.0 mm | |
| 09: ID. 4.5, OD. 8.0 mm | 19: ID. 7.0, OD. 11.0 mm | 36: ID. 11.0, OD. 13.0 mm | 45: ID. 14.0, OD. 18.0 mm | |

Hose type:

- 1: Fuel hose
- 3: Vinyl hose
- 5: General hose

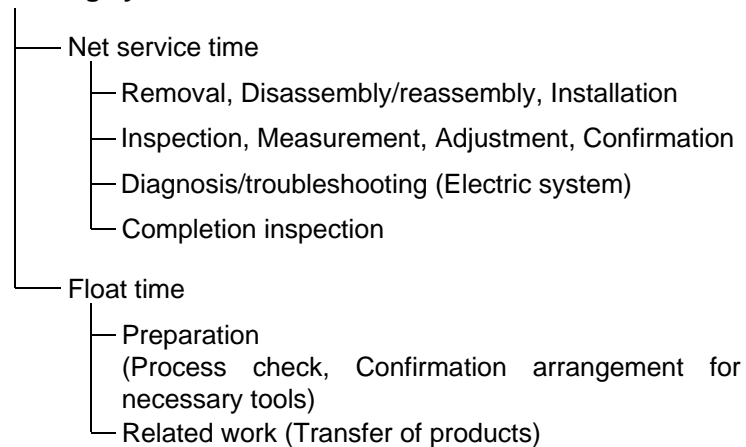
⊙ **CAUTION: It is DANGEROUS to confuse the fuel hose with the general purpose hose or vinyl hose.**

Never use a general purpose hose or vinyl hose in place of a fuel hose or vice versa. Always use the correct bulk part in the parts catalogue, according to the service manual or the instructions issued with the bulk part.

FLAT RATE SERVICE TIME

Flat rate service time (FRT) means the standard time required to service a product, which is listed in this manual to help the dealers control the actual working process and calculate the service charge by using it as a guide.

FRT setting system



* Float time is set by multiplying the net service time by a given coefficient.

Editorial style

The service items shown in the text are listed with the exchange work time for the repair sales parts as the subject. Other representative service items not using repair parts (removal/installation, adjustment, inspection/measuring, and other work) are listed collectively in the list in the preface, classified according to the work.

FRT setting standard

- Decimal system (in unit of 0.1) is adopted to set FRT as it is convenient to calculate the wage.
Example: (0.1) → 6 minutes, (0.2) → 12 minutes
[Labor cost per hour] x [FRT] = [Wage]
- FRT is set with a hand tool.
- Service items and FRT can be subject to change depending on development of tools and service equipment and improvement in service procedure.

Work procedure

- As the work procedure is set with the work time according to the method in the separate Service Manual, refer to this Manual as required.
- Work methods permitting servicing in the shortest time still permitting assurance of safe work and product warranty are used for the setting of service items not listed in the Service Manual.
- Work basically is to be performed by one person, and when two or more people are required, setting is done as the total time for the number of people.
- The set value for the technological level of the workers uses a person with three years of experience in the repair of Honda products as the standard.
- Special tools and service equipment used to set FRT are those specified or recommended in Service Manual.

Service item whose FRT is not presented

- Accessories and service parts that are not listed to use in this manual.
 - Locations with little aging deterioration or breakage during normal use.
 - Service work that can be finished by one touch.
 - Service work that is seldom done (i.e. extremely small causes of trouble and service frequency).
 - Products and parts whose location for installation differs according to its status of use and application.
- * When FRT is not presented, please calculate wages based on appropriate actual work time.

Operation not included of FRT

- Oil and coolant water draining, Waiting time for warming up operation and etc..
- Additional operation that involves removal/installation of standard exterior equipment.
- Indirect time spent for service by visiting the customer, trade-in, and delivery.
- Indirect time required for ordering and delivery of parts.
- Cost for grease, adhesive agent, etc. used for service work.

**Explanation of FRT by using an example
(The example may differ from the actual presented items)**

Ref. No.	L.O.N.	(Relative ref. Number) Description	F.R.T.
①	1111L1	(1, 3, 4, 7) VALVE, INTAKE 4.1	②
③	1111L1A	• NOTE: OHV type	⑦
		• Includes: Engine removal and installation	
		One head (intake all) add 1.4	⑤

- ① Reference No. of the illustration of part that shows location of the replacement work.
- ② FRT is an abbreviation of Flat Rate Time indicating the standard service time required for the replacement.
- ③ LON is an abbreviation of Labor Operation Number, and it is a classification of the service items by the work unit code.

The same operation code is used regardless of the models.

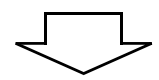
Standard operation is indicated with 6 digits code, and additional operation is indicated with 7 digits code.
- ④ Indicating the intake valve replacement and FRT4.1.
- ⑤ Indicating FRT1.4 that will be added when additional operation (whole intake side of one cylinder head) is done in association with intake valve replacement.

- ⑥ Indicating work condition or application condition of the service item.
- ⑦ Indicating work contents that are included in the service item.
- ⑧ Indicating a reference No. whose operation and time are the same as FRT4.1 for the intake valve.

(The application range is limited to the service items without an LON setting within a same block.)

**How to refer to the service item by using the sample
(intake valve replacement)**

Open to the page of the block where the intake valve's spare part illustration is shown.



Look for the intake valve illustration, and refer to the service item and FRT that agree with the reference No.

Indication mark for the listing of service items that continues to the following page

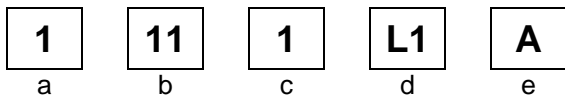
Ref. No.	L.O.N.	(Relative ref. Number) Description	F.R.T.
2	1111L1	VALVE, INTAKE	4.1
	.	.	.
	.	.	.

+
Mark indicated at the last line.

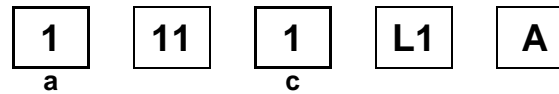
Indication of the block with no setting of FRT

Ref. No.	L.O.N.	(Relative ref. Number) Description	F.R.T.
NO INFORMATION			

• LON code system



- a) Category code..... Engine
- b) Location/function code Engine upper
- c) Operation code..... Replace
- d) Operation sequence number (Unit code can be shown with alphabet)
..... Intake valve
(No regular rule of code)
- e) Additional code One head (intake all)
(No regular rule of code)



a) Category codes and classification

Code	Category
1	Engine
2	Power drive
3	Fuel & Exhaust
4	Frame & Body
5	Steering
6	Electrical
7	Axle & Brake
8	Control system
9	-
0	Attachments

c) Operation codes and classification

Code	Operation category
1	Replace, Removal/Installation, Change
2	Overhaul
3	Adjust, Rotation
4	(Paint-related work: Top-coat)
5	Test, Inspect/diagnose, Measurement
6	(Overhaul-related work: Rebore)
7	(Overhaul-related work: Reseal)
8	(Resurface)
9	(Paint-related work: Refinish)
0	Repair, Cleaning, Air bleeding

Major service items without using spare parts
 (2) Adjustment, (3) Inspection/Measurement, (4) Overhaul,
 (5) Other work

E: Engine, T: Transmission, D: Drive system,
 B: Body and related parts

(2) Adjustment

	LON	DESCRIPTION	FRT
E	1113A1	VALVE CLEARANCE-ADJUSTMENT NOTE: For 1 product	0.4
	3113A2	CARBURETOR IDLE-ADJUSTMENT	0.2

(3) Inspection, Measurement, Cleaning

	LON	DESCRIPTION	FRT
E	1105A0	ENGINE OIL-INSPECTION	0.1
	3100A0	FUEL FILTER-CLEANING	0.3
	3120A0	AIR CLEANER-CLEANING INCLUDES: Air cleaner-inspection	0.1
	3130A0	SPARK ARRESTER-CLEANING INCLUDES: Spark arrester-inspection	0.2
	6140A0	SPARK PLUG-ADJUSTMENT/CLEANING INCLUDES: Spark plug check NOTE: For 1 product	0.1

(4) Overhaul

Work condition: The required Measurements, inspections, adjustments, and cleaning/washing of each part are performed, including the main body removal/installation work and the replacement of defective parts.

	LON	DESCRIPTION	FRT
E	3112A0	CARBURETOR-OVERHAUL INCLUDES: All necessary adjustment	0.4

(5) Other work

	LON	DESCRIPTION	FRT
E	1101E1	ENGINE OIL-CHANGE INCLUDES: Engine oil-inspection	0.1

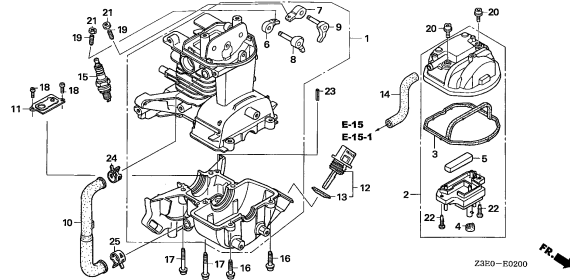
ENGINE GROUP

B16

E-2

CRANKCASE SET

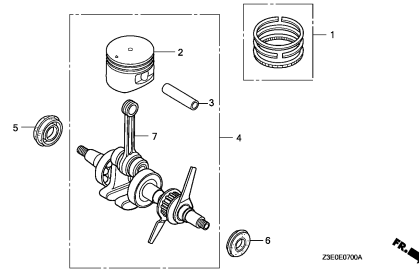
D 1



E-7

CRANKSHAFT/PISTON

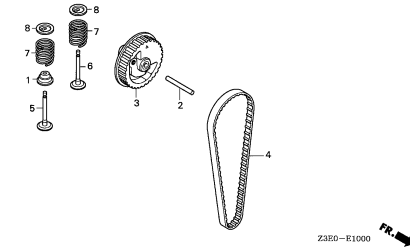
D 3



E-10

CAM PULLEY

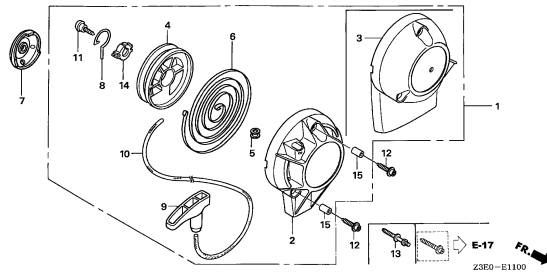
D 4



E-11

RECOIL STARTER(1)

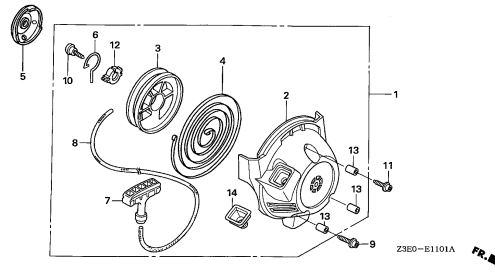
D 5



E-11-1

RECOIL STARTER(2)

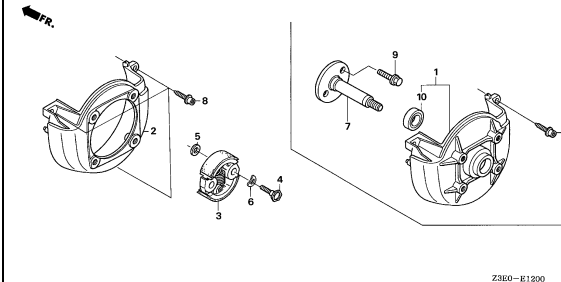
D 7



E-12

FAN COVER/CLUTCH

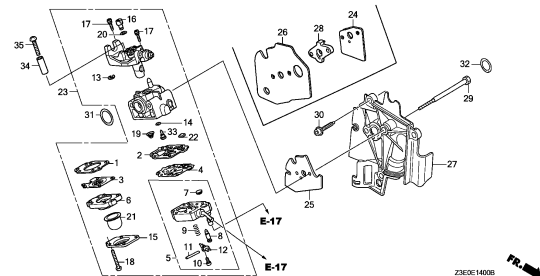
D 8



E-14

CARBURETOR

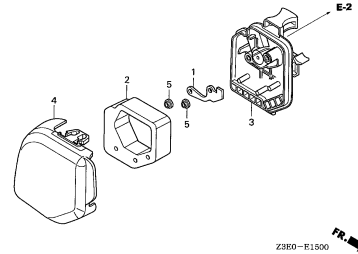
D 9



E-15

AIR CLEANER(1)

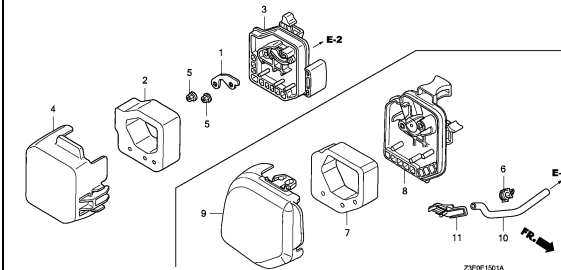
D11



E-15-1

AIR CLEANER(2)

D12



2

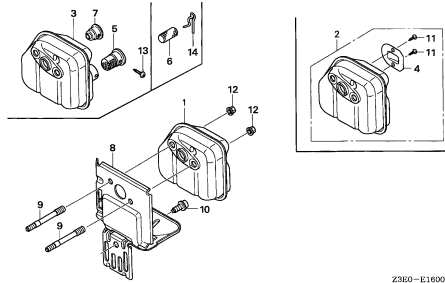
ENGINE GROUP

C 1

E-16

MUFFLER

D13

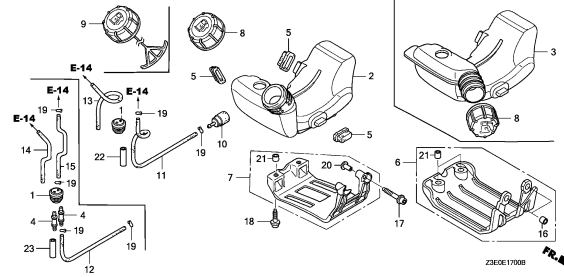


Z3B0-E1600

E-17

FUEL TANK

D14

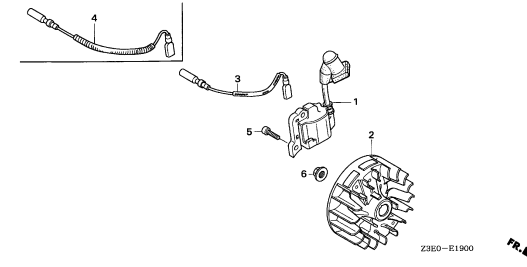


Z3B0E1700B

E-19

FLYWHEEL

D16

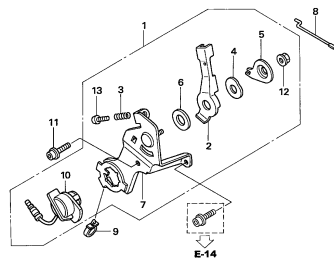


Z3B0-E1900

E-22

CONTROL

E 1

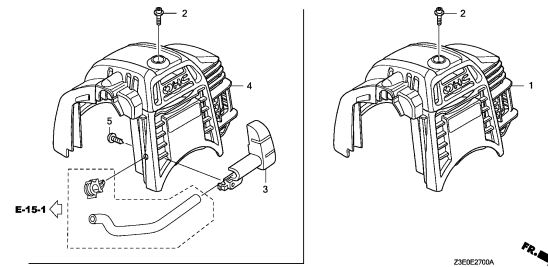


Z3B0-E2200

E-27

TOP COVER

E 2

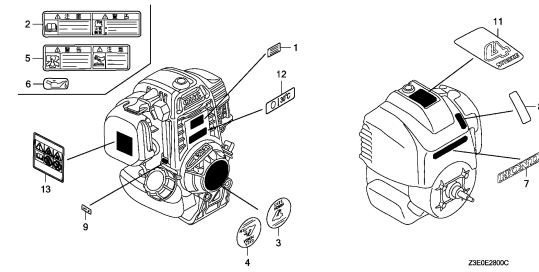


Z3B0E2700A

E-28

LABEL

E 3

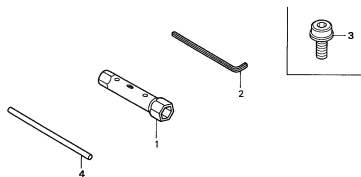


Z3B0E2800C

E-29

TOOL

E 5

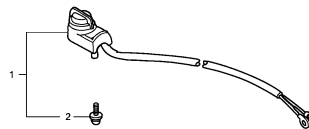


Z3B0-E2900

E-40

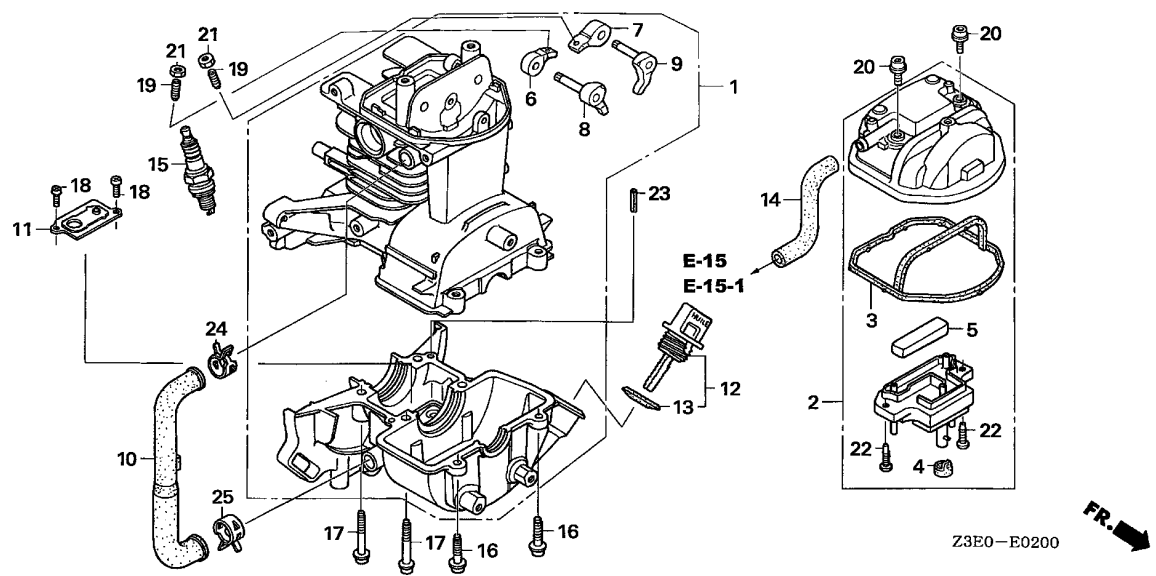
OTHER PARTS

E 6



Z3B0E4000

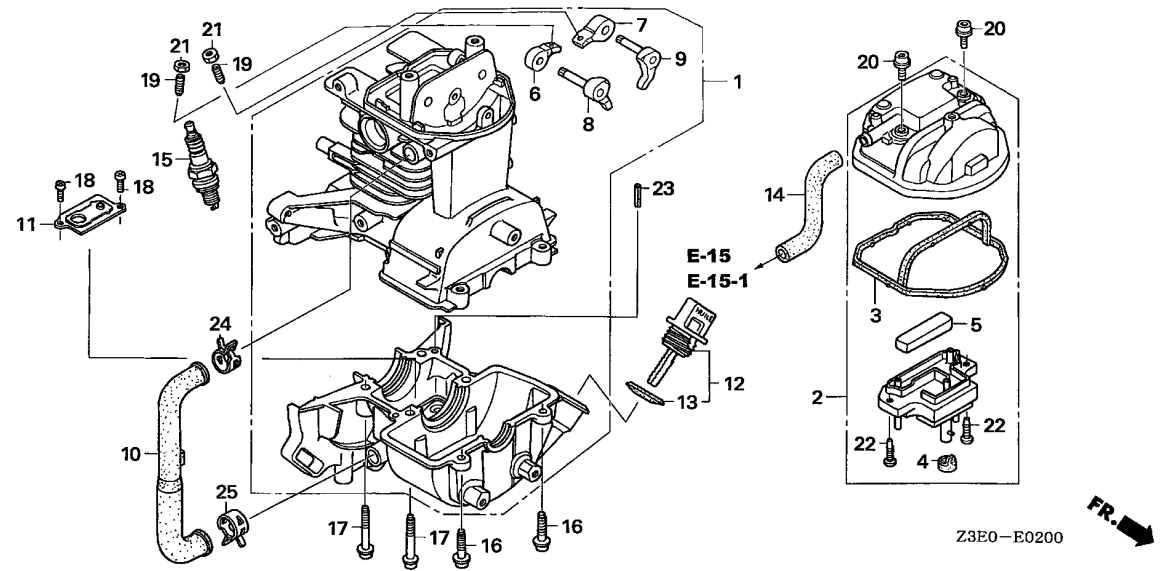
2



Ref. No.	L.O.N.	(Relative ref. Number) Description	F.R.T.
1	1101B7	CRANKCASE	1.5
2	1111D5	CYLINDER HEAD COVER AND/OR PACKING	0.1
6	1111A2	ARM, ROCKER :INTAKE	0.6
7	1111A1	ARM, ROCKER :EXHAUST	0.6
8	1111L9	LIFTER, VALVE :INTAKE	0.6
9	1111M0	LIFTER, VALVE :EXHAUST	0.6
10	1171A4	TUBE, OIL	0.3
11	1171A2	PLATE, OIL OUTLET VALVE	1.1
14	1111K5	TUBE, BREATHER	0.1
15	6141C1	PLUG, SPARK	0.1

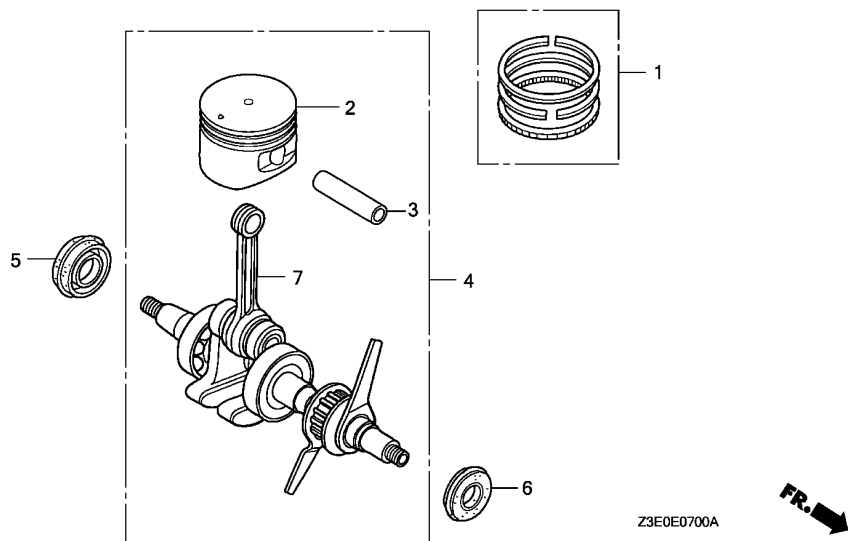
2

Ref. No.	Part No.	Description	Reqd. QTY	Serial No.	Parts catalogue code
			GX 25 T		
1	10100-Z3E-405	CRANKCASE SET	1		
2	12310-Z0H-010	COVER, CYLINDER HEAD	1		
3	12312-Z0H-300	SEAL, HEAD COVER	1		
4	12314-Z0H-300	GROMMET, HEAD COVER	1		
5	12367-Z0H-000	FILTER, BREATHER	1		
6	14431-Z0H-003	ARM, IN. VALVE ROCKER	1		
7	14441-Z0H-003	ARM, EX. VALVE ROCKER	1		
8	14730-Z0H-000	LIFTER COMP., IN. VALVE	1		
9	14740-Z0H-000	LIFTER COMP., EX. VALVE	1		
10	15422-Z0H-000	TUBE, OIL	1		
11	15510-Z3E-000	PLATE ASSY., OIL OUTLET VALVE	1		
12	15600-Z0T-800	CAP ASSY., OIL FILLER	1		
13	15625-Z0T-800	PACKING, OIL FILLER CAP	1		
14	15721-Z0H-000	TUBE, BREATHER	1	-----	HAT,HET,HUT,S4,SATM,SAU,SAUT,SD,SD2,SD2T,SDT,SGT3,SGT9,SJ,SJS,SJT,SK,SKT SMY,ST3E,ST4,SUT,TESC
	15721-Z0H-800	1	-----	SDM,SDM1,SJD,SKB,WAU,WD,WJ
	15721-Z0H-820	1	-----	SKN,TD,TEZ,TEZA,TEZE,TEZL,TEZR,TJ
15	31915-Z0H-003	PLUG, SPARK(CMR5H)(NGK)	1	-----	HAT,HET,HUT,S4,SATM,SAU,SAUT,SD,SD2,SD2T,SDM,SDM1,SDT,SGT3,SGT9,SK,SKT ST3E,ST4,SUT,TD,TESC,TEZ,TEZA,TEZE,TEZL,TEZR,WAU,WD
	31914-Z0H-003	PLUG, SPARK(CMR4H)(NGK)	(1)	-----	HAT,HET,HUT,S4,SATM,SAU,SAUT,SD,SD2,SD2T,SDM,SDM1,SDT,SGT3,SGT9,SK,SKT ST3E,ST4,SUT,TD,TESC,TEZ,TEZA,TEZE,TEZL,TEZR,WD
	31916-Z0H-003	PLUG, SPARK(CMR6H)(NGK)	(1)	-----	HAT,HET,HUT,S4,SATM,SAU,SAUT,SD,SD2,SD2T,SDM,SDM1,SDT,SGT3,SGT9,SK,SKT ST3E,ST4,SUT,TD,TESC,TEZ,TEZA,TEZE,TEZL,TEZR,WD
	31914-Z0H-801	PLUG, SPARK(CM4H)(NGK)	(1)	-----	SJ,SJD,SJS,SJT,SKN,SMY,TJ,WAU,WJ
	31916-Z0H-801	PLUG, SPARK(CM6H)(NGK)	(1)	-----	SJ,SJD,SJS,SJT,SKN,SMY,TJ,WAU,WJ
	31915-Z0H-801	PLUG, SPARK(CM5H)(NGK)	1	-----	SJ,SJD,SJS,SJT,SKN,SMY,TJ,WAU,WJ
	31914-Z0H-801	PLUG, SPARK(CM4H)(NGK)	1	-----	SKB



Ref. No.	Part No.	Description	Reqd. QTY		Serial No.	Parts catalogue code
			GX	T		
15)	31915-Z0H-801	PLUG, SPARK(CM5H)(NGK)	(1)		-----	SKB
	16	90009-Z0H-003	BOLT, SOCKET, 5X20	2		
	17	90010-Z0H-003	BOLT, SOCKET, 5X30	4		
	18	90013-Z3E-003	SCREW, PAN, 4X8	2	-----	HET, S4, SD2, SD2T, SDM1, SGT3, SGT9, SK, SKB, SKT, ST3E, ST4, TESC, TEZA, TEZE, TEZL
		90013-Z0H-004		2	-----	WAU 1001280 HAT, HUT
		90013-Z3E-003		2	-----	1007208 TEZ, TEZR
		90013-Z3E-003		2	-----	1037065 SATM, SAU, SAUT, SD, SDM, SDT, SJ, SJD, SJS, SJT, SKN, SMY, SUT, TD, TJ, WD, WJ
		90013-Z3E-003		2	1001281	HAT, HUT
		90013-Z3E-003		2	1007209	TEZ, TEZR
		90013-Z3E-003		2	1037066	SATM, SAU, SAUT, SD, SDM, SDT, SJ, SJD, SJS, SJT, SKN, SMY, SUT, TD, TJ, WD, WJ
	19	90017-Z0H-000	SCREW, TAPPET ADJUSTING	2		
	20	90019-Z0H-003	BOLT, SOCKET, 5X12	2		
	21	90206-ZM3-000	NUT, TAPPET ADJUSTING	2		
	22	93901-34320	SCREW, TAPPING, 4X12	2		
	23	94305-40102	PIN, SPRING, 4X10	1		
	24	95002-41200-08	CLAMP, TUBE(D12)	1		
	25	95002-41300-04	CLAMP, TUBE(D13)	1		

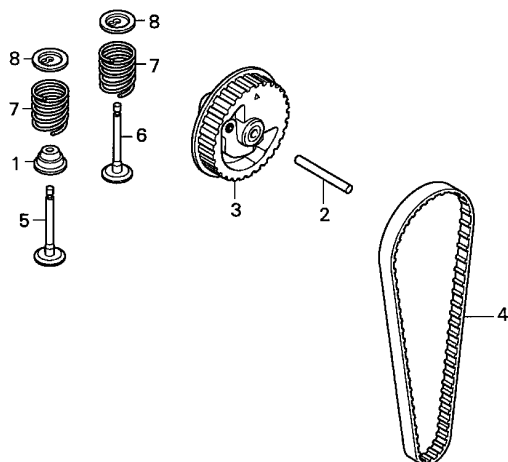




Ref. No.	L.O.N.	(Relative ref. Number) Description	F.R.T.
1	(2,3)		
	1111J4	RING SET, PISTON	1.3
	1111J4F	.Replace 1 piston and/or pin and/or connecting rod and/or bearing add	0.1
4	1101R3	CRANKSHAFT ASSEMBLY	1.2
5	1101E5	OIL SEAL, CRANKSHAFT :REAR ...	1.2
6	1101E4	OIL SEAL, CRANKSHAFT :FRONT ..	1.2
7	1101F0	CRANKSHAFT	1.4



Ref. No.	Part No.	Description	Reqd. QTY	Serial No.	Parts catalogue code
			GX 25 T		
1	13010-Z0H-000	RING SET, PISTON	1		
2	13101-Z0H-000	PISTON	1		HAT, HET, HUT, SATM, SAU, SAUT, SD, SD2, SD2T, SDM, SDM1, SDT, SJ, SJD, SJS, SJT, SK, SKB, SKN, SKT, SMY, SUT, TD, TESC, TEZ, TEZA, TEZE, TEZL, TEZR, TJ
	13101-Z0H-010	1		S4, SGT3, SGT9, ST3E, ST4, WAU, WD, WJ
3	13111-Z0H-000	PIN, PISTON	1		
4	13310-Z0H-020	CRANKSHAFT COMP.	1		HAT, HET, HUT, SATM, SAU, SAUT, SD, SD2, SD2T, SDM, SDM1, SDT, SJ, SJD, SJS, SJT, SK, SKB, SKN, SKT, SMY, SUT, TD, TESC, TEZ, TEZA, TEZE, TEZL, TEZR, TJ
	13310-Z0H-030	1		S4, SGT3, SGT9, ST3E, ST4
	13310-Z0H-802	1		WAU, WD, WJ
5	91211-Z3E-003	OIL SEAL, 12X24X5	1		HET, S4, SD2, SD2T, SDM1, SGT3, SGT9, SK, SKB, SKT, ST3E, ST4, TESC, TEZA, TEZE, TEZL, WAU
	91211-Z3E-000	1	1001280	HAT, HUT
		1	1007208	TEZ, TEZR
		1	1037065	SATM, SAU, SAUT, SD, SDM, SDT, SJ, SJD, SJS, SJT, SKN, SMY, SUT, TD, TJ, WD, WJ
	91211-Z3E-003	1	1001281	HAT, HUT
		1	1007209	TEZ, TEZR
		1	1037066	SATM, SAU, SAUT, SD, SDM, SDT, SJ, SJD, SJS, SJT, SKN, SMY, SUT, TD, TJ, WD, WJ
6	91212-Z3E-003	OIL SEAL, 10X20X5	1		HET, S4, SD2, SD2T, SDM1, SGT3, SGT9, SK, SKB, SKT, ST3E, ST4, TESC, TEZA, TEZE, TEZL, WAU
	91212-Z3E-000	1	1001280	HAT, HUT
		1	1007208	TEZ, TEZR
		1	1037065	SATM, SAU, SAUT, SD, SDM, SDT, SJ, SJD, SJS, SJT, SKN, SMY, SUT, TD, TJ, WD, WJ
	91212-Z3E-003	1	1001281	HAT, HUT
		1	1007209	TEZ, TEZR
		1	1037066	SATM, SAU, SAUT, SD, SDM, SDT, SJ, SJD, SJS, SJT, SKN, SMY, SUT, TD, TJ, WD, WJ
7	13310-Z0H-305	CRANKSHAFT COMP.	(1)		HAT, HET, HUT, S4, SATM, SAU, SAUT, SD, SD2, SD2T, SDM, SDM1, SDT, SGT3, SGT9, SJ, SJD, SJS, SJT, SK, SKB, SKN, SKT, SMY, ST3E, ST4, SUT, TD, TESC, TEZ, TEZA, TEZE, TEZL, TEZR, TJ
	13310-Z0H-306	(1)		WAU, WD, WJ

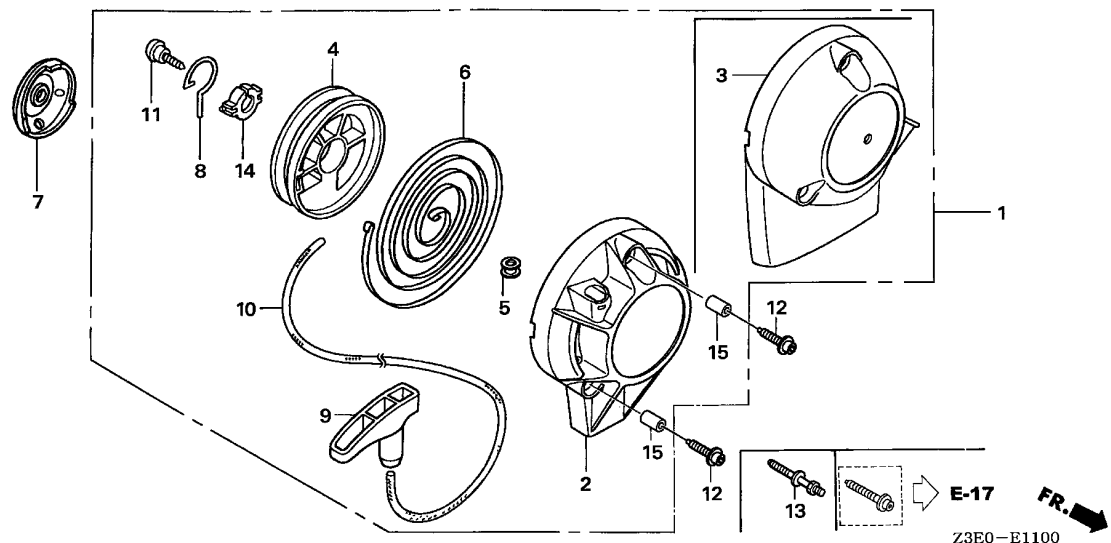


Z3E0-E1000

Ref. No.	L.O.N.	(Relative ref. Number) Description	F.R.T.
1	1111K2	SEAL, INTAKE VALVE STEMINCLUDES: Valve clearance adjustment	1.3
3	1111N5	PULLEY, CAMSHAFT	0.4
4	1111N6	BELT, TIMING	1.2
5	1111L1	VALVE, INTAKE	1.3
	1111L1E	.Replace intake and exhaust all add	0.1
6	1111L0	VALVE, EXHAUST	1.3
	1111LOE	.Replace intake and exhaust all add	0.1
7	1111P3	SPRING, VALVE :INTAKE	1.2
	1111P3A	.Replace intake and exhaust all add	0.1
	1111P4	SPRING, VALVE :EXHAUST	1.2
	1111P4A	.Replace intake and exhaust all add	0.1

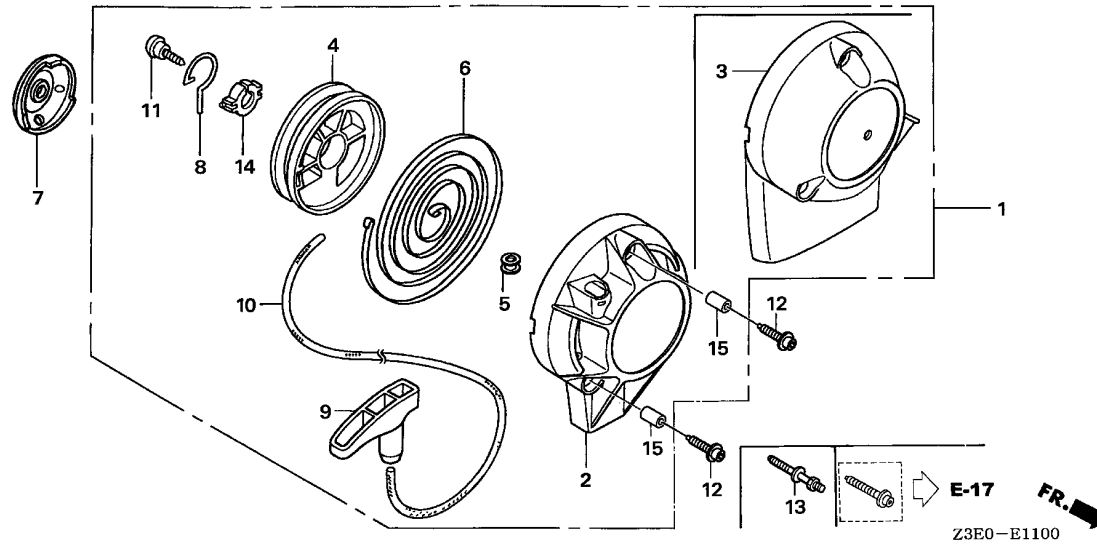
Ref. No.	Part No.	Description	Reqd. QTY	Serial No.	Parts catalogue code
			GX 25 T		
1	12209-Z3E-003	SEAL, VALVE STEM	1	-----	HET,S4,SD2,SD2T,SDM1,SGT3,SGT9,SK,SKB,SKT,ST3E,ST4,TESE,TEZA,TEZE,TEZL WU
	12209-Z3E-000	1	-----	1001280 HAT,HUT
			1	-----	1007208 TEZ,TEZR
	12209-Z3E-003	1	-----	1037065 SATM,SAU,SAUT,SD,SDM,SDT,SJ,SJD,SJS,SJT,SKN,SMY,SUT,TD,TJ,WD,WJ
			1	-----	1001281 HAT,HUT
			1	-----	1007209 TEZ,TEZR
			1	-----	1037066 SATM,SAU,SAUT,SD,SDM,SDT,SJ,SJD,SJS,SJT,SKN,SMY,SUT,TD,TJ,WD,WJ
2	14126-Z0H-003	ROLLER, 4X29.8	1		
3	14320-Z0H-010	PULLEY COMP., CAMSHAFT	1		
4	14400-Z3E-003	BELT, TIMING(71ZU6 G-300) ...	1	-----	HET,S4,SD2,SD2T,SDM1,SGT3,SGT9,SK,SKB,SKT,ST3E,ST4,TESE,TEZA,TEZE,TEZL WU
	14400-Z0H-003	1	-----	1001280 HAT,HUT
			1	-----	1007208 TEZ,TEZR
			1	-----	1037065 SATM,SAU,SAUT,SD,SDM,SDT,SJ,SJD,SJS,SJT,SKN,SMY,SUT,TD,TJ,WD,WJ
	14400-Z3E-003	1	-----	1001281 HAT,HUT
			1	-----	1007209 TEZ,TEZR
			1	-----	1037066 SATM,SAU,SAUT,SD,SDM,SDT,SJ,SJD,SJS,SJT,SKN,SMY,SUT,TD,TJ,WD,WJ
5	14711-Z0H-800	VALVE, IN.	1		
6	14721-Z0H-800	VALVE, EX.	1		
7	14751-Z0H-000	SPRING, VALVE	2		
8	14771-Z0H-000	RETAINER, VALVE SPRING	2		





Ref. No.	L.O.N.	(Relative ref. Number) Description	F.R.T.
1	1121B9	STARTER, RECOIL	0.1
4	1121B1	REEL, RECOIL STARTER	0.3
6	1121B7	SPRING, RECOIL STARTER RETURN	0.3
7	1121A9	PULLEY, RECOIL STARTER	0.3
9	1121A3	GRIP, RECOIL STARTER	0.1
10	1121B3	ROPE, RECOIL STARTER	0.3

Ref. No.	Part No.	Description	Reqd. QTY	Serial No.	Parts catalogue code
			GX 25 T		
1	28400-ZOH-003	STARTER ASSY., RECOIL	1	-----	S4,SATM,SAU,SAUT,SD,SD2,SD2T,SDM,SDM1,SDT,SGT3,SGT9,SJ,SJD,SJS,SJT,SK,SKB SKN,SKT,SMY,ST3E,ST4,SUT,TD,TEZ,TEZL,TJ,WAU,WD,WJ
	28400-ZOH-801	1	-----	TESC,TEZA,TEZE,TEZR
2	28414-ZOH-003	CASE, RECOIL STARTER	1	-----	S4,SATM,SAU,SAUT,SD,SD2,SD2T,SDM,SDM1,SDT,SGT3,SGT9,SJ,SJD,SJS,SJT,SK,SKB SKN,SKT,SMY,ST3E,ST4,SUT,TD,TEZ,TEZL,TJ,WAU,WD,WJ
3	28414-ZOH-801	CASE, RECOIL STARTER	1	-----	TESC,TEZA,TEZE,TEZR
4	28421-ZOH-003	REEL, RECOIL STARTER	1	-----	S4,SATM,SAU,SAUT,SD,SD2,SD2T,SDM,SDM1,SDT,SGT3,SGT9,SJ,SJD,SJS,SJT,SK,SKB SKN,SKT,SMY,ST3E,ST4,SUT,TD,TEZ,TEZL,TJ,WAU,WD,WJ
5	28433-ZM3-003	GUIDE, ROPE	1	-----	S4,SATM,SAU,SAUT,SD,SD2,SD2T,SDM,SDM1,SDT,SGT3,SGT9,SJ,SJD,SJS,SJT,SK,SKB SKN,SKT,SMY,ST3E,ST4,SUT,TD,TEZ,TEZL,TJ,WAU,WD,WJ
6	28442-ZOH-003	SPRING, RECOIL STARTER	1	-----	S4,SATM,SAU,SAUT,SD,SD2,SD2T,SDM,SDM1,SDT,SGT3,SGT9,SJ,SJD,SJS,SJT,SK,SKB SKN,SKT,SMY,ST3E,ST4,SUT,TD,TEZ,TEZL,TJ,WAU,WD,WJ
7	28451-ZOH-003	PULLEY, RECOIL STARTER	1	-----	S4,SATM,SAU,SAUT,SD,SD2,SD2T,SDM,SDM1,SDT,SGT3,SGT9,SJ,SJD,SJS,SJT,SK,SKB SKN,SKT,SMY,ST3E,ST4,SUT,TD,TEZ,TEZL,TJ,WAU,WD,WJ
8	28459-ZOH-003	ARM, SWING	1	-----	S4,SATM,SAU,SAUT,SD,SD2,SD2T,SDM,SDM1,SDT,SGT3,SGT9,SJ,SJD,SJS,SJT,SK,SKB SKN,SKT,SMY,ST3E,ST4,SUT,TD,TEZ,TEZL,TJ,WAU,WD,WJ
9	28461-ZM3-003	KNOB, RECOIL STARTER	1	-----	S4,SATM,SAU,SAUT,SD,SD2,SD2T,SDM,SDM1,SDT,SGT3,SGT9,SJ,SJD,SJS,SJT,SK,SKB SKN,SKT,SMY,ST3E,ST4,SUT,TD,TEZ,TEZL,TJ,WAU,WD,WJ
10	28462-ZM3-003	ROPE, RECOIL STARTER	1	-----	S4,SATM,SAU,SAUT,SD,SD2,SD2T,SDM,SDM1,SDT,SGT3,SGT9,SJ,SJD,SJS,SJT,SK,SKB SKN,SKT,SMY,ST3E,ST4,SUT,TD,TEZ,TEZL,TJ,WAU,WD,WJ
11	90012-ZM3-003	SCREW, SETTING	1	-----	S4,SATM,SAU,SAUT,SD,SD2,SD2T,SDM,SDM1,SDT,SGT3,SGT9,SJ,SJD,SJS,SJT,SK,SKB SKN,SKT,SMY,ST3E,ST4,SUT,TD,TEZ,TEZL,TJ,WAU,WD,WJ
12	90018-ZOH-003	BOLT, SOCKET, 5X16	3	-----	S4,SAU,SD,SD2,SDM,SDM1,SJ,SJD,SK,SKB,SKN,TD,TEZ,TEZL,TJ,WAU,WD,WJ
13	90043-ZOH-000	BOLT, STUD, B	2	-----	SATM,SAUT,SD2T,SDT,SGT3,SGT9,SJS,SJT,SKT,SMY,ST3E,ST4,SUT SJS



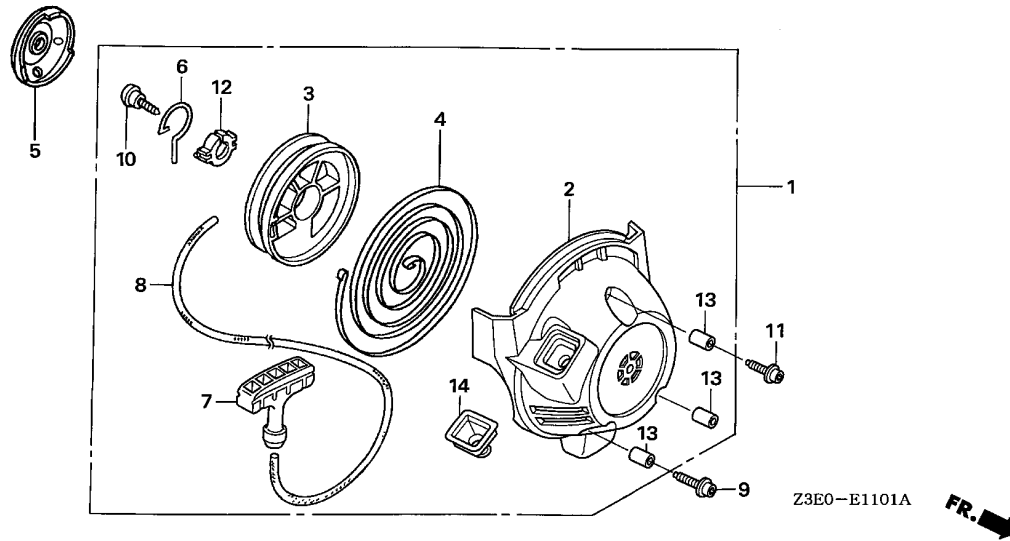
Ref. No.	Part No.	Description	Reqd. QTY		Serial No.	Parts catalogue code
			GX	T		
14	91504-ZM3-003	COLLAR	1		-----	S4, SATM, SAU, SAUT, SD, SD2, SD2T, SDM, SDM1, SDT, SGT3, SGT9, SJ, SJD, SJS, SJT, SK, SKB, SKN, SKT, SMY, ST3E, ST4, SUT, TD, TESC, TEZ, TEZA, TEZE, TEZL, TEZR, TJ, WAU, WD, WJ
15	91506-ZM3-000	COLLAR A, HEAD COVER	3		-----	S4, SATM, SAU, SAUT, SD, SD2, SD2T, SDM, SDM1, SDT, SGT3, SGT9, SJ, SJD, SJS, SJT, SK, SKB, SKN, SKT, SMY, ST3E, ST4, SUT, TD, TESC, TEZ, TEZA, TEZE, TEZL, TEZR, TJ, WAU, WD, WJ



E-11-1

RECOIL STARTER(2)

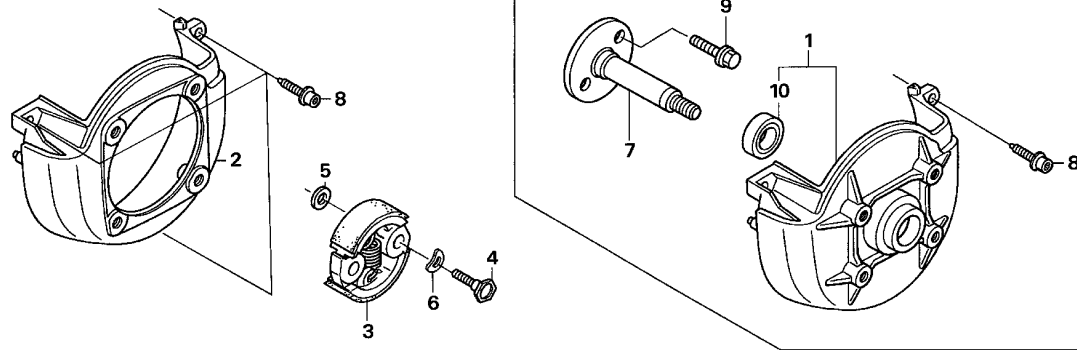
D 7



Ref. No.	L.O.N.	(Relative ref. Number) Description	F.R.T.
1	1121B9	STARTER, RECOIL	0.1
3	1121B1	REEL, RECOIL STARTER	0.3
4	1121B7	SPRING, RECOIL STARTER RETURN	0.3
5	1121A9	PULLEY, RECOIL STARTER	0.3
7	1121A3	GRIP, RECOIL STARTER	0.1
8	1121B3	ROPE, RECOIL STARTER	0.3

2

Ref. No.	Part No.	Description	Reqd. QTY	Serial No.	Parts catalogue code
			GX 25 T		
1	28400-ZOH-V01ZA	STARTER ASSY., RECOIL (HUSQVARNA ONLY)			
	T91HUSQVARNA ORANGE	1	-----	HAT,HET,HUT
2	28414-ZOH-V00ZA	CASE, RECOIL STARTER (HUSQVARNA ONLY)			
	T91HUSQVARNA ORANGE	1	-----	HAT,HET,HUT
3	28421-ZOH-003	REEL, RECOIL STARTER	1	-----	HAT,HET,HUT
4	28442-ZOH-003	SPRING, RECOIL STARTER	1	-----	HAT,HET,HUT
5	28451-ZOH-003	PULLEY, RECOIL STARTER	1	-----	HAT,HET,HUT
6	28459-ZOH-003	ARM, SWING	1	-----	HAT,HET,HUT
7	28461-ZOH-V01	KNOB, RECOIL STARTER	1	-----	HAT,HET,HUT
8	28462-ZM3-003	ROPE, RECOIL STARTER	1	-----	HAT,HET,HUT
9	90009-ZOH-003	BOLT, SOCKET, 5X20	2	-----	HAT,HET,HUT
10	90012-ZM3-003	SCREW, SETTING	1	-----	HAT,HET,HUT
11	90018-ZOH-003	BOLT, SOCKET, 5X16	1	-----	HAT,HET,HUT
12	91504-ZM3-003	COLLAR	1	-----	HAT,HET,HUT
13	91506-ZM3-000	COLLAR A, HEAD COVER	3	-----	HAT,HET,HUT
14	28475-ZOH-V01	GUIDE, ROPE	1	-----	HAT,HET,HUT

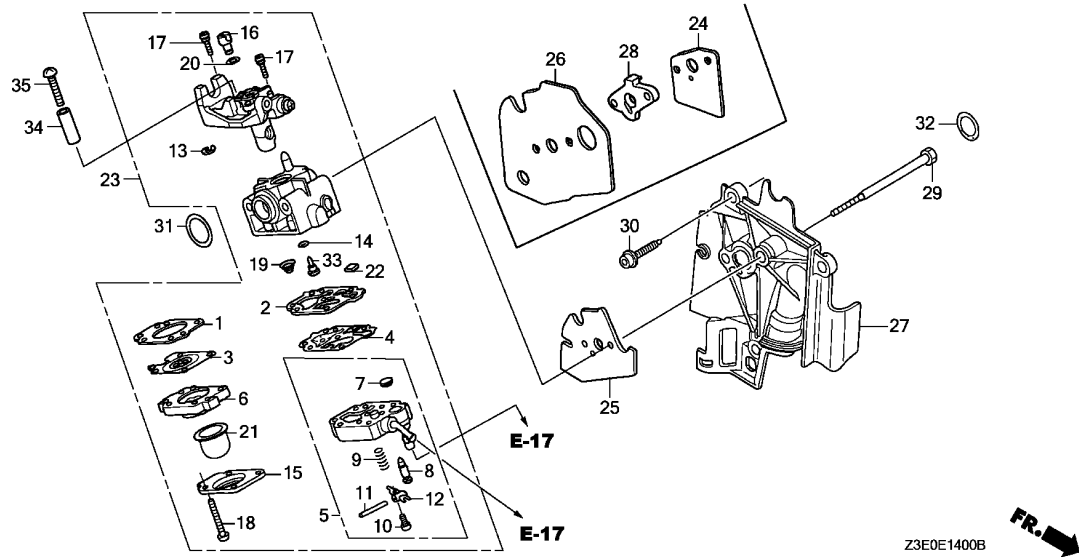


Z3E0-E1200

Ref. No.	L.O.N.	(Relative ref. Number) Description	F.R.T.
2	1141G8	COVER, ENGINE COOLING FAN	0.1
3	2121F7	CLUTCH, CENTRIFUGAL	0.3
7	2141H4	SHAFT, POWER TAKE OFF	0.3

Ref. No.	Part No.	Description	Reqd. QTY	Serial No.	Parts catalogue code
			GX 25 T		
1	19610-Z0H-801	COVER COMP., FAN	1	-----	WAU,WD,WJ
2	19611-Z0H-000	COVER, FAN	1	-----	HAT,HET,HUT,S4,SATM,SAU,SAUT,SD,SD2,SD2T,SDM,SDM1,SDT,SGT3,SGT9,SJ,SJD SJS,SJT,SK,SKB,SKN,SKT,SMY,ST3E,ST4,SUT,TD,TESC,TEZ,TEZA,TEZE,TEZL,TEZR TJ
3	22000-ZM3-003	CLUTCH ASSY.	1	-----	HAT,HET,HUT,S4,SATM,SAU,SAUT,SD,SD2,SD2T,SDT,SGT3,SGT9,SJ,SJS,SJT,SK,SKN SKT,SMY,ST3E,ST4,SUT,TD,TJ
	22000-Z0H-U61	1	-----	SDM,SDM1,SJD
	22000-Z0H-801	1	-----	SKB
	22000-Z0H-811	1	-----	TESC,TEZ,TEZA,TEZE,TEZL,TEZR
4	22253-Z3E-000	BOLT, CLUTCH(6MM)	2	-----	HAT,HET,HUT,S4,SATM,SAU,SAUT,SD,SD2,SD2T,SDT,SGT3,SGT9,SJ,SJS,SJT,SK,SKB SKN,SKT,SMY,ST3E,ST4,SUT,TD,TESC,TEZ,TEZA,TEZE,TEZL,TEZR,TJ
	22253-Z3E-U60	2	-----	SDM,SDM1,SJD
5	22254-Z3E-000	WASHER, CLUTCH(6X15)	2	-----	HAT,HET,HUT,S4,SATM,SAU,SAUT,SD,SD2,SD2T,SDT,SGT3,SGT9,SJ,SJS,SJT,SK,SKB SKN,SKT,SMY,ST3E,ST4,SUT,TD,TESC,TEZ,TEZA,TEZE,TEZL,TEZR,TJ
	22254-Z3E-U60	WASHER, CLUTCH(6MM)	2	-----	SDM,SDM1,SJD
6	22255-Z3E-000	WASHER, WAVE(8MM)	2	-----	HAT,HET,HUT,S4,SATM,SAU,SAUT,SD,SD2,SD2T,SDT,SGT3,SGT9,SJ,SJS,SJT,SK,SKB SKN,SKT,SMY,ST3E,ST4,SUT,TD,TESC,TEZ,TEZA,TEZE,TEZL,TEZR,TJ
	22255-Z3E-U60	WASHER, WAVE	2	-----	SDM,SDM1,SJD
7	40210-Z0H-800	SHAFT COMP., P.T.O.	1	-----	WAU,WD,WJ
8	90009-Z0H-003	BOLT, SOCKET, 5X20	3	-----	
9	96001-06022-00	BOLT, FLANGE, 6X22	2	-----	WAU,WD,WJ
10	96150-60010-10	BEARING, RADIAL BALL, 6001UU	1	-----	WAU,WD,WJ



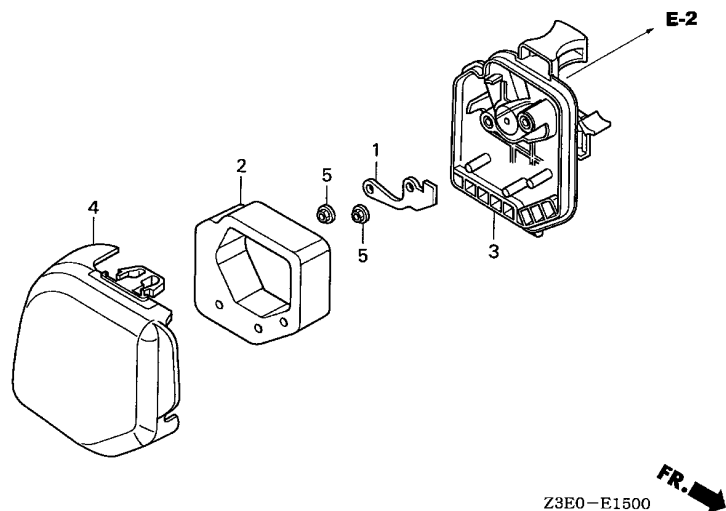


Ref. No.	L.O.N.	(Relative ref. Number) Description	F.R.T.
2	3111B7	(19,22) GASKET, CARBURETOR PUMP	0.4
5	3111A0	(4,7) BODY ASSEMBLY, PUMP	0.4
6	3111A1	(1,3) BODY, AIR PURGE	0.3
8	3111E3	(9,11,12) VALVE, INLET NEEDLE	0.4
21	3111D5	PUMP, PRIMER	0.3
23	3111F3	CARBURETOR	0.2
25	3111C8	(24) PACKING, CARBURETOR	0.2
27	4141E3	(26) SHROUD, ENGINE	0.2
28	4141E7	(26) SPACER, SHROUD	0.2
31	3111C7	(14) O-RING, CARBURETOR BODY	0.1
33	3111C3	JET, MAIN	0.4

Ref. No.	Part No.	Description	Reqd. QTY	Serial No.	Parts catalogue code
			GX 25 T		
1	16010-ZM3-004	GASKET, METERING DIAPHRAGM ..	1		
2	16011-ZOH-013	GASKET, PUMP	1		
3	16013-ZOH-003	DIAPHRAGM ASSY., METERING ...	1		
4	16014-ZM3-004	DIAPHRAGM, PUMP	1		
5	16015-ZOH-013	BODY ASSY., PUMP	1	-----	HAT, HET, HUT, S4, SATM, SAU, SAUT, SD, SD2, SD2T, SDM, SDM1, SDT, SGT3, SGT9, SJ, SJD, SJS, SJT, SK, SKN, SKT, SMY, ST3E, ST4, SUT, TD, TESC, TEZ, TEZA, TEZE, TEZL, TEZR, TJ, WAU, WD, WJ
	16015-Z3F-J42	1	-----	SKB
6	16017-ZM3-004	BODY ASSY., AIR PURGE	1		
7	16018-ZM3-802	SCREEN, INLET	1		
8	16019-ZM3-004	VALVE, INLET NEEDLE	1		
9	16020-ZM3-004	SPRING, METERING LEVER	1		
10	16021-ZM3-004	SCREW, METERING LEVER PIN ...	1	-----	HAT, HET, HUT, S4, SATM, SAU, SAUT, SD, SD2, SD2T, SDM, SDM1, SDT, SGT3, SGT9, SJ, SJD, SJS, SJT, SK, SKN, SKT, SMY, ST3E, ST4, SUT, TD, TESC, TEZ, TEZA, TEZE, TEZL, TEZR, TJ, WAU, WD, WJ
	16021-Z3F-J42	1	-----	SKB
11	16022-ZM3-014	PIN, METERING LEVER	1		
12	16023-ZM3-004	LEVER, METERING	1		
13	16024-ZOH-003	RING, RETAINING	1		
14	16025-ZM3-004	O-RING	1		
15	16026-ZM3-004	COVER, PRIMER PUMP	1		
16	16027-ZM3-004	SWIVEL	1		
17	16028-ZM3-004	SCREW, THROTTLE COLLAR	2		
18	16029-ZM3-004	SCREW, PUMP COVER	4		
19	16030-ZM3-004	SPRING, PUMP	1		
20	16031-ZM3-004	WASHER	1		

Ref. No.	Part No.	Description	Reqd. QTY		Serial No.	Parts catalogue code
			GX 25 T			
21	16032-ZM3-004	PUMP, PRIMER	1			
22	16035-ZM3-802	FILTER, FUEL INLET	1			
23	16100-ZOH-043	CARBURETOR ASSY.(WYB 6D)	1	-----	HAT,HET	
	16100-ZOH-804	CARBURETOR ASSY.(WYB 7C)	1	-----	HUT,SATM,SAU,SAUT,SUT	
	16100-ZOH-053	CARBURETOR ASSY.(WYB 6F)	1	-----	S4,SGT3,SGT9,ST3E,ST4	
	16100-ZOH-814	CARBURETOR ASSY.(WYB 8A)	1	-----	SD,SD2,SD2T,SDM,SDM1,SDT,SJ,SJD,SJS,SJT,SK,SKT,SMY,TEZE	
	16100-Z3E-D02	CARBURETOR ASSY.(WYB 32)	1	-----	SKB	
	16100-ZOH-854	CARBURETOR ASSY.(WYB 11A) ...	1	-----	SKN,TD,TJ	
	16100-ZOH-862	CARBURETOR ASSY.(WYB 19B) ...	1	-----	TESC,TEZ,TEZA,TEZL,TEZR	
	16100-ZOH-833	CARBURETOR ASSY.(WYB 10A) ...	1	-----	WD,WJ	
	16100-ZOH-G92	CARBURETOR ASSY.(WYB 21A) ...	1	-----	1846545 WAU	
	16100-ZOH-G93	CARBURETOR ASSY.(WYB 21B) ...	1	1846546	WAU	
24	16221-ZM3-000	PACKING, CARBURETOR	1	-----	SDM,SDM1,SJD,SKB,WAU,WD,WJ	
25	16221-ZOH-V00	PACKING, CARBURETOR	1	-----	HAT,HET,HUT	
	16221-ZOH-000	1	-----	S4,SATM,SAU,SAUT,SD,SD2,SD2T,SDT,SGT3,SGT9,SJ,SJS,SJT,SK,SKN,SKT,SMY,ST3E,ST4,SUT,TD,TEZ,TEZA,TEZE,TEZL,TEZR,TJ	
26	16222-ZOH-800	PACKING, SHROUD	1	-----	SDM,SDM1,SJD,SKB,WAU,WD,WJ	
27	19631-ZOH-000	SHROUD	1			
28	19632-ZOH-800	SPACER, SHROUD	1	-----	SDM,SDM1,SJD,SKB,WAU,WD,WJ	
29	90014-ZOH-003	BOLT, 5X53	2	-----	HAT,HET,HUT,S4,SATM,SAU,SAUT,SD,SD2,SD2T,SDT,SGT3,SGT9,SJ,SJS,SJT,SK,SKN,SKT,SMY,ST3E,ST4,SUT,TD,TEZ,TEZA,TEZE,TEZL,TEZR,TJ	
	90014-ZOH-801	BOLT, 5X59	2	-----	SDM,SDM1,SJD,SKB,WAU,WD,WJ	
30	90018-ZOH-003	BOLT, SOCKET, 5X16	3			
31	91301-ZM3-000	O-RING, 14.8X2.4	1			
32	91308-Z3E-000	O-RING, 12.3X2.4	1			
33	99101-ZM5-0330	JET(#33)	(1)			
	99101-ZOH-0320	JET(#32)	(1)	-----	HAT,HET,S4,SD,SD2,SD2T,SDM,SDM1,SDT,SGT3,SGT9,SJ,SJD,SJS,SJT,SK,SKN,SKT,SMY,ST3E,ST4,TD,TEZ,TEZA,TEZE,TEZL,TEZR,TJ,WD,WJ	
	99101-ZM5-0340	JET(#34)	1	-----	HAT,HET,S4,SD,SD2,SD2T,SDM,SDM1,SDT,SGT3,SGT9,SJ,SJD,SJS,SJT,SK,SKN,SKT,SMY,ST3E,ST4,TD,TEZ,TEZA,TEZE,TEZL,TEZR,TJ,WD,WJ	
	99101-ZM5-0350	JET(#35)	(1)	-----	HUT,SATM,SAU,SAUT,SKB,SUT,WAU	
34	91501-Z3E-A20	COLLAR, 5.75X17	1	-----	HUT,SATM,SAU,SAUT,SKB,SUT,WAU	
35	93500-03025-0A	SCREW, PAN, 3X25	1	-----	TEZL	





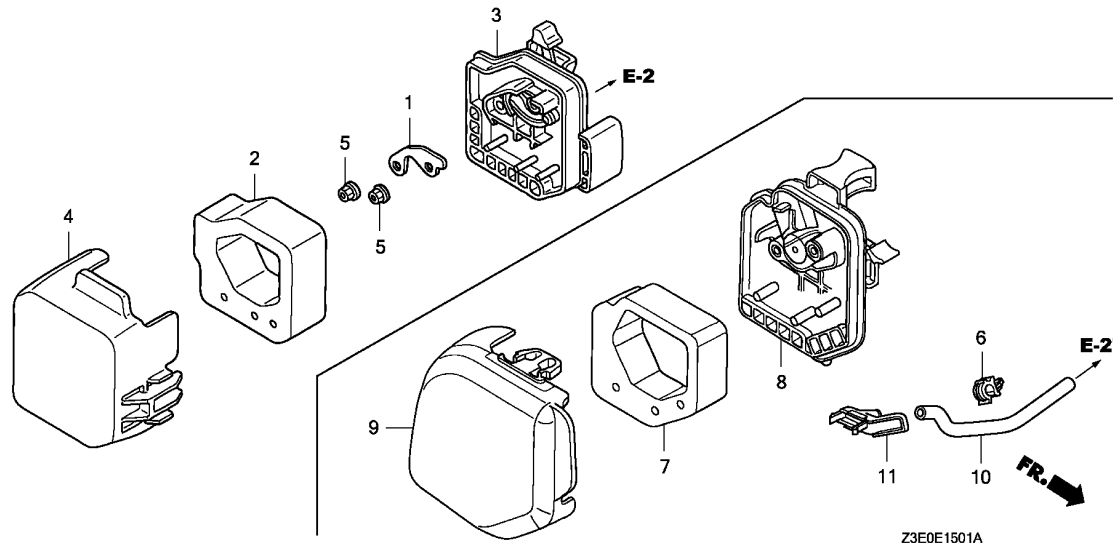
Ref. No.	L.O.N.	(Relative ref. Number) Description	F.R.T.
2	3121B8	ELEMENT, AIR CLEANERINCLUDES: Air cleaner element -inspection	0.1
3	3121A5	CASE, AIR CLEANER	0.1
4	3121B1	COVER, AIR CLEANER	0.1

Ref. No.	Part No.	Description	Reqd. QTY	Serial No.	Parts catalogue code
			GX 25 T		
1	17204-ZOH-000	PLATE, OIL TRAP	1	-----	HAT,HET,HUT,S4,SATM,SAU,SAUT,SD,SD2,SD2T,SDM,SDM1,SDT,SGT3,SGT9,SJ,SJD,SJS,SJT,SK,SKB,SKT,SMY,ST3E,ST4,SUT,WAU,WD,WJ
2	17211-ZOH-V00	ELEMENT, AIR CLEANER(SEMI-DRY) (HUSQVARNA ONLY)	1	-----	HAT,HET,HUT
	17211-ZOH-000	ELEMENT, AIR CLEANER	1	-----	S4,SATM,SAU,SAUT,SD,SD2,SD2T,SDM,SDM1,SDT,SGT3,SGT9,SJ,SJD,SJS,SJT,SK,SKB,SKT,SMY,ST3E,ST4,SUT,WAU,WD,WJ
3	17220-ZOH-V00ZA	CASE COMP., AIR CLEANER (HUSQVARNA ONLY)	1	-----	HAT,HET,HUT
	T93HUSQVARNA GRAY	1	-----	S4,SD2,SD2T,SGT3,SGT9,SKB,ST3E,ST4,WAU
	17220-ZOH-010	CASE COMP., AIR CLEANER	1	-----	S4,SD2,SD2T,SGT3,SGT9,SKB,ST3E,ST4,WAU
	17220-ZOH-000	1	1326918	SATM,SAU,SAUT,SD,SDM,SDM1,SDT,SJ,SJD,SJS,SJT,SK,SKT,SMY,SUT,WD,WJ
	17220-ZOH-010	1	1326919	SATM,SAU,SAUT,SD,SDM,SDM1,SDT,SJ,SJD,SJS,SJT,SK,SKT,SMY,SUT,WD,WJ
4	17231-ZOH-V00ZA	COVER, AIR CLEANER (HUSQVARNA ONLY)	1	-----	HAT,HET,HUT
	T93HUSQVARNA GRAY	1	-----	S4,SGT3,SGT9,SKB,ST3E,ST4
	17231-ZOH-010	COVER, AIR CLEANER	1	-----	S4,SGT3,SGT9,SKB,ST3E,ST4
	17231-ZOH-000	1	-----	SATM,SAU,SAUT,SD,SD2,SD2T,SDM,SDM1,SDT,SJ,SJD,SJS,SJT,SK,SKT,SMY,SUT,WAU,WD,WJ
5	94050-05000	NUT, FLANGE, 5MM	2	-----	HAT,HET,HUT,S4,SATM,SAU,SAUT,SD,SD2,SD2T,SDM,SDM1,SDT,SGT3,SGT9,SJ,SJD,SJS,SJT,SK,SKB,SKT,SMY,ST3E,ST4,SUT,WAU,WD,WJ

E-15-1

AIR CLEANER(2)

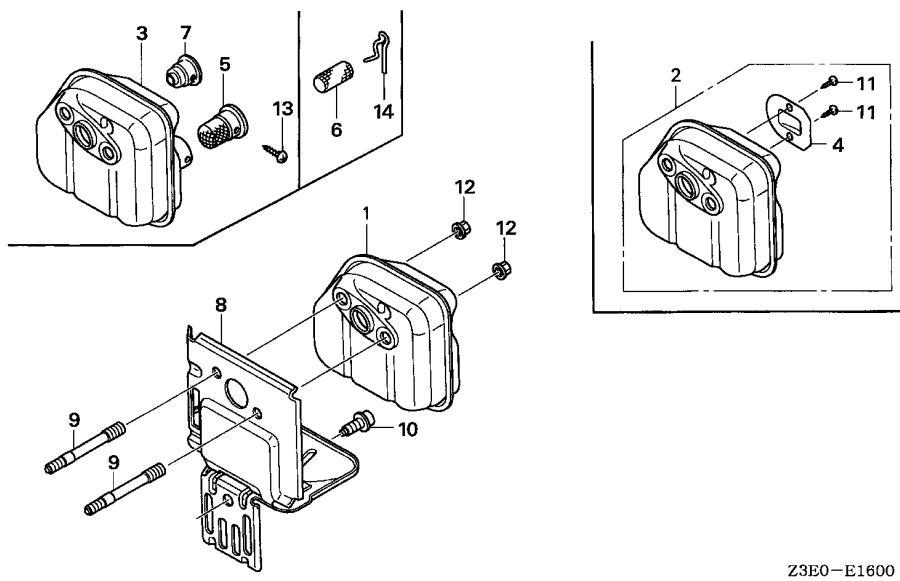
D12



Ref. No.	L.O.N.	(Relative ref. Number) Description	F.R.T.
2	3121B8	(7) ELEMENT, AIR CLEANERINCLUDES: Air cleaner element -inspection	0.1
3	3121A5	(8) CASE, AIR CLEANER	0.1
4	3121B1	(9) COVER, AIR CLEANER	0.1
10	3121Q1	TUBE, HOT AIR	0.1

Ref. No.	Part No.	Description	Reqd. QTY		Serial No.	Parts catalogue code
			GX	T		
1	17204-ZOH-800	PLATE, OIL TRAP	1	-----	-----	SKN,TD,TESC,TEZ,TEZA,TEZE,TEZL,TEZR,TJ
2	17211-ZOH-800	ELEMENT, AIR CLEANER	1	-----	-----	SKN,TD,TEZ,TEZA,TEZE,TEZL,TEZR,TJ
3	17220-ZOH-802	CASE COMP., AIR CLEANER	1	-----	-----	SKN,TD,TJ
	17220-ZOH-810	1	-----	-----	TEZ,TEZA,TEZE,TEZL,TEZR
4	17231-ZOH-801	COVER, AIR CLEANER	1	-----	-----	SKN,TD,TJ
	17231-ZOH-810	1	-----	-----	TEZ,TEZA,TEZE,TEZL,TEZR
5	94050-05000	NUT, FLANGE, 5MM	2	-----	-----	SKN,TD,TESC,TEZ,TEZA,TEZE,TEZL,TEZR,TJ
6	16731-ZE2-003	CLIP, TUBE	1	-----	-----	TESC
7	17211-ZOH-000	ELEMENT, AIR CLEANER	1	-----	-----	TESC
8	17220-ZOH-010	CASE COMP., AIR CLEANER	1	-----	-----	TESC
9	17231-ZOH-000	COVER, AIR CLEANER	1	-----	-----	TESC
10	17241-Z6J-800	TUBE, HOT AIR	1	-----	-----	TESC
11	17242-Z6J-800	JOINT, HOT AIR	1	-----	-----	TESC

2

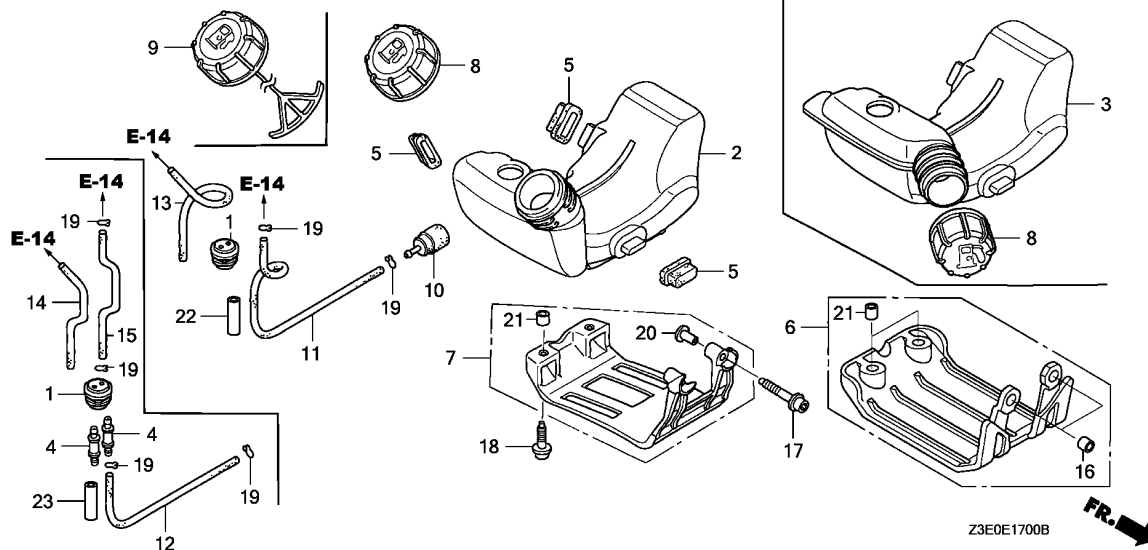


Ref. No.	L.O.N.	(Relative ref. Number) Description	F.R.T.
1	(2,3)		
3131C5		MUFFLER, EXHAUST	0.1
4	(5)		
3131A1		ARRESTER, SPARK	0.1
		.INCLUDES: Spark arrester check	
8	3131B6	GUIDE, AIR EXHAUST	0.1

Ref. No.	Part No.	Description	Reqd. QTY		Serial No.	Parts catalogue code
			GX	T		
1	18310-Z0H-000	MUFFLER COMP.	1	-----	SD,SD2,SD2T,SDM,SDM1,SDT,SJ,SJD,SJS,SJT,SK,SKB,SKN,SKT,SMY,WD,WJ	
2	18310-Z0H-800	MUFFLER COMP.	1	-----	HAT,HET,HUT,S4,SAU,SAUT,SGT3,SGT9,ST3E,ST4,SUT,WAU	
			(1)	-----	WD,WJ	
3	18310-Z0H-820	MUFFLER COMP.	1	-----	SATM,TD,TJ	
	18310-Z0H-840	MUFFLER COMP. (ARRESTER)	(1)	-----	TD,TJ	
	18310-Z0H-850	MUFFLER COMP.	1	-----	TESC,TEZ,TEZA,TEZE,TEZL,TEZR	
4	18350-Z0H-800	ARRESTER COMP., SPARK	1	-----	HAT,HET,HUT,S4,SAU,SAUT,SGT3,SGT9,ST3E,ST4,SUT,WAU	
			(1)	-----	WD,WJ	
5	18350-Z0H-820	ARRESTER COMP., SPARK	(1)	-----	TD,TJ	
6	18354-Z0H-800	FILTER, EXHAUST	1	-----	TESC,TEZ,TEZA,TEZE,TEZL,TEZR	
7	18366-Z0H-820	FLANGE, BAFFLE	1	-----	SATM,TD,TJ	
8	18515-Z0H-000	GUIDE, AIR EX.	1	-----	HAT,HET,HUT,S4,SATM,SAU,SAUT,SD,SD2,SD2T,SDM,SDM1,SDT,SGT3,SGT9,SJ,SJD	
	18510-Z0H-800	GUIDE COMP., AIR EX.	1	-----	SJS,SJT,SK,SKB,SKN,SKT,SMY,ST3E,ST4,SUT,TD,TJ,WAU,WD,WJ	
	18510-Z0H-800	GUIDE COMP., AIR EX.	1	-----	TESC,TEZ,TEZA,TEZE,TEZL,TEZR	
9	90001-Z0H-003	BOLT, STUD, 2.5X42	2	-----		
10	90011-Z0H-003	BOLT, SOCKET, 5X10(CT)	1	-----		
11	90055-ZE1-000	SCREW, TAPPING, 4X6	2	-----	HAT,HET,HUT,S4,SAU,SAUT,SGT3,SGT9,ST3E,ST4,SUT,WAU	
			(2)	-----	WD,WJ	
12	90136-SM4-901	NUT, SELF-LOCK, 5MM	2	-----		
13	93901-22010	SCREW, TAPPING, 3X6	1	-----	SATM,TD,TJ	
14	94251-06000	PIN, LOCK, 6MM	1	-----	TESC,TEZ,TEZA,TEZE,TEZL,TEZR	

E-17

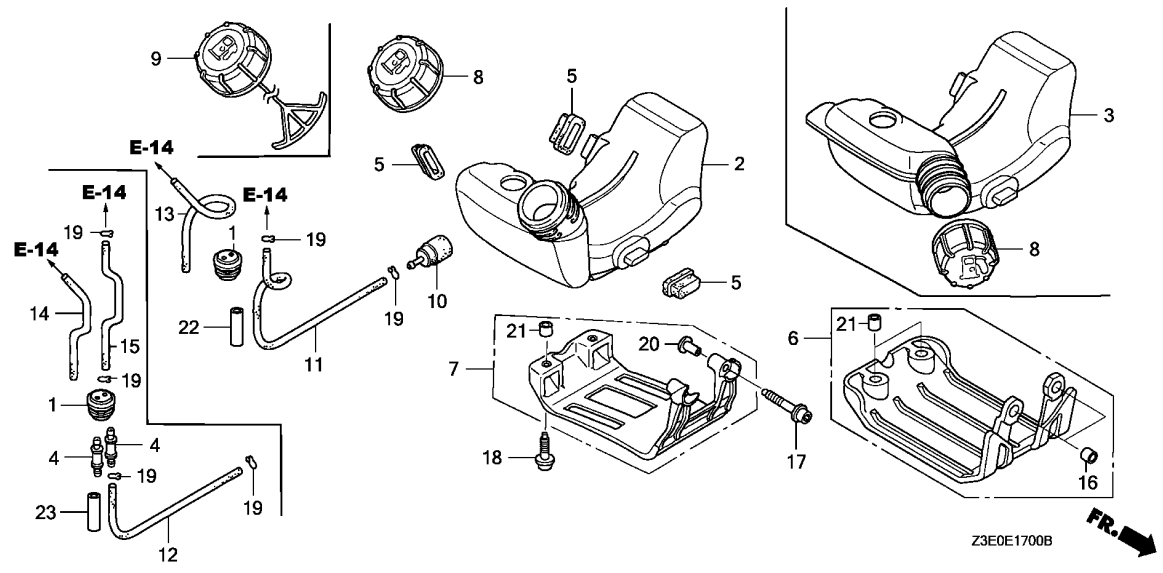
FUEL TANK



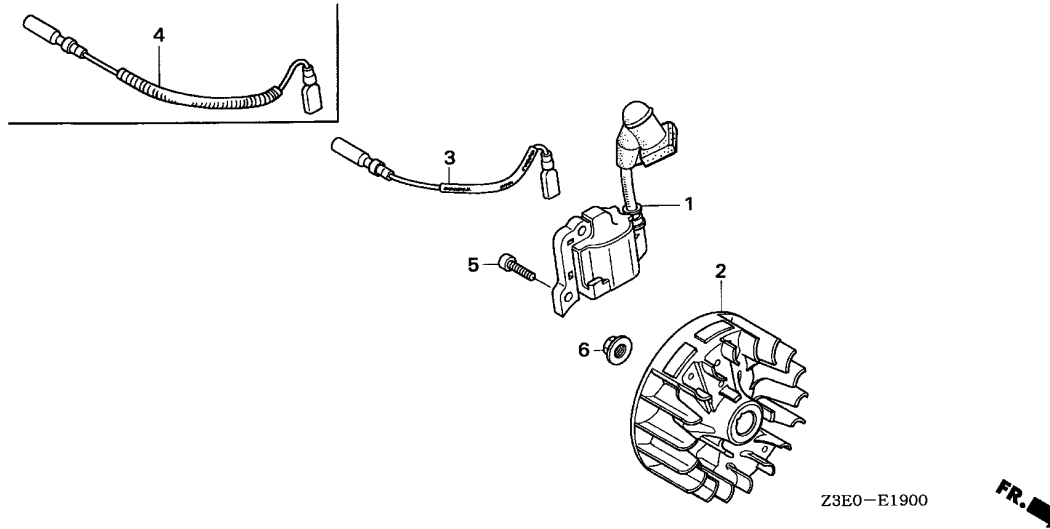
Ref. No.	L.O.N.	(Relative ref. Number) Description	F.R.T.
1	3101J0	GROMMET, FUEL TUBE	0.2
2		(3)	
	3101H7	TANK, FUEL	0.2
6		(7)	
	3101A9	GUARD, TANK	0.1
10	3101A6	FILTER, FUEL	0.2
11	3101F1	TUBE, FUEL TANK	0.2

Ref. No.	Part No.	Description	Reqd. QTY	Serial No.	Parts catalogue code
			GX 25 T		
1	17504-ZM3-003	GROMMET, FUEL TUBE	1		
2	17511-Z0H-305	TANK, FUEL(FOR U.S.A.)	1	-----	HAT
	17511-Z0H-023	TANK, FUEL	1	-----	HET,HUT,S4,SATM,SAU,SAUT,SD,SD2,SD2T,SDM,SDM1,SDT,SGT3,SGT9,SJ,SJD,SJS SJT,SK,SKB,SKN,SKT,SMY,ST3E,ST4,SUT,WAU,WD,WJ
	17511-Z6J-003	1	1007683	HAT
	17511-Z6J-830	1	1007684 1026668	HAT
	17511-Z6J-830	1	1026669	HAT
3	17511-Z0H-823	TANK, FUEL	1	-----	TD,TESC,TEZ,TEZA,TEZE,TEZL,TEZR,TJ
4	17519-ZM5-003	FITTING	2	-----	TD,TESC,TEZ,TEZA,TEZE,TEZL,TEZR,TJ
5	17533-Z0H-000	RUBBER, TANK MOUNTING	3		
6	17555-Z0H-V00ZA	GUARD COMP., TANK (HUSQVARNA ONLY)			
	T93.....	HUSQVARNA GRAY	1	-----	HAT,HET,HUT
7	17555-Z0H-010	GUARD, TANK	1	-----	SATM,SAUT,SD2T,SDT,SGT3,SGT9,SJT,SKT,SMY,ST3E,ST4,SUT
8	17620-ZM3-063	CAP ASSY., FUEL TANK	1	-----	S4,SATM,SAU,SAUT,SD,SD2,SD2T,SDM,SDM1,SDT,SGT3,SGT9,SJ,SJD,SJS,SJT,SK,SKN SKT,SMY,ST3E,ST4,SUT,TD,TESC,TEZ,TEZA,TEZE,TEZL,TEZR,TJ,WAU,WD,WJ
9	17620-ZM3-817	CAP ASSY., FUEL TANK	1	-----	HAT,HET,HUT,SKB
10	17672-Z0H-003	FILTER, FUEL	1		
11	17701-Z0H-003	TUBE, FUEL TANK	1	-----	HAT,HET,HUT,S4,SATM,SAU,SAUT,SD,SD2,SD2T,SDM,SDM1,SDT,SGT3,SGT9,SJ,SJD SJS,SJT,SK,SKB,SKN,SKT,SMY,ST3E,ST4,SUT,WAU,WD,WJ
12	17701-Z0H-821	TUBE, FUEL TANK	1	-----	TEZ,TEZL,TEZR
	17701-Z0H-820	1	1002908	TD,TJ
	17701-Z0H-821	1	1002909	TD,TJ
13	17702-Z0H-003	TUBE, FUEL RETURN	1	-----	HAT,HET,HUT,S4,SATM,SAU,SAUT,SD,SD2,SD2T,SDM,SDM1,SDT,SGT3,SGT9,SJ,SJD SJS,SJT,SK,SKN,SKT,SMY,ST3E,ST4,SUT,WAU,WD,WJ
	17702-Z3E-D01	1	-----	SKB
14	17702-Z0H-821	TUBE, FUEL RETURN	1	-----	TEZ,TEZL,TEZR





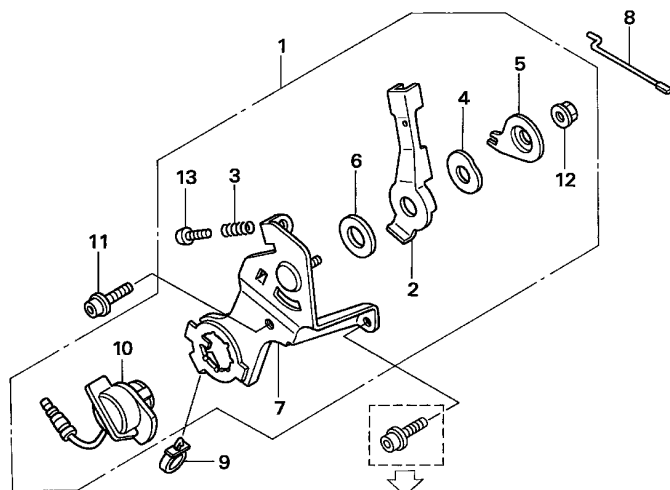
Ref. No.	Part No.	Description	Reqd. QTY		Serial No.	Parts catalogue code
			GX	T		
14)	17702-ZOH-820	TUBE, FUEL RETURN	1	-----	1002908	TD,TJ
	17702-ZOH-821	1	-----	1002909	TD,TJ
15	17703-ZOH-821	TUBE A, FUEL	1	-----	-----	TESC,TEZ,TEZA,TEZE,TEZL,TEZR
	17703-ZOH-820	1	-----	1002908	TD,TJ
	17703-ZOH-821	1	-----	1002909	TD,TJ
16	80115-MC7-640	COLLAR, RR. MUDGUARD	2	-----	-----	HAT,HET,HUT
17	90010-ZOH-003	BOLT, SOCKET, 5X30	2	-----	-----	SATM,SAUT,SD2T,SDT,SGT3,SGT9,SJT,SKT,SMY,ST3E,ST4,SUT
18	90018-ZOH-003	BOLT, SOCKET, 5X16	2	-----	-----	HAT,HET,HUT,SATM,SAUT,SD2T,SDT,SGT3,SGT9,SJT,SKT,SMY,ST3E,ST4,SUT
19	91401-ZM3-003	CLIP, TUBE	2	-----	-----	HAT,HET,HUT,S4,SATM,SAU,SAUT,SD,SD2,SD2T,SDM,SDM1,SDT,SGT3,SGT9,SJ,SJD SJS,SJT,SK,SKB,SKN,SKT,SMY,ST3E,ST4,SUT,WAU,WD,WJ
20	91501-ZOH-000	COLLAR, TANK GUARD	4	-----	-----	TD,TESC,TEZ,TEZA,TEZE,TEZL,TEZR,TJ
		2	-----	-----	SATM,SAUT,SD2T,SDT,SGT3,SGT9,SJT,SKT,SMY,ST3E,ST4,SUT
21	91506-ZM3-000	COLLAR A, HEAD COVER	2	-----	-----	HAT,HET,HUT,SATM,SAUT,SD2T,SDT,SGT3,SGT9,SJT,SKT,SMY,ST3E,ST4,SUT
22	16865-Z6J-000	PROTECTOR, TUBE	1	-----	-----	HAT,HET,HUT,S4,SATM,SAU,SAUT,SD,SD2,SD2T,SDM,SDM1,SDT,SGT3,SGT9,SJ,SJD SJS,SJT,SK,SKB,SKN,SKT,SMY,ST3E,ST4,SUT,WAU,WD,WJ
23	16865-Z6J-000	PROTECTOR, TUBE	1	-----	-----	TD,TEZ,TEZA,TEZE,TEZL,TEZR,TJ
	16865-Z6J-800	1	-----	-----	TESC



Ref. No.	L.O.N.	(Relative ref. Number) Description	F.R.T.
1	6141A5	COIL, IGNITION(ONE)	0.1
2	2161B5	FLYWHEEL	0.3
3		(4)	
	6111B3	CORD, STOP SWITCH	0.1

Ref. No.	Part No.	Description	Reqd. QTY	Serial No.	Parts catalogue code
			GX 25 T		
1	30500-Z3E-013	COIL ASSY., IGNITION	1	-----	HAT,HET,HUT,S4,SATM,SAU,SAUT,SD,SD2,SD2T,SDM,SDM1,SDT,SGT3,SGT9,SJ,SJD SJS,SJT,SK,SKB,SKN,SKT,SMY,ST3E,ST4,SUT,TD,TJ,WAU,WD,WJ
	30500-Z0H-801	1	-----	TESC,TEZ,TEZA,TEZE,TEZL,TEZR
2	31110-Z3E-003	FLYWHEEL COMP.	1	-----	HAT,HET,HUT,S4,SATM,SAU,SAUT,SD,SD2,SD2T,SDM,SDM1,SDT,SGT3,SGT9,SJ,SJD SJS,SJT,SK,SKB,SKN,SKT,SMY,ST3E,ST4,SUT,TD,TJ
	31110-Z0H-821	1	-----	TESC,TEZ,TEZA,TEZE,TEZL,TEZR
	31110-Z3E-811	1	-----	WAU,WD,WJ
3	32195-Z0H-000	CORD, STOP SWITCH	1	-----	HAT,HET,HUT,S4,SATM,SAU,SAUT,SD,SD2,SD2T,SDM,SDM1,SDT,SGT3,SGT9,SJ,SJD SJS,SJT,SK,SKB,SKN,SKT,SMY,ST3E,ST4,SUT,TD,TJ
	32195-Z0H-810	1	-----	TESC,TEZ,TEZA,TEZE,TEZL,TEZR
4	32195-Z0H-800	CORD, STOP SWITCH	1	-----	WAU,WD,WJ
5	90012-Z3E-003	BOLT, SOCKET, 4X14	2	-----	HET,S4,SD2,SD2T,SDM1,SGT3,SGT9,SK,SKB,SKT,ST3E,ST4,TESC,TEZA,TEZE,TEZL WAU
	90012-Z0H-005	2	-----	1001280 HAT,HUT
		2	-----	1007208 TEZ,TEZR
		2	-----	1037065 SATM,SAU,SAUT,SD,SDM,SDT,SJ,SJD,SJS,SJT,SKN,SMY,SUT,TD,TJ,WD,WJ
	90012-Z3E-003	2	1001281	HAT,HUT
		2	1007209	TEZ,TEZR
		2	1037066	SATM,SAU,SAUT,SD,SDM,SDT,SJ,SJD,SJS,SJT,SKN,SMY,SUT,TD,TJ,WD,WJ
6	90355-427-770	NUT, FLANGE, 7MM	1		



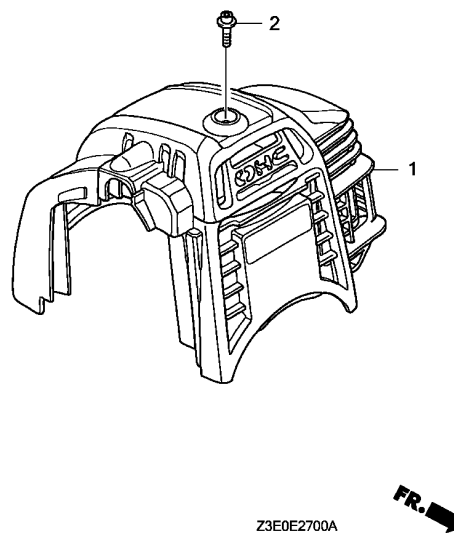
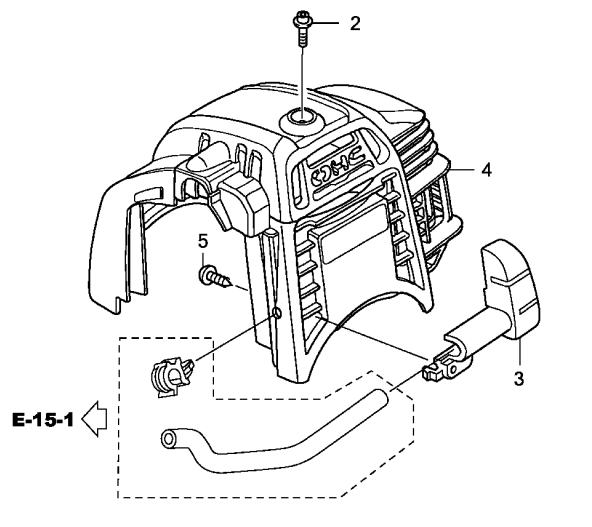


Z3E0-E2200

FR. →

Ref. No.	L.O.N.	(Relative ref. Number) Description	F.R.T.
1	1161A5	CONTROL, THROTTLE/GOVERNOR ...	0.2
2	1161A8	LEVER, CONTROL	0.3
7	1161A2	BASE, CONTROL	0.3
10	6151D9	SWITCH, ENGINE STOP	0.1

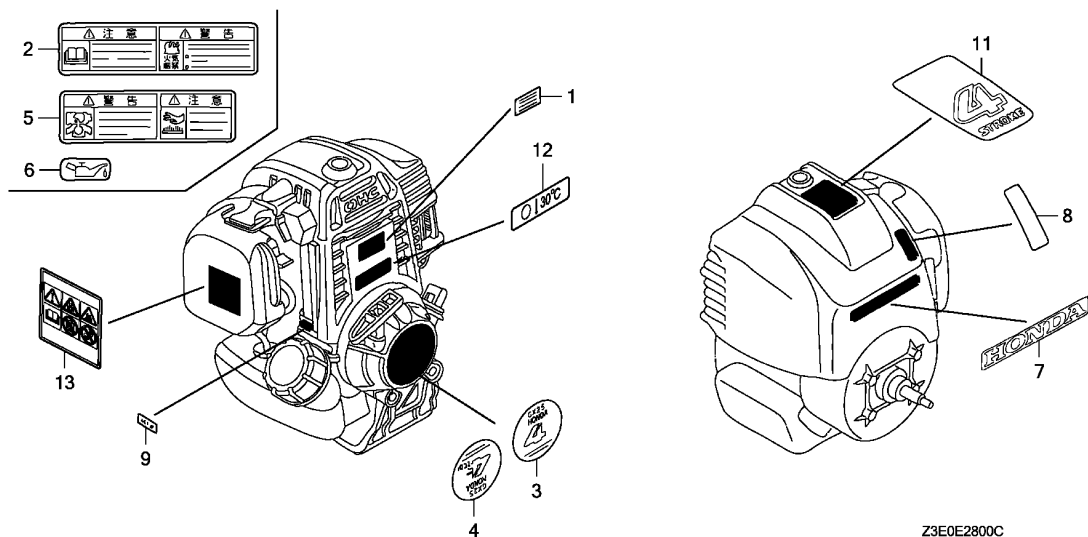
Ref. No.	Part No.	Description	Reqd. QTY	Serial No.	Parts catalogue code
			GX 25 T		
1	16500-ZOH-801	CONTROL ASSY.	1	-----	WAU,WD,WJ
2	16571-ZOH-800	LEVER, CONTROL	1	-----	WAU,WD,WJ
3	16571-892-000	SPRING, CONTROL ADJUSTING ...	1	-----	WAU,WD,WJ
4	16574-ZE1-000	SPRING, LEVER	1	-----	WAU,WD,WJ
5	16575-ZH8-000	WASHER, CONTROL LEVER	1	-----	WAU,WD,WJ
6	16578-ZE1-000	SPACER, CONTROL LEVER	1	-----	WAU,WD,WJ
7	16580-ZOH-800	BASE COMP., CONTROL	1	-----	WAU,WD,WJ
8	17841-ZOH-800	ROD, THROTTLE	1	-----	WAU,WD,WJ
9	30701-883-000	CLIP, HIGH TENSION CORD(8MM)	1	-----	WAU,WD,WJ
10	35120-ZOD-V81	SWITCH ASSY., ENGINE STOP ...	1	-----	WAU,WD,WJ
11	90011-ZOH-801	BOLT, SOCKET, 5X10	1	-----	WAU,WD,WJ
12	90114-SAO-000	NUT, SELF-LOCK, 6MM	1	-----	WAU,WD,WJ
13	93500-05025-0A	SCREW, PAN, 5X25	1	-----	WAU,WD,WJ



Ref. No.	L.O.N.	(Relative ref. Number) Description	F.R.T.
1		(4) COVER, ENGINE TOP	0.1
3		DUCT, HOT AIR	0.1

Ref. No.	Part No.	Description	Reqd. QTY	Serial No.	Parts catalogue code
			GX 25 T		
1	19720-ZOH-V00ZA	COVER COMP., TOP (HUSQVARNA ONLY)	1	-----	HAT,HET,HUT
		T91.....HUSQVARNA ORANGE	1	-----	
	19720-ZOH-000ZB	COVER COMP., TOP	1	-----	S4,SAU,SAUT,SD,SD2,SD2T,SDM,SDM1,SDT,SJ,SJD,SJS,SJT,SK,SKB,SKN,SKT,SMY
		R280.....POWER RED	1	-----	ST4,SUT,WAU,WD,WJ
	19720-ZOH-800ZA	*R280*.....POWER RED	1	-----	SATM,TD,TJ
	19720-ZOH-000ZC	*T92*.....STIGA YELLOW	1	-----	SGT3
	19720-ZOH-000ZD	*T100*.....EMAK RED	1	-----	SGT9
	19720-ZOH-000ZF	*T103*.....ELMOS BLUE	1	-----	ST3E
	19720-ZOH-810ZA	*R280*.....POWER RED	1	-----	TEZ,TEZE,TEZL,TEZR
	19720-ZOH-810ZC	*T100*.....EMAK RED	1	-----	TEZA
	19720-ZOH-810ZD	*T101*.....EMAK ORANGE	1	-----	TEZA
	19720-ZOH-810ZB	*T91*.....HUSQVARNA ORANGE	1	-----	TEZR
2	90015-ZOH-003	BOLT, TOP COVER	1	-----	
3	17244-Z6J-800	DUCT, HOT AIR	1	-----	TESC
4	19720-Z3E-810	COVER COMP., TOP	1	-----	TESC
5	93913-24120	SCREW, TAPPING, 4X10	1	-----	TESC





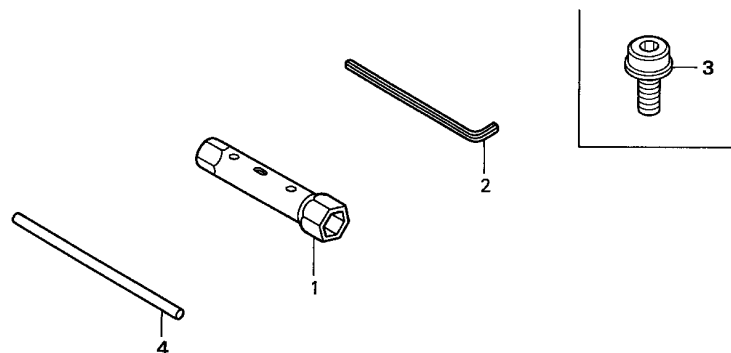
Ref. L.O.N. (Relative ref. Number) F.R.T.
No. Description

NO INFORMATION

Ref. No.	Part No.	Description	Reqd. QTY	Serial No.	Parts catalogue code
			GX 25 T		
1	87114-ZH7-840	LABEL, WARNING	1	-----	S4,SGT3,SGT9,ST3E,ST4,TEZE,TEZL
	87114-ZH7-810	(NOT CERTIFIED FOR SALE)	1	-----	SATM,WAU
	87114-ZH7-000	1	-----	SD,SD2,SD2T,SDM,SDM1,SDT,SJ,SJD,SJS,SJT,SK,SKB,SKN,SKT,SMY,TD,TJ,WD,WJ
2	87520-ZH8-000	MARK A, COMBINATION(JAPANESE)	(1)	-----	TJ,WAU,WJ
3	87521-Z3E-010	MARK, EMBLEM	1	-----	S4,SD2,SD2T,SGT3,SKB,ST3E,ST4,WAU
	87521-Z3E-801	1	-----	TEZC,TEZL
	87521-Z3E-800	1	1030579	TEZ
	87521-Z3E-000	1	1236700	SATM,SAU,SAUT,SD,SDM,SDM1,SDT,SJ,SJD,SJS,SJT,SK,SKN,SKT,SUT,TD,TJ,WD,WJ
	87521-Z3E-801	1	1030580	TEZ
	87521-Z3E-010	1	1236701	SATM,SAU,SAUT,SD,SDM,SDM1,SDT,SJ,SJD,SJS,SJT,SK,SKN,SKT,SUT,TD,TJ,WD,WJ
4	87521-Z3E-801	MARK, EMBLEM	1	-----	TEZE
	87521-Z3E-800	1	-----	TEZR
5	87526-ZH8-000	MARK B, COMBINATION(JAPANESE)	(1)	-----	TJ,WAU,WJ
6	87531-YE9-000	MARK, OIL CAUTION	(1)	-----	TD,TEZC,TEZ,TEZA,TEZE,TEZL,TEZR,TJ,WAU,WD,WJ
7	87531-ZOH-000	MARK, HONDA	1	-----	SATM,SAU,SAUT,SD,SD2,SD2T,SDM,SDM1,SDT,SJ,SJD,SJS,SJT,SK,SKB,SKT,SUT
8	87532-ZM3-600	MARK, THROTTLE INDICATION	1	-----	WAU,WD,WJ
9	87601-Z3E-860	MARK, TYPE(S4)	1	-----	S4
	87601-ZOH-V20	MARK, TYPE(SATM)	1	-----	SATM
	87601-ZOH-870	MARK, TYPE(SAU)	1	-----	SAU
	87601-ZOH-880	MARK, TYPE(SAUT)	1	-----	SAUT
	87601-ZOH-890	MARK, TYPE(SD)	1	-----	SD
	87601-Z3E-840	MARK, TYPE(SD2)	1	-----	SD2
	87601-Z3F-830	MARK, TYPE(SD2T)	1	-----	SD2T
	87601-ZOH-U60	MARK, TYPE(SDM)	1	-----	SDM
	87601-Z3E-810	MARK, TYPE(SDM1)	1	-----	SDM1
	87601-ZOH-900	MARK, TYPE(SDT)	1	-----	SDT
	87601-Z4A-820	MARK, TYPE(SGT3)	1	-----	SGT3

Ref. No.	Part No.	Description	Reqd. QTY		Serial No.	Parts catalogue code
			GX 25 T			
(9)	87601-Z4A-850	MARK, TYPE(SGT9)	1	-----	-----	SGT9
	87601-Z0H-800	MARK, TYPE(SJ)	1	-----	-----	SJ
	87601-Z0H-970	MARK, TYPE(SJD)	1	-----	-----	SJD
	87601-Z0H-940	MARK, TYPE(SJS)	1	-----	-----	SJS
	87601-Z0H-810	MARK, TYPE(SJT)	1	-----	-----	SJT
	87601-Z3E-800	MARK, TYPE(SK)	1	-----	-----	SK
	87601-Z3E-U10	MARK, TYPE(SKB)	1	-----	-----	SKB
	87601-Z0H-960	MARK, TYPE(SKN)	1	-----	-----	SKN
	87601-Z3E-820	MARK, TYPE(SKT)	1	-----	-----	SKT
	87601-Z0H-910	MARK, TYPE(SMY)	1	-----	-----	SMY
	87601-Z4A-860	MARK, TYPE(ST3E)	1	-----	-----	ST3E
	87601-Z3E-870	MARK, TYPE(ST4)	1	-----	-----	ST4
	87601-Z0H-950	MARK, TYPE(SUT)	1	-----	-----	SUT
	87601-Z0H-770	MARK, TYPE(TD)	1	-----	-----	TD
	87601-Z3E-850	MARK, TYPE(TESC)	1	-----	-----	TESC
	87601-Z0H-610	MARK, TYPE(TEZ)	1	-----	-----	TEZ
	87601-Z3E-V70	MARK, TYPE(TEZA)	1	-----	-----	TEZA
	87601-Z3E-V50	MARK, TYPE(TEZE)	1	-----	-----	TEZE
	87601-Z3E-V90	MARK, TYPE(TEZL)	1	-----	-----	TEZL
	87601-Z0H-620	MARK, TYPE(TEZR)	1	-----	-----	TEZR
	87601-Z0H-740	MARK, TYPE(TJ)	1	-----	-----	TJ
	87601-Z3E-V80	MARK, TYPE(WAU)	1	-----	-----	WAU
	87601-Z0H-730	MARK, TYPE(WD)	1	-----	-----	WD
	87601-Z0H-700	MARK, TYPE(WJ)	1	-----	-----	WJ
11	87660-Z0H-000	MARK(4-STROKE)	1	-----	-----	S4, SATM, SAU, SAUT, SD, SD2, SD2T, SDM, SDM1, SDT, SGT3, SJ, SJD, SJS, SJT, SK, SKB, SKN SKT, SMY, ST3E, ST4, WAU, WD, WJ
	87660-Z0H-J00	1	-----	-----	SUT
12	87538-Z3E-810	LABEL, OPERATOR NOTICE	1	-----	-----	TESC
13	87519-Z6J-000	MARK, OPERATOR CAUTION (PICTOGRAPH)	1	-----	-----	S4, SGT3, SGT9, SKB, ST3E, ST4



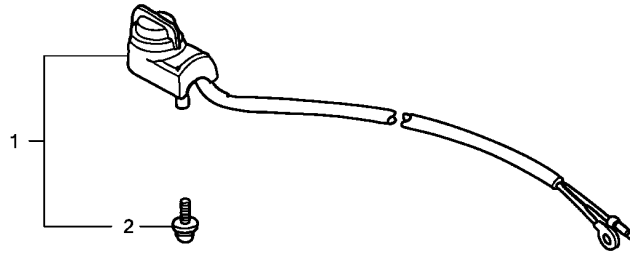


Z3E0-E2900

Ref. L.O.N. (Relative ref. Number) F.R.T.
No. Description

NO INFORMATION

Ref. No.	Part No.	Description	Reqd. QTY	Serial No.	Parts catalogue code
			GX 25 T		
1	89216-VJ3-J10	WRENCH, PLUG(16X19)	(1)	-----	HAT,HET,HUT,S4,SATM,SAU,SAUT,SD,SD2,SD2T,SDM,SDM1,SDT,SGT3,SGT9,SJ,SJD SJS,SJT,SK,SKN,SKT,SMY,ST3E,ST4,SUT,TD,TEZ,TEZL,TEZR,TJ WAU,WD,WJ
2	89221-KW3-000	WRENCH, HEX., 4MM	(1)	-----	HAT,HET,HUT,S4,SATM,SAU,SAUT,SD,SD2,SD2T,SDM,SDM1,SDT,SGT3,SGT9,SJ,SJD SJS,SJT,SK,SKN,SKT,SMY,ST3E,ST4,SUT,TD,TEZ,TEZL,TEZR,TJ WAU,WD,WJ
3	90011-Z0H-811	BOLT, SOCKET, 5X9	(1)	-----	HAT,HET,HUT,S4,SATM,SAU,SAUT,SD,SD2,SD2T,SDT,SGT3,SGT9,SJ,SJD,SJS,SJT,SK SKN,SKT,SMY,ST3E,ST4,TD,TEZ,TEZL,TEZR,TJ
4	99005-01000	BAR A, HANDLE	1 (1)	-----	SUT HAT,HET,HUT,S4,SATM,SAU,SAUT,SD,SD2,SD2T,SDM,SDM1,SDT,SGT3,SGT9,SJ,SJD SJS,SJT,SK,SKN,SKT,SMY,ST3E,ST4,SUT,TD,TEZ,TEZL,TEZR,TJ WAU,WD,WJ



Z3E0E4000

Ref. No.	L.O.N.	(Relative ref. Number) Description	F.R.T.
----------	--------	------------------------------------	--------

NO INFORMATION

Ref. No.	Part No.	Description	Reqd. QTY		Serial No.	Parts catalogue code
			GX	T		
1	35120-746-C21	SWITCH ASSY., ENGINE STOP ...	1		-----	TESC,TEZA,TEZE
			1	1046469	-----	TEZ,TEZR
2	90105-733-D61	BOLT, 3X12(SEMS)	1		-----	TESC,TEZA,TEZE
			1	1046469	-----	TEZ,TEZR



PART NO. INDEX

F 1

Part Number	Address	Page	Ref.	Part Number	Address	Page	Ref.	Part Number	Address	Page	Ref.	Part Number	Address	Page	Ref.
10000				16018-ZM3-802	D9	26	7	17231-ZOH-010	D11	28	4	19720-ZOH-810ZC	E2	35	1
				16019-ZM3-004	D9	26	8	17231-ZOH-801	D12	29	4	19720-ZOH-810ZD	E2	35	1
10100-Z3E-405	D1	18	1	16020-ZM3-004	D9	26	9	17231-ZOH-810	D12	29	4	19720-ZOH-V00ZA	E2	35	1
				16021-Z3F-J42	D9	26	10	17231-ZOH-V00ZA	D11	28	4	19720-Z3E-810	E2	35	4
				16021-ZM3-004	D9	26	10	17241-Z6J-800	D12	29	10				
12000				16022-ZM3-014	D9	26	11	17242-Z6J-800	D12	29	11	22000			
12209-Z3E-000	D4	21	1	16023-ZM3-004	D9	26	12	17244-Z6J-800	E2	35	3				
12209-Z3E-003	D4	21	1	16024-ZOH-003	D9	26	13	17504-ZM3-003	D14	31	1	22000-ZOH-801	D8	25	3
12310-ZOH-010	D1	18	2	16025-ZM3-004	D9	26	14	17511-ZOH-023	D14	31	2	22000-ZOH-811	D8	25	3
12312-ZOH-300	D1	18	3	16026-ZM3-004	D9	26	15	17511-ZOH-305	D14	31	2	22000-ZOH-U61	D8	25	3
12314-ZOH-300	D1	18	4	16027-ZM3-004	D9	26	16	17511-ZOH-823	D14	31	3	22000-ZM3-003	D8	25	3
12367-ZOH-000	D1	18	5	16028-ZM3-004	D9	26	17	17511-Z6J-003	D14	31	2	22253-Z3E-000	D8	25	4
				16029-ZM3-004	D9	26	18	17511-Z6J-830	D14	31	2	22253-Z3E-U60	D8	25	4
				16030-ZM3-004	D9	26	19	17519-ZM5-003	D14	31	4	22254-Z3E-000	D8	25	5
13000				16031-ZM3-004	D9	26	20	17533-ZOH-000	D14	31	5	22254-Z3E-U60	D8	25	5
13010-ZOH-000	D3	20	1	16032-ZM3-004	D10	27	21	17555-ZOH-010	D14	31	7	22255-Z3E-000	D8	25	6
13101-ZOH-000	D3	20	2	16035-ZM3-802	D10	27	22	17555-ZOH-V00ZA	D14	31	6	22255-Z3E-U60	D8	25	6
13101-ZOH-010	D3	20	2	16100-ZOH-043	D10	27	23	17620-ZM3-063	D14	31	8				
13111-ZOH-000	D3	20	3	16100-ZOH-053	D10	27	23	17620-ZM3-817	D14	31	9	28000			
13310-ZOH-020	D3	20	4	16100-ZOH-804	D10	27	23	17672-ZOH-003	D14	31	10				
13310-ZOH-030	D3	20	4	16100-ZOH-814	D10	27	23	17701-ZOH-003	D14	31	11	28400-ZOH-003	D5	22	1
13310-ZOH-305	D3	20	7	16100-ZOH-833	D10	27	23	17701-ZOH-820	D14	31	12	28400-ZOH-801	D5	22	1
13310-ZOH-306	D3	20	7	16100-ZOH-854	D10	27	23	17701-ZOH-821	D14	31	12	28400-ZOH-V01ZA	D7	24	1
13310-ZOH-802	D3	20	4	16100-ZOH-862	D10	27	23	17702-ZOH-003	D14	31	13	28414-ZOH-003	D5	22	2
				16100-ZOH-692	D10	27	23	17702-ZOH-820	D15	32	14	28414-ZOH-801	D5	22	3
				16100-ZOH-693	D10	27	23	17702-ZOH-821	D14	31	14	28414-ZOH-V00ZA	D7	24	2
14000				16100-Z3E-D02	D10	27	23	17702-ZOH-821	D14	31	14	28421-ZOH-003	D5	22	4
14126-ZOH-003	D4	21	2	16221-ZOH-000	D10	27	25	17702-Z3E-D01	D14	31	13	28433-ZM3-003	D5	22	5
14320-ZOH-010	D4	21	3	16221-ZOH-V00	D10	27	25	17703-ZOH-820	D15	32	15	28442-ZOH-003	D5	22	6
14400-ZOH-003	D4	21	4	16221-ZM3-000	D10	27	24	17703-ZOH-821	D15	32	15	28451-ZOH-003	D5	22	7
14400-Z3E-003	D4	21	4	16222-ZOH-800	D10	27	26	17841-ZOH-800	E1	34	8	28459-ZOH-003	D5	22	8
14431-ZOH-003	D1	18	6	16500-ZOH-801	E1	34	1	18000				28461-ZOH-V01	D7	24	7
14441-ZOH-003	D1	18	7	16571-892-000	E1	34	3	18310-ZOH-000	D13	30	1	28461-ZM3-003	D5	22	9
14711-ZOH-800	D4	21	5	16571-ZOH-800	E1	34	2	18310-ZOH-800	D13	30	2	28462-ZM3-003	D5	22	10
14721-ZOH-800	D4	21	6	16574-ZE1-000	E1	34	4	18310-ZOH-820	D13	30	3	28475-ZOH-V01	D7	24	14
14730-ZOH-000	D1	18	8	16575-ZH8-000	E1	34	5	18310-ZOH-840	D13	30	3	30000			
14740-ZOH-000	D1	18	9	16578-ZE1-000	E1	34	6	18310-ZOH-850	D13	30	3	30500-ZOH-801	D16	33	1
14751-ZOH-000	D4	21	7	16580-ZOH-800	E1	34	7	18350-ZOH-800	D13	30	4	30500-Z3E-013	D16	33	1
14771-ZOH-000	D4	21	8	16731-ZE2-003	D12	29	6	18350-ZOH-820	D13	30	5	30701-883-000	E1	34	9
				16865-Z6J-000	D15	32	22	18354-ZOH-800	D13	30	6				
15000								18366-ZOH-820	D13	30	7	31000			
15422-ZOH-000	D1	18	10	17000				18510-ZOH-800	D13	30	8	31110-ZOH-821	D16	33	2
15510-Z3E-000	D1	18	11					18515-ZOH-000	D13	30	8	31110-Z3E-003	D16	33	2
15600-ZOT-800	D1	18	12	17204-ZOH-000	D11	28	1					31110-Z3E-811	D16	33	2
15625-ZOT-800	D1	18	13	17204-ZOH-800	D12	29	1	19610-ZOH-801	D8	25	1	31110-ZOH-003	D1	18	15
15721-ZOH-000	D1	18	14	17211-ZOH-000	D11	28	2	19611-ZOH-000	D8	25	2	31914-ZOH-801	D1	18	15
15721-ZOH-800	D1	18	14					19631-ZOH-000	D10	27	27	31915-ZOH-801	D1	18	15
15721-ZOH-820	D1	18	14	17211-ZOH-800	D12	29	2	19632-ZOH-800	D10	27	28	31915-ZOH-003	D1	18	15
				17211-ZOH-V00	D11	28	2	19720-ZOH-000ZB	E2	35	1	31916-ZOH-801	D1	18	15
16000				17220-ZOH-000	D11	28	3	19720-ZOH-000ZC	E2	35	1				
16010-ZM3-004	D9	26	1	17220-ZOH-010	D11	28	3	19720-ZOH-000ZD	E2	35	1	31916-ZOH-003	D1	18	15
16011-ZOH-013	D9	26	2					19720-ZOH-810ZA	E2	35	1	31916-ZOH-801	D1	18	15
16013-ZOH-003	D9	26	3	17220-ZOH-802	D12	29	3	19720-ZOH-810ZB	E2	35	1				
16014-ZM3-004	D9	26	4	17220-ZOH-810	D12	29	3								
16015-ZOH-013	D9	26	5	17220-ZOH-V00ZA	D11	28	3								
16015-Z3F-J42	D9	26	5	17231-ZOH-000	D11	28	4								
16017-ZM3-004	D9	26	6												

PART NO. INDEX

F 2

Part Number	Address	Page	Ref.	Part Number	Address	Page	Ref.	Part Number	Address	Page	Ref.	Part Number	Address	Page	Ref.
87601-Z3E-840	E3	36	9	91212-Z3E-000	D3	20	6								
87601-Z3E-850	E4	37	9	91212-Z3E-003	D3	20	6								
87601-Z3E-860	E3	36	9	91301-ZM3-000	D10	27	31								
87601-Z3E-870	E4	37	9	91308-Z3E-000	D10	27	32								
87601-Z3E-U10	E4	37	9	91401-ZM3-003	D15	32	19								
87601-Z3E-V50	E4	37	9	91501-Z0H-000	D15	32	20								
87601-Z3E-V70	E4	37	9	91501-Z3E-A20	D10	27	34								
87601-Z3E-V80	E4	37	9	91504-ZM3-003	D6	23	14								
87601-Z3E-V90	E4	37	9		D7	24	12								
87601-Z3F-830	E3	36	9	91506-ZM3-000	D6	23	15								
87601-Z4A-820	E3	36	9		D7	24	13								
87601-Z4A-850	E4	37	9		D15	32	21								
87601-Z4A-860	E4	37	9												
87660-Z0H-000	E4	37	11	93000											
87660-Z0H-J00	E4	37	11												
				93500-03025-0A	D10	27	35								
89000				93500-05025-0A	E1	34	13								
				93901-22010	D13	30	13								
89216-VJ3-J10	E5	38	1	93901-34320	D2	19	22								
89221-KW3-000	E5	38	2	93913-24120	E2	35	5								
				94000											
90001-Z0H-003	D13	30	9	94050-05000	D11	28	5								
90009-Z0H-003	D2	19	16		D12	29	5								
	D7	24	9	94251-06000	D13	30	14								
	D8	25	8	94305-40102	D2	19	23								
90010-Z0H-003	D2	19	17												
	D15	32	17	95000											
90011-Z0H-003	D13	30	10												
90011-Z0H-801	E1	34	11	95002-41200-08	D2	19	24								
90011-Z0H-811	E5	38	3	95002-41300-04	D2	19	25								
90012-Z0H-005	D16	33	5												
90012-Z3E-003	D16	33	5	96000											
90012-ZM3-003	D5	22	11												
	D7	24	10	96001-06022-00	D8	25	9								
90013-Z0H-004	D2	19	18	96150-60010-10	D8	25	10								
90013-Z3E-003	D2	19	18												
90014-Z0H-003	D10	27	29	99000											
90014-Z0H-801	D10	27	29												
90015-Z0H-003	E2	35	2	99005-01000	E5	38	4								
90017-Z0H-000	D2	19	19	99101-Z0H-0320	D10	27	33								
90018-Z0H-003	D5	22	12	99101-ZM5-0330	D10	27	33								
	D7	24	11	99101-ZM5-0340	D10	27	33								
	D10	27	30	99101-ZM5-0350	D10	27	33								
	D15	32	18												
90019-Z0H-003	D2	19	20												
90043-Z0H-000	D5	22	13												
90055-ZE1-000	D13	30	11												
90105-733-D61	E6	39	2												
90114-SA0-000	E1	34	12												
90136-SM4-901	D13	30	12												
90206-ZM3-000	D2	19	21												
90355-427-770	D16	33	6												
				91000											
91211-Z3E-000	D3	20	5												
91211-Z3E-003	D3	20	5												

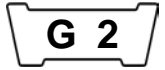
3

PART NAME INDEX

G 1

Part name	Address	Page	Ref.	Part name	Address	Page	Ref.	Part name	Address	Page	Ref.
[A]				COLLAR	D6	23	14	[J]			
ARM, EX. VALVE ROCKER	D1	18	7	COLLAR A, HEAD COVER	D7	24	12	JET	D10	27	33
ARM, IN. VALVE ROCKER	D1	18	6	COLLAR, RR. MUDGUARD	D15	32	21	JOINT, HOT AIR	D12	29	11
ARM, SWING	D5	22	8	COLLAR, 5.75X17	D10	27	34	[K]			
ARRESTER COMP., SPARK	D7	24	6	COLLAR, RR. MUDGUARD	D15	32	16	KNOB, RECOIL STARTER	D5	22	9
	D13	30	4	COLLAR, TANK GUARD	D15	32	20		D7	24	7
			5	CONTROL ASSY.	E1	34	1	[L]			
[B]				CORD, STOP SWITCH	D16	33	3	LABEL, OPERATOR NOTICE	E4	37	12
BAR A, HANDLE	E5	38	4	COVER COMP., FAN	D8	25	1	LABEL, WARNING	E3	36	1
BASE COMP., CONTROL	E1	34	7	COVER COMP., TOP	E2	35	1	LEVER, CONTROL	E1	34	2
BEARING, RADIAL BALL, 6001UU ..	D8	25	10	COVER, AIR CLEANER	D11	28	4	LEVER, METERING	D9	26	12
BELT, TIMING	D4	21	4		D12	29	4	LIFTER COMP., EX. VALVE	D1	18	9
BODY ASSY., AIR PURGE	D9	26	6	COVER, CYLINDER HEAD	D1	18	2	LIFTER COMP., IN. VALVE	D1	18	8
BODY ASSY., PUMP	D9	26	5	COVER, FAN	D8	25	2	[M]			
BOLT, 3X12	E6	39	2	COVER, PRIMER PUMP	D9	26	15	MARK	E4	37	11
BOLT, 5X53	D10	27	29	CRANKCASE SET	D1	18	1	MARK A, COMBINATION	E3	36	2
BOLT, 5X59	D10	27	29	CRANKSHAFT COMP.	D3	20	4	MARK B, COMBINATION	E3	36	5
BOLT, CLUTCH	D8	25	4	[D]				MARK, EMBLEM	E3	36	3
BOLT, FLANGE, 6X22	D8	25	9	DIAPHRAGM ASSY., METERING	D9	26	3	MARK, HONDA	E3	36	7
BOLT, SOCKET, 4X14	D16	33	5	DIAPHRAGM, PUMP	D9	26	4	MARK, OIL CAUTION	E3	36	6
BOLT, SOCKET, 5X10	D13	30	10	DUCT, HOT AIR	E2	35	3	MARK, OPERATOR CAUTION	E4	37	13
	E1	34	11	[E]				MARK, THROTTLE INDICATION	E3	36	8
BOLT, SOCKET, 5X12	D2	19	20	ELEMENT, AIR CLEANER	D11	28	2	MARK, TYPE	E3	36	9
BOLT, SOCKET, 5X16	D5	22	12		D12	29	2	MUFFLER COMP.	E4	37	9
	D7	24	11	[F]					D13	30	1
	D10	27	30	FILTER, BREATHER	D1	18	5				3
	D15	32	18	FILTER, EXHAUST	D13	30	6	[N]			
BOLT, SOCKET, 5X20	D2	19	16	FILTER, FUEL	D14	31	10	NUT, FLANGE, 5MM	D11	28	5
	D7	24	9	FILTER, FUEL INLET	D10	27	22	NUT, FLANGE, 7MM	D12	29	5
	D8	25	8	FITTING	D14	31	4	NUT, FLANGE, 7MM	D16	33	6
BOLT, SOCKET, 5X30	D2	19	17	FLANGE, BAFFLE	D13	30	7	NUT, SELF-LOCK, 5MM	D13	30	12
	D15	32	17	FLYWHEEL COMP.	D16	33	2	NUT, SELF-LOCK, 6MM	E1	34	12
BOLT, SOCKET, 5X9	E5	38	3	[G]				NUT, TAPPET ADJUSTING	D2	19	21
BOLT, STUD, 2.5X42	D13	30	9	GASKET, METERING DIAPHRAGM	D9	26	1	[O]			
BOLT, STUD, B	D5	22	13	GASKET, PUMP	D9	26	2	OIL SEAL, 10X20X5	D3	20	6
BOLT, TOP COVER	E2	35	2	GROMMET, FUEL TUBE	D14	31	1	OIL SEAL, 12X24X5	D3	20	5
[C]				GROMMET, HEAD COVER	D1	18	4	O-RING	D9	26	14
CAP ASSY., FUEL TANK	D14	31	8	GUARD COMP., TANK	D14	31	6	O-RING, 12.3X2.4	D10	27	32
			9	GUARD, TANK	D14	31	7	O-RING, 14.8X2.4	D10	27	31
CAP ASSY., OIL FILLER	D1	18	12	GUIDE COMP., AIR EX.	D13	30	8	[P]			
CARBURETOR ASSY.	D10	27	23	GUIDE, AIR EX.	D13	30	8	PACKING, CARBURETOR	D10	27	24
CASE COMP., AIR CLEANER	D11	28	3	GUIDE, ROPE	D5	22	5	PACKING, OIL FILLER CAP	D1	18	13
	D12	29	3	[H]				PACKING, SHROUD	D10	27	26
			8	GASKET, METERING DIAPHRAGM	D9	26	1	[I]			
CASE, RECOIL STARTER	D5	22	2	GASKET, PUMP	D9	26	2	[Q]			
			3	GROMMET, FUEL TUBE	D14	31	1	[R]			
			2	GROMMET, HEAD COVER	D1	18	4	[S]			
CLAMP, TUBE	D2	19	24	GUARD COMP., TANK	D14	31	6	[T]			
			25	GUARD, TANK	D14	31	7	[U]			
CLIP, HIGH TENSION CORD	E1	34	9	GUIDE COMP., AIR EX.	D13	30	8	[V]			
CLIP, TUBE	D12	29	6	GUIDE, AIR EX.	D13	30	8	[W]			
	D15	32	19	GUIDE, ROPE	D5	22	5	[X]			
CLUTCH ASSY.	D8	25	3	[Y]				[Z]			
COIL ASSY., IGNITION	D16	35	1	[Z]				[AA]			

PART NAME INDEX



Part name	Address	Page	Ref.	Part name	Address	Page	Ref.	Part name	Address	Page	Ref.
PIN, LOCK, 6MM	D13	30	14	STARTER ASSY., RECOIL	D5	22	1				
PIN, METERING LEVER	D9	26	11		D7	24	1				
PIN, PISTON	D3	20	3	SWITCH ASSY., ENGINE STOP	E1	34	10				
PIN, SPRING, 4X10	D2	19	23		E6	39	1				
PISTON	D3	20	2	SWIVEL	D9	26	16				
PLATE ASSY., OIL OUTLET VALVE	D1	18	11								
PLATE, OIL TRAP	D11	28	1	[T]							
	D12	29	1								
PLUG, SPARK	D1	18	15	TANK, FUEL	D14	31	2				
	D2	19	15				3				
PROTECTOR, TUBE	D15	32	22	TUBE A, FUEL	D15	32	15				
			23	TUBE, BREATHER	D1	18	14				
PULLEY COMP., CAMSHAFT	D4	21	3	TUBE, FUEL RETURN	D14	31	13				
PULLEY, RECOIL STARTER	D5	22	7				14				
	D7	24	5		D15	32	14				
PUMP, PRIMER	D10	27	21	TUBE, FUEL TANK	D14	31	11				
							12				
[R]				TUBE, HOT AIR	D12	29	10				
REEL, RECOIL STARTER	D5	22	4	TUBE, OIL	D1	18	10				
	D7	24	3								
RETAINER, VALVE SPRING	D4	21	8	[V]							
RING SET, PISTON	D3	20	1	VALVE, EX.	D4	21	6				
RING, RETAINING	D9	26	13	VALVE, INLET NEEDLE	D9	26	8				
ROD, THROTTLE	E1	34	8	VALVE, IN.	D4	21	5				
ROLLER, 4X29.8	D4	21	2								
ROPE, RECOIL STARTER	D5	22	10	[W]							
	D7	24	8	WASHER	D9	26	20				
RUBBER, TANK MOUNTING	D14	31	5	WASHER, CLUTCH	D8	25	5				
				WASHER, CONTROL LEVER	E1	34	5				
[S]				WASHER, WAVE	D8	25	6				
SCREEN, INLET	D9	26	7	WRENCH, HEX., 4MM	E5	38	2				
SCREW, METERING LEVER PIN	D9	26	10	WRENCH, PLUG	E5	38	1				
SCREW, PAN, 3X25	D10	27	35								
SCREW, PAN, 4X8	D2	19	18								
SCREW, PAN, 5X25	E1	34	13								
SCREW, PUMP COVER	D9	26	18								
SCREW, SETTING	D5	22	11								
	D7	24	10								
SCREW, TAPPET ADJUSTING	D2	19	19								
SCREW, TAPPING, 3X6	D13	30	13								
SCREW, TAPPING, 4X10	E2	35	5								
SCREW, TAPPING, 4X12	D2	19	22								
SCREW, TAPPING, 4X6	D13	30	11								
SCREW, THROTTLE COLLAR	D9	26	17								
SEAL, HEAD COVER	D1	18	3								
SEAL, VALVE STEM	D4	21	1								
SHAFT COMP., P.T.O.	D8	25	7								
SHROUD	D10	27	27								
SPACER, CONTROL LEVER	E1	34	6								
SPACER, SHROUD	D10	27	28								
SPRING, CONTROL ADJUSTING	E1	34	3								
SPRING, LEVER	E1	34	4								
SPRING, METERING LEVER	D9	26	9								
SPRING, PUMP	D9	26	19								
SPRING, RECOIL STARTER	D5	22	6								
	D7	24	4								
SPRING, VALVE	D4	21	7								



1

FOREWORD INDEX

2

ENGINE GROUP

3

PART NUMBER INDEX

4

PART NAME INDEX

HONDA
The Power of Dreams



PARTS CATALOGUE NEWS

Honda Motor Co., Ltd.
Customer Service Technology Development Division

Printed in Japan

CODE NO.	13Z3E602
PARTS CATALOGUE NEWS	GX25T
NEWS NO.	001

GX25T-SDC,W3C TYPES sales parts information

NOTE: This Parts Catalogue News explains only the parts of the different model that are produced to conform to addition of the GX25T-SDC,W3C types.

As for the parts not listed on this Parts Catalogue News, use the parts of the GX25T-SDT types.

- Models, parts catalogue codes and applicable serial numbers

Model	Type		Parts catalogue type	Applicable engine serial No.	Applicable carburetor identification No.
GX25T	SDT	Base type	SDT	GCALT-1000001~	WYB 8A
	SDC	Additional type	SDC		WYB 6F
	W3C		W3C		WYB 35

NOTE A:PART NO. CHANGE D:NEWLY PROVIDED E:PART NO.DELETION K:REQUIRED NO. CORRECTION L:APPLICATION SERIAL NO. CORRECTION
T:APPLICATION CORRECTION Z:REMARKS CHANGE

• Features of each type		Base type	Additional type	
Specifications	Model	GX25T		
	Type	SDT	SDC	W3C
Clutch		●	●	
P.T.O. shaft				●
Spark arrester				●
Tank guard		●		
Engine stop switch				●

PARTS CATALOGUE NEWS

BOOKNo. : 13Z3E602

Block No.	Ref. No.	Part No.	Description	Reqd. QTY	Base Part No.	Parts catalogue code
				GX 25 T		
E-2	14	15721-Z0H-800	TUBE, BREATHER.....	1	15721-Z0H-000	W3C
E-7	2	13101-Z0H-010	PISTON.....	1	13101-Z0H-000	SDC, W3C
	4	13310-Z0H-030	CRANKSHAFT COMP.....	1	13310-Z0H-020	SDC
		13310-Z0H-802	CRANKSHAFT COMP.....	1	13310-Z0H-020	W3C
E-10	4	14400-Z3E-013	BELT, TIMING (71ZU5 G-310).....	1	14400-Z3E-003	SDC, W3C
E-11	12	90018-Z0H-003	BOLT, SOCKET, 5X16.....	3		SDC, W3C
E-12	1	19610-Z0H-801	COVER COMP., FAN.....	1		W3C
	2		COVER, FAN.....	0	19611-Z0H-000	W3C
	3		CLUTCH ASSY.....	0	22000-ZM3-003	W3C
	4		BOLT, CLUTCH (6MM).....	0	22253-Z3E-000	W3C
	5		WASHER, CLUTCH (6X15).....	0	22254-Z3E-000	W3C
	6		WASHER, WAVE (8MM).....	0	22255-Z3E-000	W3C
	7	40210-Z0H-800	SHAFT COMP., P. T. O.....	1		W3C
	9	96001-06022-00	BOLT, FLANGE, 6X22.....	2		W3C
	10	96150-60010-10	BEARING, RADIAL BALL, 6001UU..	1		W3C
E-14	5	16015-Z6J-003	BODY ASSY., PUMP.....	1	16015-Z0H-013	W3C
	23	16100-Z0H-053	CARBURETOR ASSY. (WYB 6F).....	1	16100-Z0H-814	SDC
		16100-Z6J-801	CARBURETOR ASSY. (WYB 35).....	1	16100-Z0H-814	W3C
	24	16221-ZM3-000	PACKING, CARBURETOR.....	1		W3C
	25		PACKING, CARBURETOR.....	0	16221-Z0H-000	W3C
	26	16222-Z0H-800	PACKING, SHROUD.....	1		W3C
	28	19632-Z0H-800	SPACER, SHROUD.....	1		W3C
	29	90014-Z0H-801	BOLT, 5X59.....	2	90014-Z0H-003	W3C

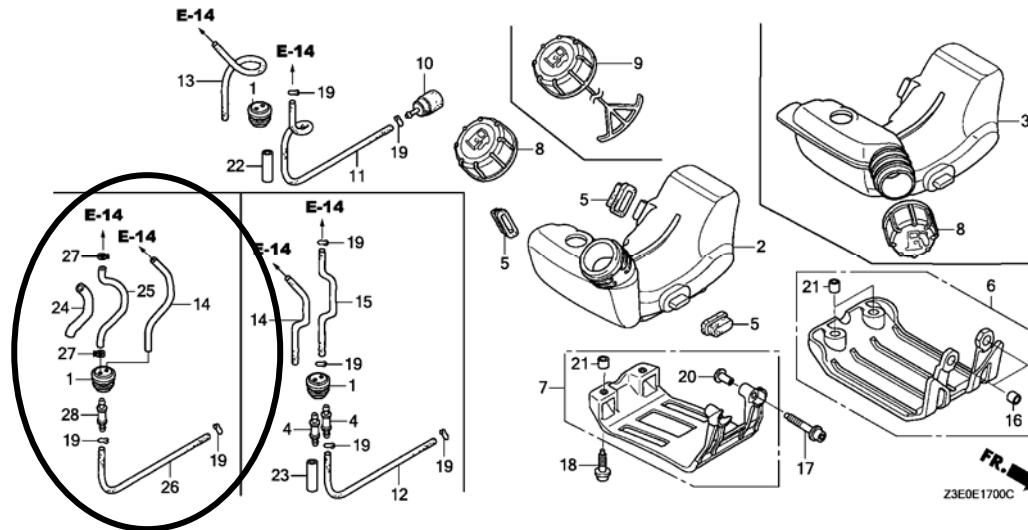
NOTE A:PART NO. CHANGE D:NEWLY PROVIDED E:PART NO.DELETION K:REQUIRED NO. CORRECTION L:APPLICATION SERIAL NO. CORRECTION
T:APPLICATION CORRECTION Z:REMARKS CHANGE

PARTS CATALOGUE NEWS

BOOKNo. : 13Z3E602

Block No.	Ref. No.	Part No.	Description	Reqd. QTY	Base Part No.	Parts catalogue code
	33		JET (#32).....	(0)	99101-Z0H-0320	SDC, W3C
E-15	4	17231-Z0H-010	COVER, AIR CLEANER.....	1	17231-Z0H-000	SDC, W3C
E-16	1		MUFFLER COMP.....	0	18310-Z0H-000	W3C
	2	18310-Z0H-800	MUFFLER COMP.....	1		W3C
	4	18350-Z0H-800	ARRESTER COMP., SPARK.....	1		W3C
	11	90055-ZE1-000	SCREW, TAPPING, 4X6.....	2		W3C

E-17 FUEL TANK



E-17	2	17511-Z6J-830	TANK, FUEL.....	1	17511-Z0H-023	W3C
	7		GUARD, TANK.....	0	17555-Z0H-010	SDC, W3C
	8		CAP ASSY., FUEL TANK.....	0	17620-ZM3-063	W3C
	9	17620-ZM3-817	CAP ASSY., FUEL TANK.....	1		W3C
	11		TUBE, FUEL TANK.....	0	17701-Z0H-003	W3C
	17		BOLT, SOCKET, 5X30.....	0	90010-Z0H-003	SDC, W3C

NOTE A:PART NO. CHANGE D:NEWLY PROVIDED E:PART NO.DELETION K:REQUIRED NO. CORRECTION L:APPLICATION SERIAL NO. CORRECTION
T:APPLICATION CORRECTION Z:REMARKS CHANGE

PARTS CATALOGUE NEWS

BOOKNo. : 13Z3E602

Block No.	Ref. No.	Part No.	Description	Reqd. QTY	Base Part No.	Parts catalogue code
				GX 25 T		
	18		BOLT, SOCKET, 5X16.....	0	90018-Z0H-003	SDC, W3C
	20		COLLAR, TANK GUARD.....	0	91501-Z0H-000	SDC, W3C
	21		COLLAR A, HEAD COVER.....	0	91506-ZM3-000	SDC, W3C
	22		PROTECTOR, TUBE.....	0	16865-Z6J-000	W3C
	24	16865-Z6K-000	PROTECTOR, TUBE.....	1		W3C
	25	17701-Z6J-003	TUBE, FUEL.....	1		W3C
	26	17703-Z0H-J71	TUBE A, FUEL.....	1		W3C
	27	90601-Z6J-003	CLAMP, TUBE.....	2		W3C
	28	17519-Z6J-003	JOINT, FUEL TANK.....	1		W3C
E-19	2	31110-Z3E-811	FLYWHEEL COMP.....	1	31110-Z3E-003	W3C
	3		CORD, STOP SWITCH.....	0	32195-Z0H-000	W3C
	4	32195-Z0H-800	CORD, STOP SWITCH.....	1		W3C
E-22	1	16500-Z0H-801	CONTROL ASSY.....	1		W3C
	2	16571-Z0H-800	LEVER, CONTROL.....	1		W3C
	3	16571-892-000	SPRING, CONTROL ADJUSTING.....	1		W3C
	4	16574-ZE1-000	SPRING, LEVER.....	1		W3C
	5	16575-ZH8-000	WASHER, CONTROL LEVER.....	1		W3C
	6	16578-ZE1-000	SPACER, CONTROL LEVER.....	1		W3C
	7	16580-Z0H-800	BASE COMP., CONTROL.....	1		W3C
	8	17841-Z0H-800	ROD, THROTTLE.....	1		W3C
	9	30701-883-000	CLIP, HIGH TENSION CORD (8MM)...	1		W3C
	10	35120-Z0D-V81	SWITCH ASSY., ENGINE STOP.....	1		W3C
	11	90011-Z0H-801	BOLT, SOCKET, 5X10.....	1		W3C
	12	90114-SA0-000	NUT, SELF-LOCK, 6MM.....	1		W3C

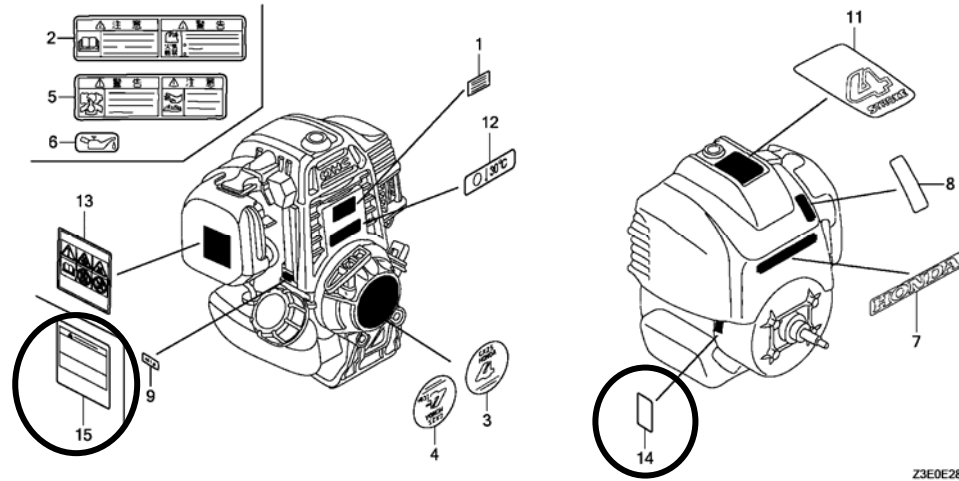
NOTE A:PART NO. CHANGE D:NEWLY PROVIDED E:PART NO.DELETION K:REQUIRED NO. CORRECTION L:APPLICATION SERIAL NO. CORRECTION
T:APPLICATION CORRECTION Z:REMARKS CHANGE

PARTS CATALOGUE NEWS

BOOKNo. : 13Z3E602

Block No.	Ref. No.	Part No.	Description	Reqd. QTY		Base Part No.	Parts catalogue code
				GX	T		
	13	93500-05025-0A	SCREW, PAN, 5X25.....	1		W3C	

E-28 LABEL



Z3E0E2800D

E-28	1		LABEL, WARNING (NOT CERTIFIED FOR SALE)	0		87114-ZH7-000	W3C
	6	87531-YE9-000	MARK, OIL CAUTION.....	1			W3C
	7		MARK, HONDA.....	0		87531-Z0H-000	SDC, W3C
	8	87532-ZH7-000	MARK, THROTTLE INDICATION.....	1			W3C
	9	87601-Z0H-890	MARK, TYPE (SD).....	1		87601-Z0H-900	SDC
		87601-Z4A-840	MARK, TYPE (W3).....	1		87601-Z0H-900	W3C
	13	87519-Z6J-000	MARK, OPERATOR CAUTION (PICTOGRAPH)	1			SDC, W3C
	14	87114-Z3E-000	LABEL, WARNING (NOT CERTIFIED FOR SALE)	1			W3C
	15	87516-Z6J-000	MARK, OPERATOR CAUTION (ENGLISH)	1			W3C

NOTE A:PART NO. CHANGE D:NEWLY PROVIDED E:PART NO.DELETION K:REQUIRED NO. CORRECTION L:APPLICATION SERIAL NO. CORRECTION
T:APPLICATION CORRECTION Z:REMARKS CHANGE

PARTS CATALOGUE NEWS

BOOKNo. : 13Z3E602

Block No.	Ref. No.	Part No.	Description	Reqd. QTY	Base Part No.	Parts catalogue code
				GX 25 T		
		87516-Z6J-800	MARK, OPERATOR CAUTION (FRENCH)	1		W3C
E-29	3		BOLT, SOCKET, 5X9.	(0)	90011-Z0H-811	W3C

NOTE A:PART NO. CHANGE D:NEWLY PROVIDED E:PART NO.DELETION K:REQUIRED NO. CORRECTION L:APPLICATION SERIAL NO. CORRECTION
T:APPLICATION CORRECTION Z:REMARKS CHANGE



PARTS CATALOGUE NEWS

Honda Motor Co., Ltd.
Customer Service Technology Development Division

Printed in Japan

CODE NO.	13Z3E602
PARTS CATALOGUE NEWS	GX25T
NEWS NO.	002

GX25T-TGT9 TYPE sales parts information

NOTE: This Parts Catalogue News explains only the parts of the different model that are produced to conform to addition of the GX25T-TGT9 type.

As for the parts not listed on this Parts Catalogue News, use the parts of the GX25T-SGT9 type.

• Models, parts catalogue codes and applicable serial numbers

Model	Type		Parts catalogue type	Applicable engine serial No.	Applicable carburetor identification No.
GX25T	SGT9	Base type	SGT9	GCALT-1000001~	WYB 6F
	TGT9	Additional type	TGT9		

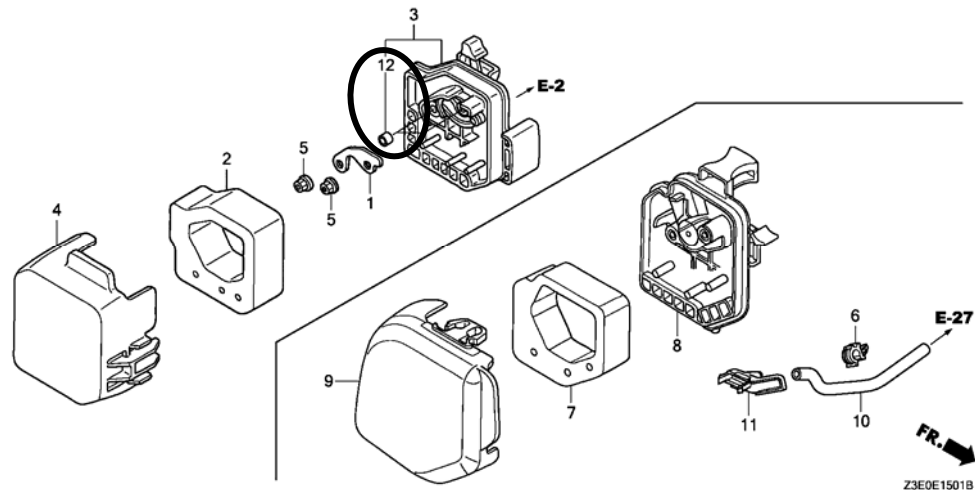
• Features of each type		Base type	Additional type
Specifications	Model	GX25T	
	Type	SGT9	TGT9
Clutch		●	●
P.T.O. shaft			
Spark arrester		●	
Tank guard		●	
Engine stop switch			

PARTS CATALOGUE NEWS

BOOKNo. :13Z3E602

Block No.	Ref. No.	Part No.	Description	Reqd. QTY	Base Part No.	Parts catalogue code
				GX 25 T		
E-2	14	15721-Z0H-820	TUBE, BREATHER.....	1	15721-Z0H-000	TGT9
E-10	4	14400-Z3E-013	BELT, TIMING (71ZU5 G-310).....	1	14400-Z3E-003	TGT9
E-11	1	28400-Z0H-802	STARTER ASSY., RECOIL.....	1	28400-Z0H-003	TGT9
	2		CASE, RECOIL STARTER.....	0	28414-Z0H-003	TGT9
	3	28414-Z0H-802	CASE, RECOIL STARTER.....	1		TGT9
	5	28433-Z0H-801	GUIDE, ROPE.....	1	28433-ZM3-003	TGT9
	12	90018-Z0H-003	BOLT, SOCKET, 5X16.....	3		TGT9
E-15	1		PLATE, OIL TRAP.....	0	17204-Z0H-000	TGT9
	2		ELEMENT, AIR CLEANER.....	0	17211-Z0H-000	TGT9
	3		CASE COMP., AIR CLEANER.....	0	17220-Z0H-010	TGT9
	4		COVER, AIR CLEANER.....	0	17231-Z0H-010	TGT9
	5		NUT, FLANGE, 5MM.....	0	94050-05000	TGT9

E-15-1 AIR CLEANER (2)



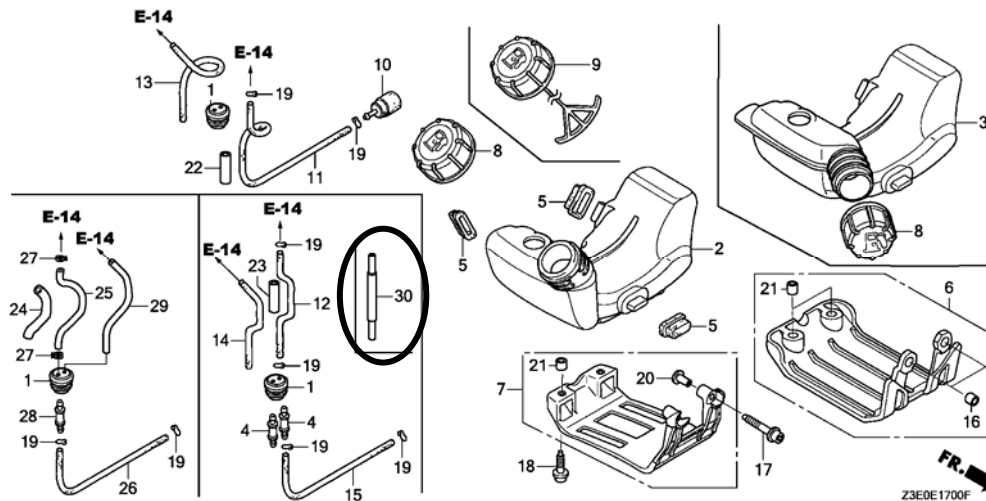
NOTE A:PART NO. CHANGE D:NEWLY PROVIDED E:PART NO.DELETION K:REQUIRED NO. CORRECTION L:APPLICATION SERIAL NO. CORRECTION
M:PART DESCRIPTION CORRECTION T:APPLICATION CORRECTION Z:REMARKS CHANGE

PARTS CATALOGUE NEWS

BOOKNo. :13Z3E602

Block No.	Ref. No.	Part No.	Description	Reqd. QTY		Base Part No.	Parts catalogue code
				GX	T		
E-15-1	1	17204-Z0H-800	PLATE, OIL TRAP.....	1		TGT9	
	2	17211-Z0H-800	ELEMENT, AIR CLEANER.....	1		TGT9	
	3	17220-Z0H-810	CASE COMP., AIR CLEANER.....	1		TGT9	
	4	17231-Z0H-811	COVER, AIR CLEANER.....	1		TGT9	
	5	94050-05000	NUT, FLANGE, 5MM.....	2		TGT9	
	12	91503-ZM3-000	COLLAR, AIR CLEANER.....	2		TGT9	
E-16	2		MUFFLER COMP.....	0	18310-Z0H-800	TGT9	
	3	18310-Z0H-850	MUFFLER COMP.....	1		TGT9	
	4		ARRESTER COMP., SPARK.....	0	18350-Z0H-800	TGT9	
	6	18354-Z0H-800	FILTER, EXHAUST.....	1		TGT9	
	11		SCREW, TAPPING, 4X6.....	0	90055-ZE1-000	TGT9	
	14	94251-06000	PIN, LOCK, 6MM.....	1		TGT9	

E-17 FUEL TANK



NOTE A:PART NO. CHANGE D:NEWLY PROVIDED E:PART NO.DELETION K:REQUIRED NO. CORRECTION L:APPLICATION SERIAL NO. CORRECTION
M:PART DESCRIPTION CORRECTION T:APPLICATION CORRECTION Z:REMARKS CHANGE

PARTS CATALOGUE NEWS

BOOKNo. :13Z3E602

Block No.	Ref. No.	Part No.	Description	Reqd. QTY	Base Part No.	Parts catalogue code
				GX 25 T		
E-17	2		TANK, FUEL.....	0	17511-ZOH-023	TGT9
	3	17511-ZOH-823	TANK, FUEL.....	1		TGT9
	4	17519-ZM5-003	FITTING.....	2		TGT9
	7		GUARD, TANK.....	0	17555-ZOH-010	TGT9
	11		TUBE, FUEL TANK.....	0	17701-ZOH-003	TGT9
	13		TUBE, FUEL RETURN.....	0	17702-ZOH-003	TGT9
	14	17702-ZOH-821	TUBE, FUEL RETURN.....	1		TGT9
	15	17703-ZOH-821	TUBE A, FUEL.....	1		TGT9
	17		BOLT, SOCKET, 5X30.....	0	90010-ZOH-003	TGT9
	18		BOLT, SOCKET, 5X16.....	0	90018-ZOH-003	TGT9
	19	91401-ZM3-003	CLIP, TUBE.....	4		TGT9
	20		COLLAR, TANK GUARD.....	0	91501-ZOH-000	TGT9
	21		COLLAR A, HEAD COVER.....	0	91506-ZM3-000	TGT9
	22		PROTECTOR, TUBE.....	0	16865-Z6J-000	TGT9
	30	17701-ZOH-800	TUBE COMP., FUEL FEED.....	1		TGT9
E-27	1	19720-ZOH-810ZC	COVER COMP., TOP *T100*..... EMAK RED	1	19720-ZOH-000ZD	TGT9
			COVER COMP., TOP *NH1*..... BLACK	0	19720-ZOH-000ZG	TGT9
E-28	9	87601-Z3E-T30	MARK, TYPE (TGT9).....	1	87601-Z4A-850	TGT9

NOTE A:PART NO. CHANGE D:NEWLY PROVIDED E:PART NO.DELETION K:REQUIRED NO. CORRECTION L:APPLICATION SERIAL NO. CORRECTION
M:PART DESCRIPTION CORRECTION T:APPLICATION CORRECTION Z:REMARKS CHANGE



PARTS CATALOGUE NEWS

Honda Motor Co., Ltd.
Customer Service Technology Development Division

PARTS CATALOGUE - CORRECTED

Printed in Japan

CODE NO.	13Z3E602
PARTS CATALOGUE NEWS	GX25T
NEWS NO.	003

Block No.	Ref. No.	Note	Part No.	Description	Reqd. QTY	Serial No.		Parts catalogue code
					GX 25 T			
E-28	9	T	87601-Z0H-890	MARK, TYPE(SD).....	1	-----	-----	SD,
		D	87601-Z3E-880	MARK, TYPE(W3C).....	1	-----	-----	W3C
		D	87601-Z3E-890	MARK, TYPE(SDC).....	1	-----	-----	SDC
		E	87601-Z4A-840	*PART NO. DELETION				

NOTE A:PART NO. CHANGE D:NEWLY PROVIDED E:PART NO. DELETION K:REQUIRED NO. CORRECTION L:APPLICATION SERIAL NO. CORRECTION
M:PART DESCRIPTION CORRECTION T:APPLICATION CORRECTION Z:REMARKS CHANGE



PARTS CATALOGUE NEWS

Honda Motor Co., Ltd.
Customer Service Technology Development Division

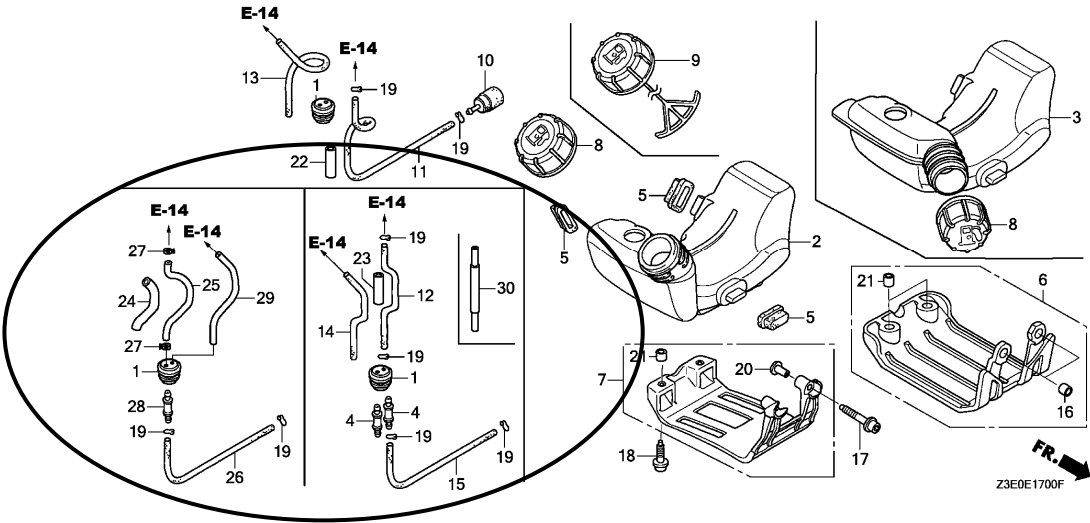
PARTS CATALOGUE - CORRECTED

Printed in Japan

CODE NO.	13Z3E602
PARTS CATALOGUE NEWS	GX25T
NEWS NO.	004

Block No.	Ref. No.	Note	Part No.	Description	Reqd. QTY GX 25 T	Serial No.	Parts catalogue code
-----------	----------	------	----------	-------------	----------------------------	------------	----------------------

E-17 FUEL TANK



E-17	13	T	17702-Z0H-003	TUBE, FUEL RETURN.	1	-----	HAT, HET, HUT, S4, SATM, SAU, SAUT, SD, SD2, SD2T, SDC, SDM, SDM1, SDT, SGT3, SGT9, SJ, SJD, SJS, SJT, SK, SKN, SKT, SMT, ST3E, ST4, SUT, WAU, WD, WJ
	29	D	17702-Z0H-003	TUBE, FUEL RETURN.	1	-----	W3C

NOTE A:PART NO. CHANGE D:NEWLY PROVIDED E:PART NO.DELETION K:REQUIRED NO. CORRECTION L:APPLICATION SERIAL NO. CORRECTION
M:PART DESCRIPTION CORRECTION T:APPLICATION CORRECTION Z:REMARKS CHANGE



PARTS CATALOGUE NEWS

Honda Motor Co., Ltd.
Customer Service Technology Development Division

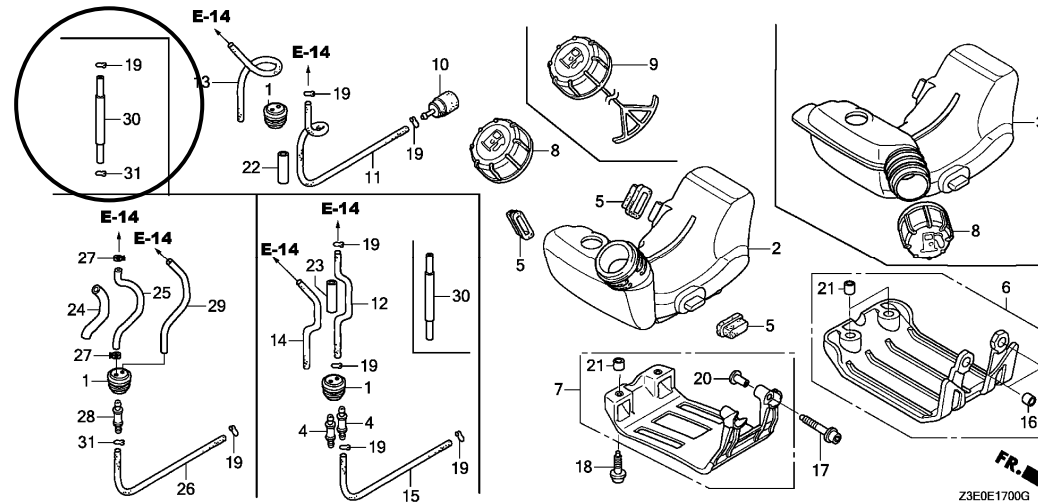
PARTS CATALOGUE - CORRECTED

Printed in Japan

CODE NO.	13Z3E602
PARTS CATALOGUE NEWS	GX25T
NEWS NO.	005

Block No.	Ref. No.	Note	Part No.	Description	Reqd. QTY	Serial No.	Parts catalogue code
					GX 25 T		

E-17 FUEL TANK



E-17	4	T	17519-ZM5-003	FITTING.	2	-----	TD, TESC, TEZ, TEZA, TEZE, TEZL, TEZR, TGT9, TJ
					2	2308815	SKB

NOTE A:PART NO. CHANGE D:NEWLY PROVIDED E:PART NO. DELETION K:REQUIRED NO. CORRECTION L:APPLICATION SERIAL NO. CORRECTION
M:PART DESCRIPTION CORRECTION T:APPLICATION CORRECTION Z:REMARKS CHANGE

PARTS CATALOGUE NEWS

BOOKNo. : 13Z3E602

Block No.	Ref. No.	Note	Part No.	Description	Reqd. QTY	Serial No.	Parts catalogue code
					6X 25 1		
	11	L	17701-Z0H-003	TUBE, FUEL TANK.....	1	----- 1059955	HAT
					1	----- 2308814	S4, SATM, SAU, SAUT, SD, SD2, SD2T, SDC, SDM, SDM1, SDT, SGT3, SGT9, SJ, SJD, SJS, SJT, SK, SKB, SKN, SKT, SMY, ST3E, ST4, SUT, WAU, WD, WJ
					1	----- 3012800	HET, HUT
	12	L	17701-Z0H-821	TUBE, FUEL TANK.....	1	----- 1137837	TESC, TEZ, TEZA, TEZE, TEZL, TEZR
					1	1002909 2308814	TD, TJ
	13	L	17702-Z0H-003	TUBE, FUEL RETURN.....	1	----- 1059955	HAT
					1	----- 2308814	S4, SATM, SAU, SAUT, SD, SD2, SD2T, SDC, SDM, SDM1, SDT, SGT3, SGT9, SJ, SJD, SJS, SJT, SK, SKN, SKT, SMY, ST3E, ST4, SUT, WAU, WD, WJ,
			17702-Z3E-D01		1	----- 2308814	SKB
			17702-Z0H-003		1	----- 3012800	HET, HUT
	14	D	17702-Z3E-D10	TUBE, FUEL RETURN.....	1	2308815 -----	SKB
	15	D	17703-Z0H-J71	TUBE A, FUEL.....	1	2308815 -----	SKB
	19	K	91401-ZM3-003	CLIP, TUBE.....	2	----- -----	HET, HUT, S4, SATM, SAU, SAUT, SD, SD2, SD2T, SDC, SDM, SDM1, SDT, SGT3, SGT9, SJ, SJD, SJS, SJT, SK, SKN, SKT, SMY, ST3E, ST4, SUT, WAU, WD, WJ
					4	----- -----	TD, TESC, TEZ, TEZA, TEZE, TEZL, TEZR, TGT9, TJ
					1	----- -----	W3C
					1	----- 1059955	HAT
					2	----- 2308814	SKB
					4	2308815 -----	SKB
	22	L	16865-Z6J-000	PROTECTOR, TUBE.....	1	----- 1059955	HAT
					1	----- 2308814	S4, SATM, SAU, SAUT, SD, SD2, SD2T, SDC, SDM, SDM1, SDT, SGT3, SGT9, SJ, SJD, SJS, SJT, SK, SKB, SKN, SKT, SMY, ST3E, ST4, SUT, WAU, WD, WJ
					1	----- 3012800	HET, HUT

NOTE A:PART NO. CHANGE D:NEWLY PROVIDED E:PART NO.DELETION K:REQUIRED NO. CORRECTION L:APPLICATION SERIAL NO. CORRECTION
M:PART DESCRIPTION CORRECTION T:APPLICATION CORRECTION Z:REMARKS CHANGE

PARTS CATALOGUE NEWS

BOOKNo. : 13Z3E602

Block No.	Ref. No.	Note	Part No.	Description	Reqd. QTY		Serial No.	Parts catalogue code
					GX	25		
	23	L	16865-Z6J-000	PROTECTOR, TUBE.....	1		-----	TD, TJ
					1		----- 1137837	TEZ, TEZA, TEZE, TEZL, TEZR
		L	16865-Z6J-800	1		----- 1137837	TESC
	24	T	16865-Z6J-000	PROTECTOR, TUBE.....	1		1059956 -----	HAT
	25	T	17701-Z6J-003	TUBE, FUEL.....	1		-----	W3C
					1		1059956 -----	HAT
	26	T	17703-Z0H-J71	TUBE A, FUEL.....	1		-----	W3C
					1		1059956 -----	HAT
					1		2308815 -----	S4, SATM, SAU, SAUT, SD, SD2, SD2T, SDC, SDM, SDM1, SDT, SGT3, SGT9, SJ, SJD, SJS, SJT, SK, SKN, SKT, SMY, ST3E, ST4, SUT, WAU, WD, WJ
					1		3012801 -----	HET, HUT
	27	T	90601-Z6J-003	CLAMP, TUBE.....	2		-----	W3C
					2		1059956 -----	HAT
	28	T	17519-Z6J-003	JOINT, FUEL TANK.....	1		-----	W3C
					1		1059956 -----	HAT
		D	17519-ZM5-003	FITTING.....	1		2308815 -----	S4, SATM, SAU, SAUT, SD, SD2, SD2T, SDC, SDM, SDM1, SDT, SGT3, SGT9, SJ, SJD, SJS, SJT, SK, SKN, SKT, SMY, ST3E, ST4, SUT, WAU, WD, WJ
					1		3012801 -----	HET, HUT
	29	T	17702-Z0H-003	TUBE, FUEL RETURN.....	1		-----	W3C
					1		1059956 -----	HAT
					1		2308815 -----	S4, SATM, SAU, SAUT, SD, SD2, SD2T, SDC, SDM, SDM1, SDT, SGT3, SGT9, SJ, SJD, SJS, SJT, SK, SKN, SKT, SMY, ST3E, ST4, SUT, WAU, WD, WJ
					1		3012801 -----	HET, HUT
	30	T	17701-Z0H-800	TUBE COMP., FUEL FEED.....	1		-----	TGT9

NOTE A:PART NO. CHANGE D:NEWLY PROVIDED E:PART NO.DELETION K:REQUIRED NO. CORRECTION L:APPLICATION SERIAL NO. CORRECTION
M:PART DESCRIPTION CORRECTION T:APPLICATION CORRECTION Z:REMARKS CHANGE

PARTS CATALOGUE NEWS

BOOKNo. : 13Z3E602

Block No.	Ref. No.	Note	Part No.	Description	Reqd. QTY	Serial No.	Parts catalogue code
					1	1137838 -----	TESC, TEZ, TEZA, TEZE, TEZL, TEZR
					1	2308815 -----	S4, SATM, SAU, SAUT, SD, SD2, SD2T, SDC, SDM, SDM1, SDT, SGT3, SGT9, SJ, SJD, SJS, SJT, SK, SKB, SKN, SKT, SMY, ST3E, ST4, SUT, TD, TJ, WAU, WD, WJ
					1	3012801 -----	HET, HUT
	31	T	91401-ZM3-003	CLIP, TUBE.....	1	-----	W3C
					1	1059956 -----	HAT
					2	2308815 -----	S4, SATM, SAU, SAUT, SD, SD2, SD2T, SDC, SDM, SDM1, SDT, SGT3, SGT9, SJ, SJD, SJS, SJT, SK, SKN, SKT, SMY, ST3E, ST4, SUT, WAU, WD, WJ
					2	3012801 -----	HET, HUT

NOTE A:PART NO. CHANGE D:NEWLY PROVIDED E:PART NO.DELETION K:REQUIRED NO. CORRECTION L:APPLICATION SERIAL NO. CORRECTION
M:PART DESCRIPTION CORRECTION T:APPLICATION CORRECTION Z:REMARKS CHANGE



PARTS CATALOGUE NEWS

Honda Motor Co., Ltd.
Customer Service Technology Development Division

PARTS CATALOGUE - CORRECTED

Printed in Japan

CODE NO.	13Z3E602
PARTS CATALOGUE NEWS	GX25T
NEWS NO.	006

Block No.	Ref. No.	Note	Part No.	Description	Reqd. QTY	Serial No.		Parts catalogue code
					GX 25 T			
E-7	7	T	13310-Z0H-306	CRANKSHAFT COMP.	(1)	-----	-----	W3C, WAU, WD, WJ
E-10	4	L	14400-Z3E-003	BELT, TIMING (71ZU6 G-300).....	1	-----	-----	TESC, TEZA, TEZE, TEZL
					1	-----	1062515	HET
					1	-----	2131334	S4, SD2, SD2T, SDM1, SGT3, SGT9, SK, SKB, SKT, ST3E, ST4, WAU
					1	1001281	1062515	HAT, HUT
					1	1007209	-----	TEZ, TEZR
					1	1037066	2131334	SATM, SAU, SAUT, SD, SDM, SDT, SJ, SJD, SJS, SJT, SKN, SMY, SUT, TD, TJ, WD, WJ
		T	14400-Z3E-013	BELT, TIMING (71ZU5 G-310).....	1	-----	-----	SDC, TGT9, W3C
					1	1062516	-----	HAT, HET, HUT
					1	2131335	-----	S4, SATM, SAU, SAUT, SD, SD2, SD2T, SDM, SDM1, SDT, SGT3, SGT9, SJ, SJD, SJS, SJT, SK, SKB, SKN, SKT, SMY, ST3E, ST4, SUT, TD, TJ, WAU, WD, WJ

NOTE A:PART NO. CHANGE D:NEWLY PROVIDED E:PART NO.DELETION K:REQUIRED NO. CORRECTION L:APPLICATION SERIAL NO. CORRECTION
M:PART DESCRIPTION CORRECTION T:APPLICATION CORRECTION Z:REMARKS CHANGE



PARTS CATALOGUE NEWS

Honda Motor Co., Ltd.
 Customer Service Technology Development Division
 PARTS CATALOGUE - CORRECTED

Printed in Japan

CODE NO.	13Z3E602
PARTS CATALOGUE NEWS	GX25T
NEWS NO.	007

Block No.	Ref. No.	Note	Part No.	Description	Reqd. QTY	Serial No.	Parts catalogue code	
					GX 25 T			
E-14	23	L	16100-Z0H-043	CARBURETOR ASSY. (WYB 6D).....	1	----- 1026670	HAT, HET	
		T	16100-Z0H-053	CARBURETOR ASSY. (WYB 6F).....	1	-----	S4, SDC, SGT3, SGT9, ST3E, ST4, TGT9	
					1	1026671	HAT, HET	
					1	1653998	SD, SD2, SD2T, SDM, SDM1, SDT, SJ, SJD, SJS, SJT, SK, SKN, SKT, SMY, TD TJ	
	L	16100-Z0H-804	CARBURETOR ASSY. (WYB 7C).....	1	-----	HUT		
					1	1713499	SATM, SAU, SAUT, SUT	
	T	16100-Z0H-805	CARBURETOR ASSY. (WYB 7E).....	1	1713500	SATM, SAU, SAUT, SUT		
	L	16100-Z0H-814	CARBURETOR ASSY. (WYB 6D).....	1	-----	TEZE		
					1	1653997	SD, SD2, SD2T, SDM, SDM1, SDT, SJ, SJD, SJS, SJT, SK, SKT, SMY	
				16100-Z0H-833	CARBURETOR ASSY. (WYB 10A).....	1	1662361	WD, WJ
	A	16100-Z0H-834	CARBURETOR ASSY. (WYB 10B).....	1	1662362	WD, WJ		
	L	16100-Z0H-854	CARBURETOR ASSY. (WYB 6D).....	1	1653997	SKN, TD, TJ		
				16100-Z0H-862	CARBURETOR ASSY. (WYB 19B).....	1	1077114	TESC, TEZ, TEZA, TEZL, TEZR
	A	16100-Z0H-863	CARBURETOR ASSY. (WYB 19D).....	1	1077115	TESC, TEZ, TEZA, TEZL, TEZR		

NOTE A:PART NO. CHANGE D:NEWLY PROVIDED E:PART NO. DELETION K:REQUIRED NO. CORRECTION L:APPLICATION SERIAL NO. CORRECTION
 M:PART DESCRIPTION CORRECTION T:APPLICATION CORRECTION Z:REMARKS CHANGE



PARTS CATALOGUE NEWS

Service Technology Department, Power Products Operations
Service Division, Honda Motor Co., Ltd.

PARTS CATALOGUE - CORRECTED

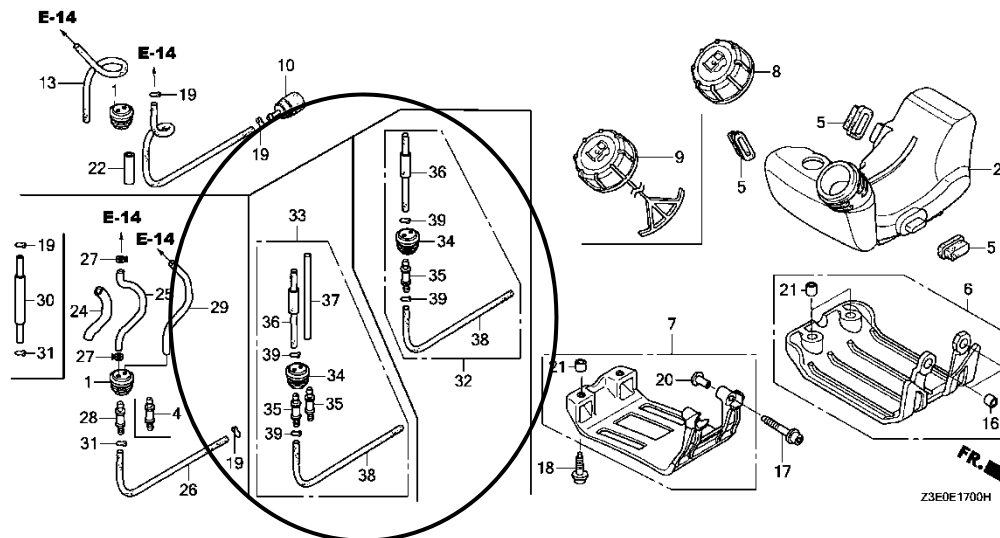
Printed in Japan

CODE NO.	13Z3E602
PARTS CATALOGUE NEWS	GX25T
NEWS NO.	008

Block No.	Ref. No.	Note	Part No.	Description	Reqd. QTY GX 25 T	Serial No.	Parts catalogue code
-----------	----------	------	----------	-------------	----------------------------	------------	----------------------

E-17 FUEL TANK (1)

Ref. No.	(Relative ref. Number) Description	FRT
1	(32, 33, 34)	
3101J0	GROMMET, FUEL TUBE	0.2
26	(38)	
3101F1	TUBE, FUEL TANK	0.2



E-17	1	T	17504-ZM3-003	GROMMET, FUEL TUBE.....	1	-----	HAT, HET, HUT, S4, SATM, SAU, SAUT, SD, SD2, SD2T, SDC, SDM, SDM1, SDT, SGT3, SGT9, SJ, SJD, SJS, SJT, SK, SKB, SKN, SKT, SMY, ST3E, ST4, SUT, W3C, WAU, WD, WJ
------	---	---	---------------	-------------------------	---	-------	---

NOTE A:PART NO. CHANGE D:NEWLY PROVIDED E:PART NO. DELETION K:REQUIRED NO. CORRECTION L:APPLICATION SERIAL NO. CORRECTION
M:PART DESCRIPTION CORRECTION T:APPLICATION CORRECTION Z:REMARKS CHANGE

PARTS CATALOGUE NEWS

BOOKNo. : 13Z3E602

Block No.	Ref. No.	Note	Part No.	Description	Reqd. QTY		Serial No.	Parts catalogue code
					GX 25 I			
	2	E	17511-Z0H-305	*PARTS NO. DELETION				
	3	E	17511-Z0H-823	*PARTS NO. DELETION				
	4	T	17519-ZM5-003	FITTING.	1		2308815 -----	SKB
	5	T	17533-Z0H-000	RUBBER, TANK MOUNTING.	3		-----	HAT, HET, HUT, S4, SATM, SAU, SAUT, SD, SD2, SD2T, SDC, SDM, SDM1, SDT SGT3, SGT9, SJ, SJD, SJS, SJT, SK, SKB, SKN, SKT, SMY, ST3E, ST4, SUT W3C, WAU, WD, WJ
	8	T	17620-ZM3-063	CAP ASSY., FUEL TANK.	1		-----	S4, SATM, SAU, SAUT, SD, SD2, SD2T, SDC, SDM, SDM1, SDT, SGT3, SGT9 SJ, SJD, SJS, SJT, SK, SKN, SKT, SMY, ST3E, ST4, SUT, WAU, WD, WJ
	10	T	17672-Z0H-003	FILTER, FUEL.	1		-----	HAT, HET, HUT, S4, SATM, SAU, SAUT, SD, SD2, SD2T, SDC, SDM, SDM1, SDT SGT3, SGT9, SJ, SJD, SJS, SJT, SK, SKB, SKN, SKT, SMY, ST3E, ST4, SUT W3C, WAU, WD, WJ
	11	E	17701-Z0H-003	*PARTS NO. DELETION				
	12	E	17701-Z0H-820	*PARTS NO. DELETION				
		E	17701-Z0H-821	*PARTS NO. DELETION				
	13	E	17702-Z3E-D01	*PARTS NO. DELETION				
	14	E	17702-Z0H-820	*PARTS NO. DELETION				
		E	17702-Z0H-821	*PARTS NO. DELETION				
		E	17702-Z3E-D10	*PARTS NO. DELETION				
	15	E	17703-Z0H-820	*PARTS NO. DELETION				
		E	17703-Z0H-821	*PARTS NO. DELETION				
		E	17703-Z0H-J71	*PARTS NO. DELETION				
	19	T	91401-ZM3-003	CLIP, TUBE.	2		-----	HET, HUT, S4, SATM, SAU, SAUT, SD, SD2, SD2T, SDC, SDM, SDM1, SDT SGT3, SGT9, SJ, SJD, SJS, SJT, SK, SKB, SKN, SKT, SMY, ST3E, ST4, SUT WAU, WD, WJ
					1		-----	W3C
					2		-----	1059955 HAT
					1		-----	1059956 HAT
	23	E	16865-Z6J-000	*PARTS NO. DELETION				

NOTE A:PART NO. CHANGE D:NEWLY PROVIDED E:PART NO. DELETION K:REQUIRED NO. CORRECTION L:APPLICATION SERIAL NO. CORRECTION
M:PART DESCRIPTION CORRECTION T:APPLICATION CORRECTION Z:REMARKS CHANGE

PARTS CATALOGUE NEWS

BOOKNo. : 13Z3E602

Block No.	Ref. No.	Note	Part No.	Description	Reqd. QTY		Serial No.	Parts catalogue code
					6X 25 T			
		E	16865-Z6J-800	*PARTS NO. DELETION				
	26	T	17703-Z0H-J71	TUBE A, FUEL.....	1	-----	-----	W3C
					1	1059956	-----	HAT
					1	2308815	-----	S4, SATM, SAU, SAUT, SD, SD2, SD2T, SDC, SDM, SDM1, SDT, SGT3, SGT9 SJ, SJD, SJS, SJT, SK, SKB, SKN, SKT, SMY, ST3E, ST4, SUT, WAU, WD, WJ
					1	3012801	-----	HET, HUT
	28	T	17519-ZM5-003	FITTING.....	1	2308815	-----	S4, SATM, SAU, SAUT, SD, SD2, SD2T, SDC, SDM, SDM1, SDT, SGT3, SGT9 SJ, SJD, SJS, SJT, SK, SKB, SKN, SKT, SMY, ST3E, ST4, SUT, WAU, WD, WJ
					1	3012801	-----	HET, HUT
	29	D	17702-Z3E-D10	TUBE, FUEL RETURN.....	1	2308815	-----	SKB
	30	T	17701-Z0H-800	TUBE COMP., FUEL FEED.....	1	2308815	-----	S4, SATM, SAU, SAUT, SD, SD2, SD2T, SDC, SDM, SDM1, SDT, SGT3, SGT9 SJ, SJD, SJS, SJT, SK, SKB, SKN, SKT, SMY, ST3E, ST4, SUT, WAU, WD, WJ
					1	3012801	-----	HET, HUT
	31	T	91401-ZM3-003	CLIP, TUBE.....	1	-----	-----	W3C
					1	1059956	-----	HAT
					2	2308815	-----	S4, SATM, SAU, SAUT, SD, SD2, SD2T, SDC, SDM, SDM1, SDT, SGT3, SGT9 SJ, SJD, SJS, SJT, SK, SKB, SKN, SKT, SMY, ST3E, ST4, SUT, WAU, WD, WJ
					2	3012801	-----	HET, HUT
	32	D	17700-Z0H-305	GROMMET ASSY, FUEL TANK.....	1	-----	1059955	HAT, HET, HUT
					1	-----	2308814	S4, SATM, SAU, SAUT, SD, SD2, SD2T, SDC, SDM, SDM1, SDT, SGT3, SGT9 SJ, SJD, SJS, SJT, SK, SKN, SKT, SMY, ST3E, ST4, SUT, WAU, WD, WJ
	33	D	17700-Z3E-305	GROMMET ASSY, FUEL TANK.....	1	-----	2308814	SKB
	34	D	17504-ZM3-003	GROMMET, FUEL TUBE.....	(1)	-----	1059955	HAT, HET, HUT
					(1)	-----	2308814	S4, SATM, SAU, SAUT, SD, SD2, SD2T, SDC, SDM, SDM1, SDT, SGT3, SGT9 SJ, SJD, SJS, SJT, SK, SKB, SKN, SKT, SMY, ST3E, ST4, SUT, WAU, WD, WJ
	35	D	17519-ZM5-003	FITTING.....	(1)	-----	1059955	HAT, HET, HUT
					(1)	-----	2308814	S4, SATM, SAU, SAUT, SD, SD2, SD2T, SDC, SDM, SDM1, SDT, SGT3, SGT9 SJ, SJD, SJS, SJT, SK, SKN, SKT, SMY, ST3E, ST4, SUT, WAU, WD, WJ

NOTE A:PART NO. CHANGE D:NEWLY PROVIDED E:PART NO. DELETION K:REQUIRED NO. CORRECTION L:APPLICATION SERIAL NO. CORRECTION
M:PART DESCRIPTION CORRECTION T:APPLICATION CORRECTION Z:REMARKS CHANGE

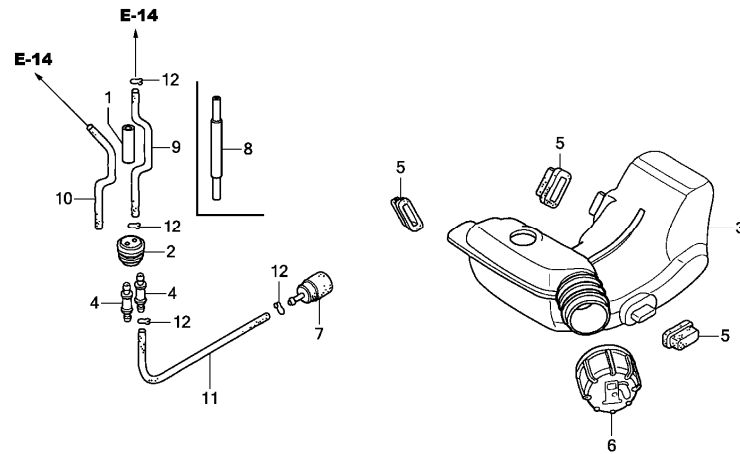
PARTS CATALOGUE NEWS

BOOKNo. : 13Z3E602

Block No.	Ref. No.	Note	Part No.	Description	Reqd. QTY	Serial No.	Parts catalogue code
					6X 25 ↑		
					(2)	----- 2308814	SKB
	36	D	17701-Z0H-800	TUBE COMP., FUEL FEED.....	(1)	----- 1059955	HAT, HET, HUT
					(1)	----- 2308814	S4, SATM, SAU, SAUT, SD, SD2, SD2T, SDC, SDM, SDM1, SDT, SGT3, SGT9 SJ, SJD, SJS, SJT, SK, SKB, SKN, SKT, SMY, ST3E, ST4, SUT, WAU, WD, WJ
	37	D	17702-Z3E-D10	TUBE, FUEL RETURN.....	(1)	----- 2308814	SKB
	38	D	17703-Z0H-J71	TUBE A, FUEL.....	(1)	----- 1059955	HAT, HET, HUT
					(1)	----- 2308814	S4, SATM, SAU, SAUT, SD, SD2, SD2T, SDC, SDM, SDM1, SDT, SGT3, SGT9 SJ, SJD, SJS, SJT, SK, SKB, SKN, SKT, SMY, ST3E, ST4, SUT, WAU, WD, WJ
	39	D	91401-ZM3-003	CLIP, TUBE.....	(2)	----- 1059955	HAT, HET, HUT
					(2)	----- 2308814	S4, SATM, SAU, SAUT, SD, SD2, SD2T, SDC, SDM, SDM1, SDT, SGT3, SGT9 SJ, SJD, SJS, SJT, SK, SKB, SKN, SKT, SMY, ST3E, ST4, SUT, WAU, WD, WJ

E-17-1 FUEL TANK (2)

Ref. No.	LON	(Relative ref. Number) Description	FRT
2	3101J0	GROMMET, FUEL TUBE	0.2
3	3101H7	TANK, FUEL	0.2
7	3101A6	FILTER, FUEL	0.2
11	3101F1	TUBE, FUEL TANK	0.2



FR. →
Z3E0E1701

E-17-1	1	D	16865-Z6J-000	PROTECTOR, TUBE.....	1	----- 1134217	TD, TJ
					1	----- 1137837	TEZ, TEZA, TEZE, TEZL, TEZR

NOTE A:PART NO. CHANGE D:NEWLY PROVIDED E:PART NO. DELETION K:REQUIRED NO. CORRECTION L:APPLICATION SERIAL NO. CORRECTION
M:PART DESCRIPTION CORRECTION T:APPLICATION CORRECTION Z:REMARKS CHANGE

PARTS CATALOGUE NEWS

BOOKNo. : 13Z3E602

Block No.	Ref. No.	Note	Part No.	Description	Reqd. QTY		Serial No.	Parts catalogue code
					GX	25		
		D	16865-Z6J-800	1		----- 1137837	TESC
	2	D	17504-ZM3-003	GROMMET, FUEL TUBE.....	1		-----	TD, TESC, TEZ, TEZA, TEZE, TEZL, TEZR, TGT9, TJ
	3	D	17511-Z0H-823	TANK, FUEL.....	1		-----	TD, TESC, TEZ, TEZA, TEZE, TEZL, TEZR, TGT9, TJ
	4	D	17519-ZM5-003	FITTING.....	2		-----	TD, TESC, TEZ, TEZA, TEZE, TEZL, TEZR, TGT9, TJ
	5	D	17533-Z0H-000	RUBBER, TANK MOUNTING.....	3		-----	TD, TESC, TEZ, TEZA, TEZE, TEZL, TEZR, TGT9, TJ
	6	D	17620-ZM3-063	CAP ASSY., FUEL TANK.....	1		-----	TD, TESC, TEZ, TEZA, TEZE, TEZL, TEZR, TGT9, TJ
	7	D	17672-Z0H-003	FILTER, FUEL.....	1		-----	TD, TESC, TEZ, TEZA, TEZE, TEZL, TEZR, TGT9, TJ
	8	D	17701-Z0H-800	TUBE COMP., FUEL FEED.....	1		-----	TGT9
					1		1134218	----- TD, TJ
					1		1137838	----- TESC, TEZ, TEZA, TEZE, TEZL, TEZR
	9	D	17701-Z0H-820	TUBE, FUEL TANK.....	1		----- 1002908	TD, TJ
		D	17701-Z0H-821	1		----- 1137837	TESC, TEZ, TEZA, TEZE, TEZL, TEZR
					1		1002909 1134217	TD, TJ
	10	D	17702-Z0H-820	TUBE, FUEL RETURN.....	1		----- 1002908	TD, TJ
		D	17702-Z0H-821	1		-----	TESC, TEZ, TEZA, TEZE, TEZL, TEZR, TGT9
					1		1002909	----- TD, TJ
	11	D	17703-Z0H-820	TUBE A, FUEL.....	1		----- 1002908	TD, TJ
		D	17703-Z0H-821	1		-----	TESC, TEZ, TEZA, TEZE, TEZL, TEZR, TGT9
					1		1002909	----- TD, TJ
	12	D	91401-ZM3-003	CLIP, TUBE.....	4		-----	TD, TESC, TEZ, TEZA, TEZE, TEZL, TEZR, TGT9, TJ

NOTE A:PART NO. CHANGE D:NEWLY PROVIDED E:PART NO. DELETION K:REQUIRED NO. CORRECTION L:APPLICATION SERIAL NO. CORRECTION
M:PART DESCRIPTION CORRECTION T:APPLICATION CORRECTION Z:REMARKS CHANGE



PARTS CATALOGUE NEWS

Service Technology Department, Power Products Operations
 Service Division, Honda Motor Co., Ltd.

PARTS CATALOGUE - CORRECTED

Printed in Japan

CODE NO.	13Z3E602
PARTS CATALOGUE NEWS	GX25T
NEWS NO.	009

Block No.	Ref. No.	Note	Part No.	Description	Reqd. QTY	Serial No.	Parts catalogue code	
					GX 25 T			
E-14	5	L	16015-Z6J-003	BODY ASSY., PUMP..... (CARBURETOR NO.)	1	----- WYB 35	W3C	
			16015-Z0H-013	1	-----	HAT, HET, HUT, S4, SATM, SAU, SAUT, SD, SD2, SD2T, SDC, SDM, SDM1, SDT, SGT3, SGT9, SJ, SJD, SJS, SJT, SK, SKN, SKT, SMY, ST3E, ST4, SUT, TD, TESC, TEZ, TEZA, TEZE, TEZL, TEZR, TGT9, TJ, WAU, WD, WJ	
				(CARBURETOR NO.)	1	WYB 21B -----	W3C	
	23	L	16100-Z0H-053	CARBURETOR ASSY. (WYB 6F).....	1	-----	S4, SGT3, SGT9, ST3E, ST4, TGT9	
					1	1026671 -----	HAT, HET	
					1	1653998 -----	SD, SD2, SD2T, SDM, SDM1, SDT, SJ, SJD, SJS, SJT, SK, SKN, SKT, SMY, TD, TJ	
					1	----- 2121630	SDC	
		L		16100-Z6J-801	CARBURETOR ASSY. (WYB 35).....	1	----- 2216306	W3C
		T		16100-Z0H-805	CARBURETOR ASSY. (WYB 7E).....	1	1713500 -----	SATM, SAU, SAUT, SUT
						1	2121631 -----	SDC
	T		16100-Z0H-G93	CARBURETOR ASSY. (WYB 21B).....	1	1846546 -----	WAU	
					1	2216307 -----	W3C	

NOTE A:PART NO. CHANGE D:NEWLY PROVIDED E:PART NO. DELETION K:REQUIRED NO. CORRECTION L:APPLICATION SERIAL NO. CORRECTION
 M:PART DESCRIPTION CORRECTION T:APPLICATION CORRECTION Z:REMARKS CHANGE

PARTS CATALOGUE NEWS

BOOKNo. : 13Z3E602

Block No.	Ref. No.	Note	Part No.	Description	Reqd. QTY	Serial No.		Parts catalogue code
					6X 25 I			
	33	L	99101-ZM5-0320	JET (#32)	(1)	-----	-----	HAT, HET, S4, SD, SD2, SD2T, SDM, SDM1, SDT, SGT3, SGT9, SJ, SJD, SJS SJT, SK, SKN, SKT, SMY, ST3E, ST4, TD, TESC, TEZ, TEZA, TEZE, TEZL TEZR, TGT9, TJ, WD, WJ
				(CARBURETOR NO.)	(1)	-----	WYB 35	W3C
				(CARBURETOR NO.)	(1)	-----	WYB 6F	SDC
		T	99101-ZM5-0340	JET (#34)	1	-----	-----	HAT, HET, S4, SD, SD2, SD2T, SDM, SDM1, SDT, SGT3, SGT9, SJ, SJD, SJS SJT, SK, SKN, SKT, SMY, ST3E, ST4, TD, TESC, TEZ, TEZA, TEZE, TEZL TEZR, TGT9, TJ, WD, WJ
					(1)	-----	-----	HUT, SATM, SAU, SAUT, SKB, SUT, WAU
				(CARBURETOR NO.)	1	-----	WYB 35	W3C
				(CARBURETOR NO.)	1	-----	WYB 6F	SDC
				(CARBURETOR NO.)	(1)		WYB 7E	SDC
				(CARBURETOR NO.)	(1)		WYB 21B	W3C
		T	99101-ZM5-0350	JET (#35)	1	-----	-----	HUT, SATM, SAU, SAUT, SKB, SUT, WAU
				(CARBURETOR NO.)	1		WYB 7E	SDC
				(CARBURETOR NO.)	1		WYB 21B	W3C

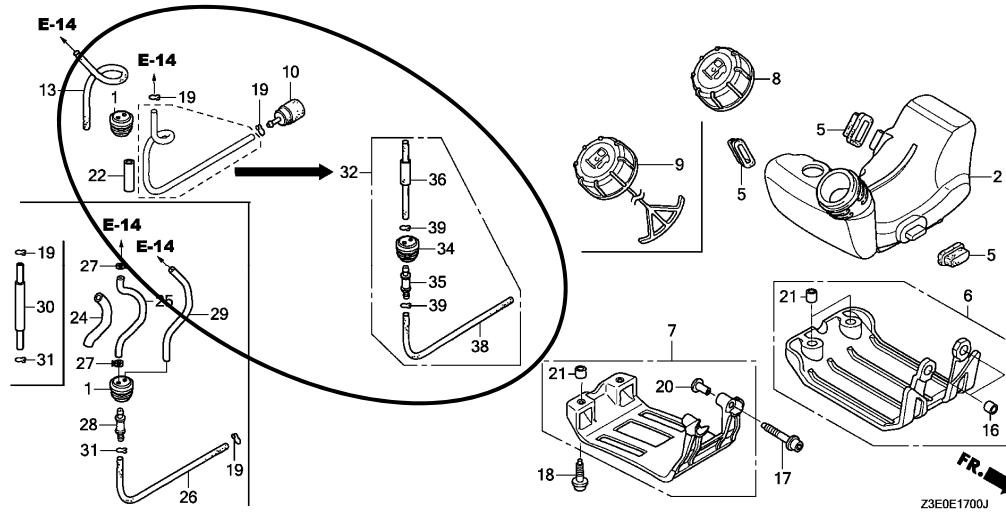
NOTE A:PART NO. CHANGE D:NEWLY PROVIDED E:PART NO. DELETION K:REQUIRED NO. CORRECTION L:APPLICATION SERIAL NO. CORRECTION
M:PART DESCRIPTION CORRECTION T:APPLICATION CORRECTION Z:REMARKS CHANGE

PARTS CATALOGUE NEWS

BOOKNo. : 13Z3E602

Block No.	Ref. No.	Note	Part No.	Description	Reqd. QTY	Serial No.	Parts catalogue code
					6X 25 ↑		

E-17 FUEL TANK (1)



E-17	1	T	17504-ZM3-003	GROMMET, FUEL TUBE.....	1	-----	HAT, HET, HUT, S4, SATM, SAU, SAUT, SD, SD2, SD2T, SDC, SDM, SDM1, SDT, SGT3, SGT9, SJ, SJD, SJS, SJT, SK, SKN, SKT, SMY, ST3E, ST4, SUT, W3C, WAU, WD, WJ
	2	T	17511-Z0H-023	TANK, FUEL.....	1	-----	HET, HUT, S4, SATM, SAU, SAUT, SD, SD2, SD2T, SDC, SDM, SDM1, SDT, SGT3, SGT9, SJ, SJD, SJS, SJT, SK, SKN, SKT, SMY, ST3E, ST4, SUT, WAU, WD, WJ
					1	1007683	HAT
	4	E	17519-ZM5-003	*PART NO. DELETION			
	5	T	17533-Z0H-000	RUBBER, TANK MOUNTING.....	3	-----	HAT, HET, HUT, S4, SATM, SAU, SAUT, SD, SD2, SD2T, SDC, SDM, SDM1, SDT, SGT3, SGT9, SJ, SJD, SJS, SJT, SK, SKN, SKT, SMY, ST3E, ST4, SUT, W3C, WAU, WD, WJ
	9	T	17620-ZM3-817	CAP ASSY., FUEL TANK.....	1	-----	HAT, HET, HUT, W3C
	10	T	17672-Z0H-003	FILTER, FUEL.....	1	-----	HAT, HET, HUT, S4, SATM, SAU, SAUT, SD, SD2, SD2T, SDC, SDM, SDM1, SDT, SGT3, SGT9, SJ, SJD, SJS, SJT, SK, SKN, SKT, SMY, ST3E, ST4, SUT, W3C, WAU, WD, WJ
	19	T	91401-ZM3-003	CLIP, TUBE.....	2	-----	HET, HUT, S4, SATM, SAU, SAUT, SD, SD2, SD2T, SDC, SDM, SDM1, SDT, SGT3, SGT9, SJ, SJD, SJS, SJT, SK, SKN, SKT, SMY, ST3E, ST4, SUT, WAU, WD, WJ

NOTE A:PART NO. CHANGE D:NEWLY PROVIDED E:PART NO. DELETION K:REQUIRED NO. CORRECTION L:APPLICATION SERIAL NO. CORRECTION
M:PART DESCRIPTION CORRECTION T:APPLICATION CORRECTION Z:REMARKS CHANGE

PARTS CATALOGUE NEWS

BOOKNo. : 13Z3E602

Block No.	Ref. No.	Note	Part No.	Description	Reqd. QTY		Serial No.	Parts catalogue code
					6X 25 T			
					1		-----	W3C
					2		-----	1059955 HAT
					1		-----	1059956 HAT
	22	T	16865-Z6J-000	PROTECTOR, TUBE.....	1		-----	1059955 HAT
					1		-----	2308814 S4, SATM, SAU, SAUT, SD, SD2, SD2T, SDC, SDM, SDM1, SDT, SGT3, SGT9 SJ, SJD, SJS, SJT, SK, SKN, SKT, SMY, ST3E, ST4, SUT, WAU, WD, WJ
					1		-----	3012800 HET, HUT
	26	T	17703-Z0H-J71	TUBE A, FUEL.....	1		-----	W3C
					1		-----	1059956 HAT
					1		-----	2308815 S4, SATM, SAU, SAUT, SD, SD2, SD2T, SDC, SDM, SDM1, SDT, SGT3, SGT9 SJ, SJD, SJS, SJT, SK, SKN, SKT, SMY, ST3E, ST4, SUT, WAU, WD, WJ
					1		-----	3012801 HET, HUT
	28	T	17519-ZM5-003	FITTING.....	1		-----	2308815 S4, SATM, SAU, SAUT, SD, SD2, SD2T, SDC, SDM, SDM1, SDT, SGT3, SGT9, SJ SJD, SJS, SJT, SK, SKN, SKT, SMY, ST3E, ST4, SUT, WAU, WD, WJ
					1		-----	3012801 HET, HUT
	29	T	17702-Z0H-003	TUBE, FUEL RETURN.....	1		-----	W3C
					1		-----	1059956 HAT
					1		-----	2308815 S4, SATM, SAU, SAUT, SD, SD2, SD2T, SDC, SDM, SDM1, SDT, SGT3, SGT9, SJ SJD, SJS, SJT, SK, SKN, SKT, SMY, ST3E, ST4, SUT, WAU, WD, WJ
					1		-----	3012801 HET, HUT
	30	T	17701-Z0H-800	TUBE COMP., FUEL FEED.....	1		-----	2308815 S4, SATM, SAU, SAUT, SD, SD2, SD2T, SDC, SDM, SDM1, SDT, SGT3, SGT9, SJ SJD, SJS, SJT, SK, SKN, SKT, SMY, ST3E, ST4, SUT, WAU, WD, WJ
					1		-----	3012801 HET, HUT
	31	T	91401-ZM3-003	CLIP, TUBE.....	1		-----	W3C
					1		-----	1059956 HAT
					2		-----	2308815 S4, SATM, SAU, SAUT, SD, SD2, SD2T, SDC, SDM, SDM1, SDT, SGT3, SGT9, SJ SJD, SJS, SJT, SK, SKN, SKT, SMY, ST3E, ST4, SUT, WAU, WD, WJ

NOTE A:PART NO. CHANGE D:NEWLY PROVIDED E:PART NO. DELETION K:REQUIRED NO. CORRECTION L:APPLICATION SERIAL NO. CORRECTION
M:PART DESCRIPTION CORRECTION T:APPLICATION CORRECTION Z:REMARKS CHANGE

PARTS CATALOGUE NEWS

BOOKNo. : 13Z3E602

Block No.	Ref. No.	Note	Part No.	Description	Reqd. QTY		Serial No.	Parts catalogue code
					6X 25 I			
					2		3012801 -----	HET, HUT
	32	T	17700-Z0H-305	GROMMET ASSY., FUEL TANK.	1		----- 1059955	HAT, HET, HUT
					1		----- 2308814	S4, SATM, SAU, SAUT, SD, SD2, SD2T, SDC, SDM, SDM1, SDT, SGT3, SGT9, SJ SJD, SJS, SJT, SK, SKN, SKT, SMY, ST3E, ST4, SUT, WAU, WD, WJ
	33	E	17700-Z3E-305	*PART NO. DELETION				
	34	T	17504-ZM3-003	GROMMET, FUEL TUBE.	(1)		----- 1059955	HAT, HET, HUT
					(1)		----- 2308814	S4, SATM, SAU, SAUT, SD, SD2, SD2T, SDC, SDM, SDM1, SDT, SGT3, SGT9, SJ SJD, SJS, SJT, SK, SKN, SKT, SMY, ST3E, ST4, SUT, WAU, WD, WJ
	35	T	17519-ZM5-003	FITTING.	(1)		----- 1059955	HAT, HET, HUT
					(1)		----- 2308814	S4, SATM, SAU, SAUT, SD, SD2, SD2T, SDC, SDM, SDM1, SDT, SGT3, SGT9, SJ SJD, SJS, SJT, SK, SKN, SKT, SMY, ST3E, ST4, SUT, WAU, WD, WJ
	36	T	17701-Z0H-800	TUBE COMP., FUEL FEED.	(1)		----- 1059955	HAT, HET, HUT
					(1)		----- 2308814	S4, SATM, SAU, SAUT, SD, SD2, SD2T, SDC, SDM, SDM1, SDT, SGT3, SGT9, SJ SJD, SJS, SJT, SK, SKN, SKT, SMY, ST3E, ST4, SUT, WAU, WD, WJ
	37	E	17702-Z3E-D10	*PART NO. DELETION				
	38	T	17703-Z0H-J71	TUBE A, FUEL.	(1)		----- 1059955	HAT, HET, HUT
					(1)		----- 2308814	S4, SATM, SAU, SAUT, SD, SD2, SD2T, SDC, SDM, SDM1, SDT, SGT3, SGT9, SJ SJD, SJS, SJT, SK, SKN, SKT, SMY, ST3E, ST4, SUT, WAU, WD, WJ
	39	T	91401-ZM3-003	CLIP, TUBE.	(2)		----- 1059955	HAT, HET, HUT
					(2)		----- 2308814	S4, SATM, SAU, SAUT, SD, SD2, SD2T, SDC, SDM, SDM1, SDT, SGT3, SGT9, SJ SJD, SJS, SJT, SK, SKN, SKT, SMY, ST3E, ST4, SUT, WAU, WD, WJ

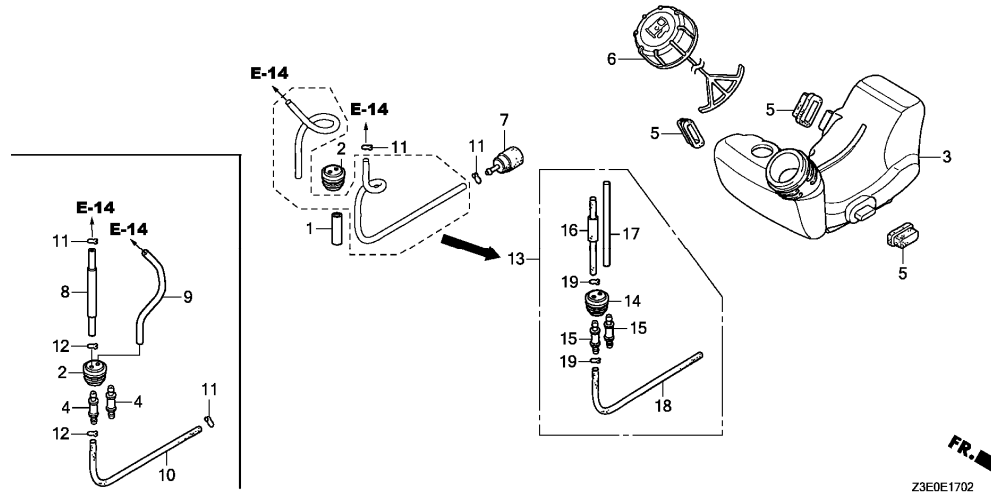
NOTE A:PART NO. CHANGE D:NEWLY PROVIDED E:PART NO. DELETION K:REQUIRED NO. CORRECTION L:APPLICATION SERIAL NO. CORRECTION
M:PART DESCRIPTION CORRECTION T:APPLICATION CORRECTION Z:REMARKS CHANGE

BOOKNo. : 13Z3E602

Block No.	Ref. No.	Note	Part No.	Description	Reqd. QTY GX 25 T	Serial No.	Parts catalogue code
-----------	----------	------	----------	-------------	----------------------------	------------	----------------------

E-17-2 FUEL TANK (3)

Ref. No.	LON	(Relative ref. Number) Description	FRT
2		(14)	
3101J0		GROMMET, FUEL TUBE	0.2
3101H7		TANK, FUEL	0.2
73101A6		FILTER, FUEL	0.2
10		(18)	
3101F1		TUBE, FUEL TANK	0.2



E-17-2	1	D	16865-Z6J-000	PROTECTOR, TUBE	1	----- 2308814	SKB
	2	D	17504-ZM3-003	GROMMET, FUEL TUBE	1	-----	SKB
	3	D	17511-Z0H-023	TANK, FUEL	1	-----	SKB
	4	D	17519-ZM5-003	FITTING	2	2308815 -----	SKB
	5	D	17533-Z0H-000	RUBBER, TANK MOUNTING	3	-----	SKB
	6	D	17620-ZM3-817	CAP ASSY., FUEL TANK	1	-----	SKB
	7	D	17672-Z0H-003	FILTER, FUEL	1	-----	SKB
	8	D	17701-Z0H-800	TUBE COMP., FUEL FEED	1	2308815 -----	SKB
	9	D	17702-Z3E-D10	TUBE, FUEL RETURN	1	2308815 -----	SKB
	10	D	17703-Z0H-J71	TUBE A, FUEL	1	2308815 -----	SKB
	11	D	91401-ZM3-003	CLIP, TUBE	2	-----	SKB
	12	D	91401-ZM3-003	CLIP, TUBE	2	2308815 -----	SKB

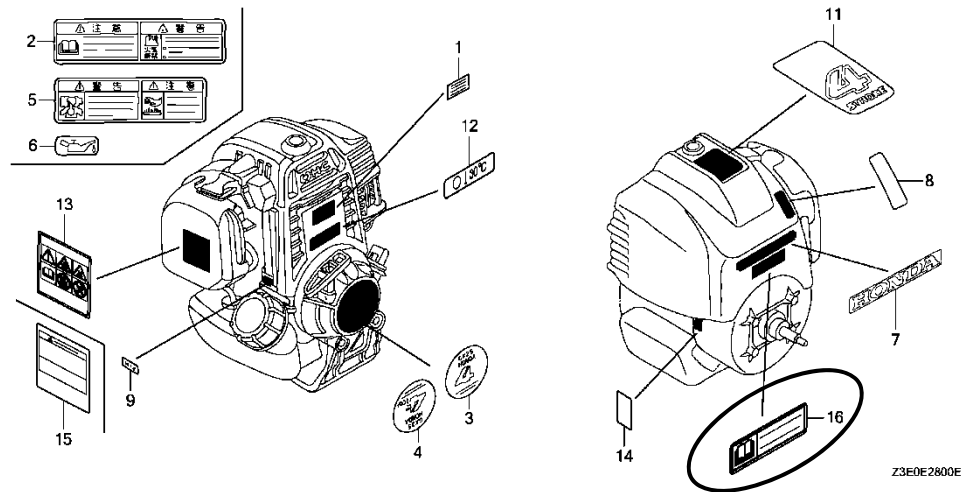
NOTE A:PART NO. CHANGE D:NEWLY PROVIDED E:PART NO. DELETION K:REQUIRED NO. CORRECTION L:APPLICATION SERIAL NO. CORRECTION
M:PART DESCRIPTION CORRECTION T:APPLICATION CORRECTION Z:REMARKS CHANGE

PARTS CATALOGUE NEWS

BOOKNo. : 13Z3E602

Block No.	Ref. No.	Note	Part No.	Description	Reqd. QTY	Serial No.	Parts catalogue code
					6X 25 1		
	13	D	17700-Z3E-305	GROMMET ASSY., FUEL TANK.....	1	----- 2308814	SKB
	14	D	17504-ZM3-003	GROMMET, FUEL TUBE.....	(1)	----- 2308814	SKB
	15	D	17519-ZM5-003	FITTING.....	(2)	----- 2308814	SKB
	16	D	17701-Z0H-800	TUBE COMP., FUEL FEED.....	(1)	----- 2308814	SKB
	17	D	17702-Z3E-D10	TUBE, FUEL RETURN.....	(1)	----- 2308814	SKB
	18	D	17703-Z0H-J71	TUBE A, FUEL.....	(1)	----- 2308814	SKB
	19	D	91401-ZM3-003	CLIP, TUBE.....	(2)	----- 2308814	SKB

E-28 LABEL



E-28	16	D	87522-ZK6-800	LABEL, CAUTION (CHINA).....	1	2121631 -----	SDC, W3C
------	----	---	---------------	-----------------------------	---	---------------	----------

NOTE A:PART NO. CHANGE D:NEWLY PROVIDED E:PART NO. DELETION K:REQUIRED NO. CORRECTION L:APPLICATION SERIAL NO. CORRECTION
M:PART DESCRIPTION CORRECTION T:APPLICATION CORRECTION Z:REMARKS CHANGE



PARTS CATALOGUE NEWS

Service Technology Department, Power Products Operations
Service Division, Honda Motor Co., Ltd.

PARTS CATALOGUE - CORRECTED

Printed in Japan

CODE NO.	13Z3E602
PARTS CATALOGUE NEWS	GX25T
NEWS NO.	010

Block No.	Ref. No.	Note	Part No.	Description	Reqd. QTY	Serial No.	Parts catalogue code			
					GX 25 T					
E-7	2	L	13101-Z0H-000	PISTON.....	1	----- 1033070	HAT, HET, HUT			
					1	----- 1147297	TESC, TEZ, TEZA, TEZE, TEZL, TEZR			
					1	----- 1781109	SATM, SAU, SAUT, SD, SD2, SD2T, SDM, SDM1, SDT, SJ, SJD, SJS, SJT, SK, SKB, SKN, SKT, SMY, SUT, TD, TJ			
					1	----- 2565501	S4, SDC, SGT3, SGT9, ST3E, ST4, TGT9			
					1	----- 2571731	W3C, WAU, WD, WJ			
					1	1033071 1114861	HAT, HET, HUT			
	4	L	13310-Z0H-020	CRANKSHAFT COMP.....	1	----- 1033070	HAT, HET, HUT			
					1	----- 1147297	TESC, TEZ, TEZA, TEZE, TEZL, TEZR			
					D	13101-Z3E-000	PISTON (STD.).....	1	1114862 -----	HAT, HET, HUT
								1	1147298 -----	TESC, TEZ, TEZA, TEZE, TEZL, TEZR
								1	2565502 -----	S4, SATM, SAU, SAUT, SD, SD2, SD2T, SDC, SDM, SDM1, SDT, SGT3, SGT9, SJ, SJD, SJS, SJT, SK, SKB, SKN, SKT, SMY, ST3E, ST4, SUT, TD, TGT9, TJ
								1	2571732 -----	W3C, WAU, WD, WJ

NOTE A:PART NO. CHANGE D:NEWLY PROVIDED E:PART NO. DELETION K:REQUIRED NO. CORRECTION L:APPLICATION SERIAL NO. CORRECTION
M:PART DESCRIPTION CORRECTION T:APPLICATION CORRECTION Z:REMARKS CHANGE

PARTS CATALOGUE NEWS

BOOKNo. :13Z3E602

Block No.	Ref. No.	Note	Part No.	Description	Reqd. QTY	Serial No.	Parts catalogue code
					GX 25 I		
					1	----- 1781109	SATM, SAU, SAUT, SD, SD2, SD2T, SDM, SDM1, SDT, SJ, SJD, SJS, SJT, SK SKB, SKN, SKT, SMY, SUT, TD, TJ
		T	13310-Z0H-030	1	----- 2565501	S4, SDC, SGT3, SGT9, ST3E, ST4, TGT9
					1	1033071 1114861	HAT, HET, HUT
			13310-Z0H-802	1	----- 2571731	W3C, WAU, WD, WJ
		D	13310-Z3E-000	1	1114862 -----	HAT, HET, HUT
					1	1147298 -----	TESC, TEZ, TEZA, TEZE, TEZL, TEZR
					1	2565502 -----	S4, SATM, SAU, SAUT, SD, SD2, SD2T, SDC, SDM, SDM1, SDT, SGT3, SGT9, SJ SJD, SJS, SJT, SK, SKB, SKN, SKT, SMY, ST3E, ST4, SUT, TD, TGT9, TJ
		A	13310-Z3E-800	1	2571732 -----	W3C, WAU, WD, WJ
	7	L	13310-Z0H-305	CRANKSHAFT COMP.....	(1)	----- 1114861	HAT, HET, HUT
					(1)	----- 1147297	TESC, TEZ, TEZA, TEZE, TEZL, TEZR
					(1)	----- 2565501	S4, SATM, SAU, SAUT, SD, SD2, SD2T, SDC, SDM, SDM1, SDT, SGT3, SGT9, SJ SJD, SJS, SJT, SK, SKB, SKN, SKT, SMY, ST3E, ST4, SUT, TD, TGT9, TJ
			13310-Z0H-306	(1)	----- 2571731	W3C, WAU, WD, WJ
		A	13310-Z3E-305	(1)	1114862 -----	HAT, HET, HUT
					(1)	1147298 -----	TESC, TEZ, TEZA, TEZE, TEZL, TEZR
					(1)	2565502 -----	S4, SATM, SAU, SAUT, SD, SD2, SD2T, SDC, SDM, SDM1, SDT, SGT3, SGT9, SJ SJD, SJS, SJT, SK, SKB, SKN, SKT, SMY, ST3E, ST4, SUT, TD, TGT9, TJ
		A	13310-Z3E-306	(1)	2571732 -----	W3C, WAU, WD, WJ

NOTE A:PART NO. CHANGE D:NEWLY PROVIDED E:PART NO. DELETION K:REQUIRED NO. CORRECTION L:APPLICATION SERIAL NO. CORRECTION
M:PART DESCRIPTION CORRECTION T:APPLICATION CORRECTION Z:REMARKS CHANGE



PARTS CATALOGUE NEWS

Service Technology Department, Power Products Operations
 Service Division, Honda Motor Co., Ltd.

PARTS CATALOGUE - CORRECTED

Printed in Japan

CODE NO.	13Z3E602
PARTS CATALOGUE NEWS	GX25T
NEWS NO.	011

Block No.	Ref. No.	Note	Part No.	Description	Reqd. QTY	Serial No.	Parts catalogue code
					GX 25 T		
E-15	3		17220-Z0H-010	CASE COMP., AIR CLEANER.....	1	----- 2455343	S4, SD2, SD2T, SDC, SGT3, SGT9, SKB, ST3E, ST4, W3C, WAU
					1	1326919 2455343	SATM, SAU, SAUT, SD, SDM, SDM1, SDT, SJ, SJD, SJS, SJT, SK, SKT, SMY SUT, WD, WJ
	A	17220-Z0H-020	1	2455344 -----	S4, SATM, SAU, SAUT, SD, SD2, SD2T, SDC, SDM, SDM1, SDT, SGT3, SGT9 S.J, SJD, SJS, SJT, SK, SKB, SKT, SMY, ST3E, ST4, SUT, W3C, WAU, WD, WJ	
E-16	1		18310-Z0H-000	MUFFLER COMP.....	1	----- 2473616	SD, SD2, SD2T, SDC, SDM, SDM1, SDT, SJ, SJD, SJS, SJT, SK, SKB, SKN SKT, SMY, WD, WJ
			A	18310-Z0H-010	1	2473617 -----
	2		18310-Z0H-800	MUFFLER COMP.....	1	----- 1094529	HAT, HET, HUT
					1	----- 2455343	S4, SAU, SAUT, SGT3, SGT9, ST3E, ST4, SUT, W3C, WAU
					(1)	----- 2455343	WD, WJ
	A		18310-Z0H-801	1	1094530 -----	HAT, HET, HUT
					1	2455344 -----	S4, SAU, SAUT, SGT3, SGT9, ST3E, ST4, SUT, W3C, WAU
					(1)	2455344 -----	WD, WJ
					1	----- 1142409	TESC, TEZ, TEZA, TEZE, TEZL, TEZR
3		18310-Z0H-850	MUFFLER COMP.....	1	----- 2488155	TGT9	
				1	-----		

NOTE A:PART NO. CHANGE D:NEWLY PROVIDED E:PART NO. DELETION K:REQUIRED NO. CORRECTION L:APPLICATION SERIAL NO. CORRECTION
 M:PART DESCRIPTION CORRECTION T:APPLICATION CORRECTION Z:REMARKS CHANGE

PARTS CATALOGUE NEWS

BOOKNo. :13Z3E602

Block No.	Ref. No.	Note	Part No.	Description	Reqd. QTY	Serial No.	Parts catalogue code
					GX 25 I		
		A	18310-Z0H-851	1	1142410 -----	TESC, TEZ, TEZA, TEZE, TEZL, TEZR
					1	2488156 -----	TGT9

NOTE A:PART NO. CHANGE D:NEWLY PROVIDED E:PART NO.DELETION K:REQUIRED NO. CORRECTION L:APPLICATION SERIAL NO. CORRECTION
M:PART DESCRIPTION CORRECTION T:APPLICATION CORRECTION Z:REMARKS CHANGE



PARTS CATALOGUE NEWS

Service Technology Department, Power Products Operations
Service Division, Honda Motor Co., Ltd.

PARTS CATALOGUE - CORRECTED

Printed in Japan

CODE NO.	13Z3E602
PARTS CATALOGUE NEWS	GX25T
NEWS NO.	012

Block No.	Ref. No.	Note	Part No.	Description	Reqd. QTY	Serial No.		Parts catalogue code	
					GX 25 T				
E-19	1	A	30500-Z3E-004	COIL ASSY., IGNITION (IKEDA) (USE FOR F/W OF IKEDA).....	1	1161114	-----	HAT, HET, HUT	
					1	3016121	-----	S4, SATM, SAU, SAUT, SD, SD2, SD2T, SDC, SDM, SDM1, SDT, SGT3, SGT9 SJ, SJD, SJS, SJT, SK, SKB, SKN, SKT, SMY, ST3E, ST4, SUT, TD, TGT9, TJ	
					1	3016145	-----	W3C, WAU, WD, WJ	
					1	1161113	-----	HAT, HET, HUT	
	2	A	31110-Z3E-003	FLYWHEEL COMP. (TEC) (USE FOR IGN. COIL OF TEC).....	1	-----	3016120	-----	S4, SATM, SAU, SAUT, SD, SD2, SD2T, SDC, SDM, SDM1, SDT, SGT3, SGT9 SJ, SJD, SJS, SJT, SK, SKB, SKN, SKT, SMY, ST3E, ST4, SUT, TD, TGT9, TJ
					1	-----	3016144	-----	W3C, WAU, WD, WJ
					1	-----	3016113	-----	HAT, HET, HUT
					1	-----	3016120	-----	S4, SATM, SAU, SAUT, SD, SD2, SD2T, SDC, SDM, SDM1, SDT, SGT3, SGT9 SJ, SJD, SJS, SJT, SK, SKB, SKN, SKT, SMY, ST3E, ST4, SUT, TD, TGT9, TJ
					1	-----	3016144	-----	W3C, WAU, WD, WJ
					1	-----	3016113	-----	HAT, HET, HUT
A	31110-Z3E-004	FLYWHEEL COMP. (IKEDA) (USE FOR IGN. COIL OF IKEDA).....	1	1161114	-----	HAT, HET, HUT			
			1	3016121	-----	S4, SATM, SAU, SAUT, SD, SD2, SD2T, SDC, SDM, SDM1, SDT, SGT3, SGT9 SJ, SJD, SJS, SJT, SK, SKB, SKN, SKT, SMY, ST3E, ST4, SUT, TD, TGT9, TJ			
			1	-----	3016144	-----	W3C, WAU, WD, WJ		
			1	-----	3016145	-----	W3C, WAU, WD, WJ		

NOTE A:PART NO. CHANGE D:NEWLY PROVIDED E:PART NO. DELETION K:REQUIRED NO. CORRECTION L:APPLICATION SERIAL NO. CORRECTION
M:PART DESCRIPTION CORRECTION T:APPLICATION CORRECTION Z:REMARKS CHANGE



PARTS CATALOGUE NEWS

Service Technology Department, Power Products Operations
Service Division, Honda Motor Co., Ltd.

PARTS CATALOGUE - CORRECTED

Printed in Japan

CODE NO.	13Z3E602
PARTS CATALOGUE NEWS	GX25T
NEWS NO.	013

GX25T-SBT TYPE sales parts information

NOTE: This Parts Catalogue News explains only the parts of the different model that are produced to conform to addition of the GX25T-SBT type.

As for the parts not listed on this Parts Catalogue News, use the parts of the GX25T-SDT type

•Models, parts catalogue codes and applicable serial numbers

Model	Type		Parts catalogue type	Applicable engine serial No.	Applicable carburetor identification No.
GX25T	SDT	Base type	SDT	GCALT- 1000001~	WYB 8A WYB 6F
	SBT	Additional type	SBT		WYB 32

BOOKNo. : 13Z3E602

•Features of each type		Base type	Additional type
Specifications	Model	GX25T	
	Type	SDT	SBT
Clutch		●	●
P.T.O. shaft			
Arrester			
Tank guard		●	●
Engine stop switch			

NOTE A:PART NO. CHANGE D:NEWLY PROVIDED E:PART NO. DELETION K:REQUIRED NO. CORRECTION L:APPLICATION SERIAL NO. CORRECTION
M:PART DESCRIPTION CORRECTION T:APPLICATION CORRECTION Z:REMARKS CHANGE

PARTS CATALOGUE NEWS

BOOKNo. : 13Z3E602

Block No.	Ref. No.	Part No.	Description	Reqd. QTY		Base Part No.	Parts catalogue code
				GX 25 T			
E-2	16	90009-Z3E-901	BOLT, SOCKET, 5X20.....	2		90009-Z0H-003	SBT
E-7	1	13010-Z3E-003	RING SET, PISTON(TPR).....	1			SBT
E-10	5	14711-Z3E-000	VALVE, IN. (E1).....	1			SBT
	6	14721-Z3E-000	VALVE, EX. (EE).....	1			SBT
	8	14771-Z3F-000	RETAINER, VALVE SPRING.....	2		14771-Z0H-000	SBT
E-11	1	28400-Z3E-M01	STARTER ASSY., RECOIL.....	1		28400-Z0H-003	SBT
	9	28461-Z3F-M01	KNOB, RECOIL STARTER.....	1		28461-ZM3-003	SBT
	12	90018-Z3E-901	BOLT, SOCKET, 5X16.....	1		90018-Z0H-003	SBT
E-12	8	90009-Z3E-901	BOLT, SOCKET, 5X20.....	3		90009-Z0H-003	SBT
E-14	5	16015-Z3F-J42	BODY ASSY., PUMP.....	1		16015-Z0H-013	SBT
	10	16021-Z3F-J42	SCREW, METERING LEVER PIN.....	1		16021-ZM3-004	SBT
	23	16100-Z3E-D02	CARBURETOR ASSY. (WYB 32A).....	1		16100-Z0H-053	SBT
	27	19631-Z0H-010	SHROUD.....	1		19631-Z0H-000	SBT
	30	90018-Z3E-901	BOLT, SOCKET, 5X16.....	3		90018-Z0H-003	SBT
	33	99101-ZM5-0340	JET (#34).....	(1)		99101-Z0H-0320	SBT
		99101-ZM5-0350	JET (#35).....	1			SBT
E-15	4	17231-Z0H-010	COVER, AIR CLEANER.....	1		17231-Z0H-000	SBT
E-16	10	90011-Z3E-901	BOLT, SOCKET, 5X10.....	1		90011-Z0H-003	SBT

NOTE A:PART NO. CHANGE D:NEWLY PROVIDED E:PART NO. DELETION K:REQUIRED NO. CORRECTION L:APPLICATION SERIAL NO. CORRECTION
M:PART DESCRIPTION CORRECTION T:APPLICATION CORRECTION Z:REMARKS CHANGE

PARTS CATALOGUE NEWS

BOOKNo. : 13Z3E602

Block No.	Ref. No.	Part No.	Description	Reqd. QTY GX 25 T	Base Part No.	Parts catalogue code
E-17		FUEL TANK (1)				

E-17	8		CAP ASSY., FUEL TANK.....	0	17620-ZM3-063	SBT
	9	17620-ZM3-817	CAP ASSY., FUEL TANK.....	1		SBT
	17	90010-Z3E-901	BOLT, SOCKET, 5X30.....	2	90010-Z0H-003	SBT
	18	90018-Z3E-901	BOLT, SOCKET, 5X16.....	2	90018-Z0H-003	SBT
	19	91401-Z3E-000	CLIP, TUBE(B1 5).....	2	91401-ZM3-003	SBT
	24	16865-Z6J-010	PROTECTOR, TUBE.....	1		SBT
	25	17701-Z0H-801	TUBE, FUEL FEED.....	1		SBT
	29	17702-Z3E-D11	TUBE, FUEL RETURN.....	1	17702-Z0H-003	SBT
	30		TUBE COMP., FUEL FEED.....	0	17701-Z0H-800	SBT
	31	91401-Z3E-000	CLIP, TUBE(B1 5).....	2	91401-ZM3-003	SBT
	42	17519-ZM5-003	FITTING.....	1		SBT

NOTE A:PART NO. CHANGE D:NEWLY PROVIDED E:PART NO.DELETION K:REQUIRED NO. CORRECTION L:APPLICATION SERIAL NO. CORRECTION
M:PART DESCRIPTION CORRECTION T:APPLICATION CORRECTION Z:REMARKS CHANGE

PARTS CATALOGUE NEWS

BOOKNo. : 13Z3E602

Block No.	Ref. No.	Part No.	Description	Reqd. QTY	Base Part No.	Parts catalogue code
				GX 25 T		
E-27	1		COVER COMP., TOP *NH1*.....BLACK	0	19720-ZOH-000ZG	SBT
	2	90015-Z3E-900	BOLT, TOP COVER.....	1	90015-ZOH-003	SBT
E-28	9	87601-Z3E-U20	MARK, TYPE(SBT).....	1	87601-ZOH-900	SBT
	13	87519-Z6J-000	MARK, OPERATOR CAUTION (PICTOGRAPH)	1		SBT

NOTE A:PART NO. CHANGE D:NEWLY PROVIDED E:PART NO. DELETION K:REQUIRED NO. CORRECTION L:APPLICATION SERIAL NO. CORRECTION
M:PART DESCRIPTION CORRECTION T:APPLICATION CORRECTION Z:REMARKS CHANGE



PARTS CATALOGUE NEWS

Service Technology Department, Power Products Operations
Service Division, Honda Motor Co., Ltd.

PARTS CATALOGUE - CORRECTED

Printed in Japan

CODE NO.	13Z3E602
PARTS CATALOGUE NEWS	GX25T
NEWS NO.	014

Block No.	Ref. No.	Note	Part No.	Description	Reqd. QTY	Serial No.	Parts catalogue code
					GX 25 T		
E-10	5	M	14711-Z0H-800	VALVE, IN. (HI).....	1		
		T	14711-Z3E-000	VALVE, IN. (EI).....	1		
	6	M	14721-Z0H-800	VALVE, EX. (HE).....	1		
		T	14721-Z3E-000	VALVE, EX. (EE).....	1		

NOTE A:PART NO. CHANGE D:NEWLY PROVIDED E:PART NO. DELETION K:REQUIRED NO. CORRECTION L:APPLICATION SERIAL NO. CORRECTION
M:PART DESCRIPTION CORRECTION T:APPLICATION CORRECTION Z:REMARKS CHANGE



PARTS CATALOGUE NEWS

Service Technology Department, Power Products Operations
Service Division, Honda Motor Co., Ltd.

PARTS CATALOGUE - CORRECTED

Printed in Japan

CODE NO.	13Z3E602
PARTS CATALOGUE NEWS	GX25T
NEWS NO.	015

Block No.	Ref. No.	Note	Part No.	Description	Reqd. QTY	Serial No.	Parts catalogue code	
					GX 25 T			
E-7	2	E	13101-Z0H-000	*PART NO. DELETION				
		T	13101-Z0H-010	PISTON.....	1	----- 1114861	HAT, HET, HUT	
					1	----- 1147297	TESC, TEZ, TEZA, TEZE, TEZL, TEZR	
					1	----- 2565501	S4, SATM, SAU, SAUT, SD, SD2, SD2T, SDC, SDM, SDM1, SDT, SGT3, SGT9 SJ, SJD, SJS, SJT, SK, SKB, SKN, SKT, SMY, ST3E, ST4, SUT, TD, TGT9, TJ	
					1	----- 2571731	W3C, WAU, WD, WJ	
	4	E	13310-Z0H-020	*PART NO. DELETION				
		T	13310-Z0H-030	CRANKSHAFT COMP.....	1	----- 1114861	HAT, HET, HUT	
					1	----- 1147297	TESC, TEZ, TEZA, TEZE, TEZL, TEZR	
					1	----- 2565501	S4, SATM, SAU, SAUT, SD, SD2, SD2T, SDC, SDM, SDM1, SDT, SGT3, SGT9 SJ, SJD, SJS, SJT, SK, SKB, SKN, SKT, SMY, ST3E, ST4, SUT, TD, TGT9, TJ	
	E-15-1	8	E	17220-Z0H-010	*PART NO. DELETION			
D			17220-Z0H-020	CASE COMP., AIR CLEANER.....	1	----- -----	TESC	
9		E	17231-Z0H-000	*PART NO. DELETION				
		D	17231-Z0H-010	COVER, AIR CLEANER.....	1	----- -----	TESC	
E-16	3	E	18310-Z0H-820	*PART NO. DELETION				

NOTE A:PART NO. CHANGE D:NEWLY PROVIDED E:PART NO. DELETION K:REQUIRED NO. CORRECTION L:APPLICATION SERIAL NO. CORRECTION
M:PART DESCRIPTION CORRECTION T:APPLICATION CORRECTION Z:REMARKS CHANGE

PARTS CATALOGUE NEWS

BOOKNo. :13Z3E602

Block No.	Ref. No.	Note	Part No.	Description	Reqd. QTY		Serial No.	Parts catalogue code
					GX	25		
		D	18310-Z0H-821	MUFFLER COMP.....	1		-----	SATM, TD, TJ
		E	18310-Z0H-840	*PART NO. DELETION				
		D	18310-Z0H-841	MUFFLER COMP. (ARRESTER).....	(1)		-----	TD, TJ
	5	T	18350-Z0H-820	ARRESTER COMP. , SPARK.....	1		-----	SATM
					(1)		-----	TD, TJ

NOTE A:PART NO. CHANGE D:NEWLY PROVIDED E:PART NO. DELETION K:REQUIRED NO. CORRECTION L:APPLICATION SERIAL NO. CORRECTION
M:PART DESCRIPTION CORRECTION T:APPLICATION CORRECTION Z:REMARKS CHANGE

July 10, 2017



PARTS CATALOGUE NEWS

Service Technology Department, Power Products Operations
Service Division, Honda Motor Co., Ltd.

PARTS CATALOGUE - CORRECTED

Printed in Japan

CODE NO.	13Z3E602
PARTS CATALOGUE NEWS	GX25T
NEWS NO.	016

※The "Models, parts catalogue codes and applicable serial numbers" are corrected as follows.

Model	Type	Parts catalogue type	Applicable engine serial No.	Applicable carburetor identification No.	Model	Type	Parts catalogue type	Applicable engine serial No.	Applicable carburetor identification No.
GX25T	HAT	HAT	GCANT-1000001~	WYB 6D	GX25T	SKN	SKN	GCALT-1000001~	WYB 11A
	HET	HET	GCANT-3000001~			WYB 8A			
	HUT	HUT	GCANT-2000001~	WYB 7C		SMY	SMY		WYB 7C
	SATM	SATM	GCALT-1000001~			SUT	SUT		WYB 11A
	SAU	SAU				TD	TD		GCAPT-1000001~
	SAUT	SAUT				TESC	TESC		
	SD	SD		TEZ	TEZ	WYB 8A			
	SD2	SD2		TEZA	TEZA	WYB 19B			
	SDM	SDM		TEZE	TEZE				
	SDM1	SDM1		TEZL	TEZL	GCALT-1000001~	WYB 11A		
	SDT	SDT		TEZR	TEZR				
	SJ	SJ		TJ	TJ			WYB 21A/B	
	SJD	SJD		WJU	WJU			WYB 10A	
	SJS	SJS	WD	WD					
	SJT	SJT	WJ	WJ					
	SK	SK			S4	S4	WYB 6F		

NOTE A:PART NO. CHANGE D:NEWLY PROVIDED E:PART NO. DELETION K:REQUIRED NO. CORRECTION L:APPLICATION SERIAL NO. CORRECTION
M:PART DESCRIPTION CORRECTION T:APPLICATION CORRECTION Z:REMARKS CHANGE

PARTS CATALOGUE NEWS

BOOKNo. :13Z3E602

Block No.	Ref. No.	Note	Part No.	Description	Reqd. QTY		Serial No.	Parts catalogue code
					GX	25		
E-14	5		16015-Z0H-013	BODY ASSY., PUMP.....	1			HET, HUT, S4, SATM, SAU, SAUT, SD, SD2, SD2T, SDC, SDM, HET, HUT, S4 SATM, SAU, SAUT, SD, SD2, SD2T, SDC, SDM, ST3E, ST4, SUT, TD, TESC TEZ, TEZA, TEZE, TEZL, TEZR, TGT9, TJ, WAU, WD, WJ
				(CARBURETOR NO.)	1		WYB 6F	HAT
				(CARBURETOR NO.)	1		WYB 21B	W3C
		A	16015-Z6J-013 (CARBURETOR NO.)	1		WYB 34A	HAT
	23	L	16100-Z0H-043	CARBURETOR ASSY. (WYB 6D).....	1		1026670	HAT
					1		3006400	HET
		L	16100-Z0H-053	CARBURETOR ASSY. (WYB 6F).....	1			S4, SGT3, SGT9, ST3E, ST4, TGT9
					1		2121630	SDC
					1		1026671	1158553 HAT
					1		1653998	SD, SD2, SD2T, SDM, SDM1, SDT, SJ, SJD, SJS, SJT, SK, SKN, SKT, SMY, TD TJ
					1		3006401	HET
		D	16100-Z6J-013	CARBURETOR ASSY. (WYB 34A).....	1		1158554	HAT
	27	L	19631-Z0H-000	SHROUD.....	1			HUT
					1		1158553	HAT
					1		1164105	TESC, TEZ, TEZA, TEZE, TEZL, TEZR
					1		3011889	S4, SATM, SAU, SAUT, SD, SD2, SD2T, SDC, SDM, SDM1, SDT, SGT3, SGT9 SJ, SJD, SJS, SJT, SK, SKB, SKN, SKT, SMY, ST3E, ST4, SUT, TD, TGT9, TJ W3C, WAU, WD, WJ
					1		3017922	HET
		T	19631-Z0H-010	1			SBT
					1		1158554	HAT
					1		1164106	TESC, TEZ, TEZA, TEZE, TEZL, TEZR

NOTE A:PART NO. CHANGE D:NEWLY PROVIDED E:PART NO. DELETION K:REQUIRED NO. CORRECTION L:APPLICATION SERIAL NO. CORRECTION
M:PART DESCRIPTION CORRECTION T:APPLICATION CORRECTION Z:REMARKS CHANGE

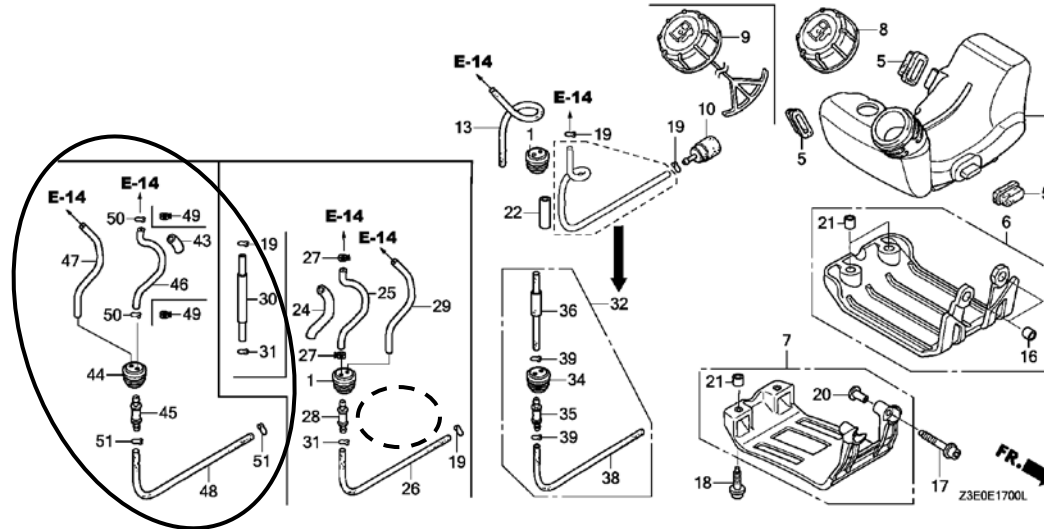
PARTS CATALOGUE NEWS

BOOKNo. :13Z3E602

Block No.	Ref. No.	Note	Part No.	Description	Reqd. QTY		Serial No.	Parts catalogue code
					GX	25		
					1		3011890	S4, SATM, SAU, SAUT, SD, SD2, SD2T, SDC, SDM, SDM1, SDT, SGT3, SGT9 S.J, S.JD, S.JS, S.JT, SK, SKB, SKN, SKT, SMY, ST3E, ST4, SUT, TD, TGT9, TJ W3C, WAU, WD, WJ
					1		3017923	HET

E-17 FUEL TANK (1)

Ref. No.	(Relative ref. Number) Description	FRT
1	(32, 34, 44)	
3101J0	GROMMET, FUEL TUBE	0.2
8	(9)	
3101M7	CAP, FUEL FILLER	0.1
13	(25, 29, 30, 36, 46, 47)	
3101L8	TUBE, FUEL RETURN	0.2
26	(38, 48)	
3101F1	TUBE, FUEL TANK	0.2



E-17	1	T	17504-ZM3-003	GROMMET, FUEL TUBE.....	1			HUT
					1		1158553	HAT, HET, HUT
					1		3011889	S4, SATM, SAU, SAUT, SD, SD2, SD2T, SDC, SDM, SDM1, SDT, SGT3, SGT9 S.J, S.JD, S.JS, S.JT, SK, SKN, SKT, SMY, ST3E, ST4, SUT, W3C, WAU, WD, WJ
					1		3017922	HET
	2	L	17511-Z0H-023	TANK, FUEL.....	1			HET, HUT, S4, SATM, SAU, SAUT, SD, SD2, SD2T, SDC, SDM, SDM1, SDT SGT3, SGT9, S.J, S.JD, S.JS, S.JT, SK, SKN, SKT, SMY, ST3E, ST4, SUT, W3C WAU, WD, WJ
					1		1007683	HAT
		L	17511-Z6J-830	1			W3C

NOTE A:PART NO. CHANGE D:NEWLY PROVIDED E:PART NO. DELETION K:REQUIRED NO. CORRECTION L:APPLICATION SERIAL NO. CORRECTION
M:PART DESCRIPTION CORRECTION T:APPLICATION CORRECTION Z:REMARKS CHANGE

PARTS CATALOGUE NEWS

BOOKNo. :13Z3E602

Block No.	Ref. No.	Note	Part No.	Description	Reqd. QTY		Serial No.	Parts catalogue code
					GX	25		
					1		1026669 1158553	HAT
		D	17511-Z6J-831	1		1158554 -----	HAT
	5	T	17533-Z0H-000	RUBBER, TANK MOUNTING.....	3		-----	HAT, HET, HUT, S4, SATM, SAU, SAUT, SD, SD2, SD2T, SDC, SDM, SDM1, SDT SGT3, SGT9, SJ, SJD, SJS, SJT, SK, SKN, SKT, SMY, ST3E, ST4, SUT, W3C WAU, WD, WJ
	7	T	17555-Z0H-010	GUARD, TANK.....	1		-----	SATM, SAUT, SD2T, SDT, SGT3, SGT9, SJT, SKT, SMY, ST3E, ST4, SUT
	9	T	17620-ZM3-817	CAP ASSY., FUEL TANK.....	1		-----	HAT, HET, HUT, S4, SGT3, SGT9, ST3E, ST4, W3C
	10	T	17672-Z0H-003	FILTER, FUEL.....	1		-----	HAT, HET, HUT, S4, SATM, SAU, SAUT, SD, SD2, SD2T, SDC, SDM, SDM1, SDT SGT3, SGT9, SJ, SJD, SJS, SJT, SK, SKN, SKT, SMY, ST3E, ST4, SUT, W3C WAU, WD, WJ
	17	E	90010-Z3E-901	*PART NO. DELETION				
	18	E	90018-Z3E-901	*PART NO. DELETION				
	19	E	91401-Z3E-000	*PART NO. DELETION				
		L	91401-ZM3-003	CLIP, TUBE.....	2		-----	HUT
					2		----- 1059955	HAT
					2		----- 3011889	S4, SATM, SAU, SAUT, SD, SD2, SD2T, SDC, SDM, SDM1, SDT, SGT3, SGT9 SJ, SJD, SJS, SJT, SK, SKN, SKT, SMY, ST3E, ST4, SUT, WAU, WD, WJ
					1		----- 3011889	W3C
	20	T	91501-Z0H-000	COLLAR, TANK GUARD.....	2		-----	SATM, SAUT, SD2T, SDT, SGT3, SGT9, SJT, SKT, SMY, ST3E, ST4, SUT
	21	T	91506-ZM3-000	COLLAR A, HEAD COVER.....	2		-----	HAT, HET, HUT, SATM, SAUT, SD2T, SDT, SGT3, SGT9, SJT, SKT, SMY, ST3E ST4, SUT
	24	L	16865-Z6J-000	PROTECTOR, TUBE.....	1		1059956 1158553	HAT
		E	16865-Z6J-010	*PART NO. DELETION				
		L	16865-Z6K-000	1		----- 3011889	W3C
	25	E	17701-Z0H-801	*PART NO. DELETION				
		L	17701-Z6J-003	TUBE, FUEL.....	1		----- 3011889	W3C
					1		1059956 1158553	HAT

NOTE A:PART NO. CHANGE D:NEWLY PROVIDED E:PART NO.DELETION K:REQUIRED NO. CORRECTION L:APPLICATION SERIAL NO. CORRECTION
M:PART DESCRIPTION CORRECTION T:APPLICATION CORRECTION Z:REMARKS CHANGE

PARTS CATALOGUE NEWS

BOOKNo. :13Z3E602

Block No.	Ref. No.	Note	Part No.	Description	Reqd. QTY		Serial No.	Parts catalogue code
					GX	25		
	26	L	17703-Z0H-J71	TUBE A, FUEL.....	1		----- 3011889	W3C
					1		1059956 1158553	HAT
					1		2308815 3011889	S4, SATM, SAU, SAUT, SD, SD2, SD2T, SDC, SDM, SDM1, SDT, SGT3, SGT9 S.J, S.JD, S.JS, S.JT, SK, SKN, SKT, SMY, ST3E, ST4, SUT, WAU, WD, WJ
					1		3012801 3017922	HET
	27	L	90601-Z6J-003	CLAMP, TUBE.....	2		----- 3011889	W3C
					2		1059956 1158553	HAT
	28	L	17519-Z6J-003	JOINT, FUEL TANK.....	1		----- 3011889	W3C
					1		1059956 1158553	HAT
		L	17519-ZM5-003	FITTING.....	1		2308815 3011889	S4, SATM, SAU, SAUT, SD, SD2, SD2T, SDC, SDM, SDM1, SDT, SGT3, SGT9 S.J, S.JD, S.JS, S.JT, SK, SKN, SKT, SMY, ST3E, ST4, SUT, WAU, WD, WJ
					1		3012801 3017922	HET
	29	L	17702-Z0H-003	TUBE, FUEL RETURN.....	1		----- 3011889	W3C
					1		1059956 1158553	HAT
					1		2308815 3011889	S4, SATM, SAU, SAUT, SD, SD2, SD2T, SDC, SDM, SDM1, SDT, SGT3, SGT9 S.J, S.JD, S.JS, S.JT, SK, SKN, SKT, SMY, ST3E, ST4, SUT, WAU, WD, WJ
					1		3012801 3017922	HET
		E	17702-Z3E-D11	*PART NO. DELETION				
	30	L	17701-Z0H-800	TUBE COMP., FUEL FEED.....	1		2308815 3011889	S4, SATM, SAU, SAUT, SD, SD2, SD2T, SDC, SDM, SDM1, SDT, SGT3, SGT9 S.J, S.JD, S.JS, S.JT, SK, SKN, SKT, SMY, ST3E, ST4, SUT, WAU, WD, WJ
					1		3012801 3017922	HET
	31	E	91401-Z3E-000	*PART NO. DELETION				
		L	91401-ZM3-003	CLIP, TUBE.....	1		----- 3011889	W3C
					1		1059956 1158553	HAT
					2		2308815 3011889	S4, SATM, SAU, SAUT, SD, SD2, SD2T, SDC, SDM, SDM1, SDT, SGT3, SGT9 S.J, S.JD, S.JS, S.JT, SK, SKN, SKT, SMY, ST3E, ST4, SUT, WAU, WD, WJ
					2		3012801 3017922	HET

NOTE A:PART NO. CHANGE D:NEWLY PROVIDED E:PART NO. DELETION K:REQUIRED NO. CORRECTION L:APPLICATION SERIAL NO. CORRECTION
M:PART DESCRIPTION CORRECTION T:APPLICATION CORRECTION Z:REMARKS CHANGE

PARTS CATALOGUE NEWS

BOOKNo. :13Z3E602

Block No.	Ref. No.	Note	Part No.	Description	Reqd. QTY		Serial No.	Parts catalogue code
					GX 25 I			
	32	T	17700-Z0H-305	GROMMET ASSY., FUEL TANK.	1		-----	HUT
					1		-----	1059955 HAT
					1		-----	2308814 S4, SATM, SAU, SAUT, SD, SD2, SD2T, SDC, SDM, SDM1, SDT, SGT3, SGT9 SJ, SJD, SJS, SJT, SK, SKN, SKT, SMY, ST3E, ST4, SUT, WAU, WD, WJ
					1		-----	3012800 HET
	34	T	17504-ZM3-003	GROMMET, FUEL TUBE.	(1)		-----	HUT
					(1)		-----	1059955 HAT
					(1)		-----	2308814 S4, SATM, SAU, SAUT, SD, SD2, SD2T, SDC, SDM, SDM1, SDT, SGT3, SGT9 SJ, SJD, SJS, SJT, SK, SKN, SKT, SMY, ST3E, ST4, SUT, WAU, WD, WJ
					(1)		-----	3012800 HET
	35	T	17519-ZM5-003	FITTING.	(1)		-----	HUT
					(1)		-----	1059955 HAT
					(1)		-----	2308814 S4, SATM, SAU, SAUT, SD, SD2, SD2T, SDC, SDM, SDM1, SDT, SGT3, SGT9 SJ, SJD, SJS, SJT, SK, SKN, SKT, SMY, ST3E, ST4, SUT, WAU, WD, WJ
					(1)		-----	3012800 HET
	36	T	17701-Z0H-800	TUBE COMP., FUEL FEED.	(1)		-----	HUT
					(1)		-----	1059955 HAT
					(1)		-----	2308814 S4, SATM, SAU, SAUT, SD, SD2, SD2T, SDC, SDM, SDM1, SDT, SGT3, SGT9 SJ, SJD, SJS, SJT, SK, SKN, SKT, SMY, ST3E, ST4, SUT, WAU, WD, WJ
					(1)		-----	3012800 HET
	38	T	17703-Z0H-J71	TUBE A, FUEL.	(1)		-----	HUT
					(1)		-----	1059955 HAT
					(1)		-----	2308814 S4, SATM, SAU, SAUT, SD, SD2, SD2T, SDC, SDM, SDM1, SDT, SGT3, SGT9 SJ, SJD, SJS, SJT, SK, SKN, SKT, SMY, ST3E, ST4, SUT, WAU, WD, WJ
					(1)		-----	3012800 HET
	39	T	91401-ZM3-003	CLIP, TUBE.	(2)		-----	HUT
					(2)		-----	1059955 HAT

NOTE A:PART NO. CHANGE D:NEWLY PROVIDED E:PART NO. DELETION K:REQUIRED NO. CORRECTION L:APPLICATION SERIAL NO. CORRECTION
M:PART DESCRIPTION CORRECTION T:APPLICATION CORRECTION Z:REMARKS CHANGE

PARTS CATALOGUE NEWS

BOOKNo. :13Z3E602

Block No.	Ref. No.	Note	Part No.	Description	Reqd. QTY		Serial No.	Parts catalogue code
					GX 25 T			
					(2)		----- 2308814	S4, SATM, SAU, SAUT, SD, SD2, SD2T, SDC, SDM, SDM1, SDT, SGT3, SGT9 SJ, SJD, SJS, SJT, SK, SKN, SKT, SMY, ST3E, ST4, SUT, WAU, WD, WJ
					(2)		----- 3012800	HET
	42	E	17519-ZM5-003	*PART NO. DELETION				
	43	D	16865-Z6J-010	PROTECTOR, TUBE.....	1		1158554 -----	HAT
					1		3011890 -----	S4, SATM, SAU, SAUT, SD, SD2, SD2T, SDC, SDM, SDM1, SDT, SGT3, SGT9 SJ, SJD, SJS, SJT, SK, SKN, SKT, SMY, ST3E, ST4, SUT, W3C, WAU, WD, WJ
					1		3017923 -----	HET
	44	D	17504-ZM3-003	GROMMET, FUEL TUBE.....	1		1158554 -----	HAT
					1		3011890 -----	S4, SATM, SAU, SAUT, SD, SD2, SD2T, SDC, SDM, SDM1, SDT, SGT3, SGT9 SJ, SJD, SJS, SJT, SK, SKN, SKT, SMY, ST3E, ST4, SUT, W3C, WAU, WD, WJ
					1		3017923 -----	HET
	45	D	17519-Z6J-003	JOINT, FUEL TANK.....	1		1158554 -----	HAT
		D	17519-ZM5-003	FITTING.....	1		3011890 -----	S4, SATM, SAU, SAUT, SD, SD2, SD2T, SDC, SDM, SDM1, SDT, SGT3, SGT9 SJ, SJD, SJS, SJT, SK, SKN, SKT, SMY, ST3E, ST4, SUT, W3C, WAU, WD, WJ
					1		3017923 -----	HET
	46	D	17701-Z0H-801	TUBE, FUEL FEED.....	1		3011890 -----	S4, SATM, SAU, SAUT, SD, SD2, SD2T, SDC, SDM, SDM1, SDT, SGT3, SGT9 SJ, SJD, SJS, SJT, SK, SKN, SKT, SMY, ST3E, ST4, SUT, W3C, WAU, WD, WJ
					1		3017923 -----	HET
		D	17701-Z6J-013	TUBE, FUEL.....	1		1158554 -----	HAT
	47	D	17702-Z0H-003	TUBE, FUEL RETURN.....	1		1158554 -----	HAT
					1		3011890 -----	S4, SATM, SAU, SAUT, SD, SD2, SD2T, SDC, SDM, SDM1, SDT, SGT3, SGT9 SJ, SJD, SJS, SJT, SK, SKN, SKT, SMY, ST3E, ST4, SUT, W3C, WAU, WD, WJ
					1		3017923 -----	HET
	48	D	17703-Z0H-J71	TUBE A, FUEL.....	1		1158554 -----	HAT
					1		3011890 -----	S4, SATM, SAU, SAUT, SD, SD2, SD2T, SDC, SDM, SDM1, SDT, SGT3, SGT9 SJ, SJD, SJS, SJT, SK, SKN, SKT, SMY, ST3E, ST4, SUT, W3C, WAU, WD, WJ

NOTE A:PART NO. CHANGE D:NEWLY PROVIDED E:PART NO. DELETION K:REQUIRED NO. CORRECTION L:APPLICATION SERIAL NO. CORRECTION
M:PART DESCRIPTION CORRECTION T:APPLICATION CORRECTION Z:REMARKS CHANGE

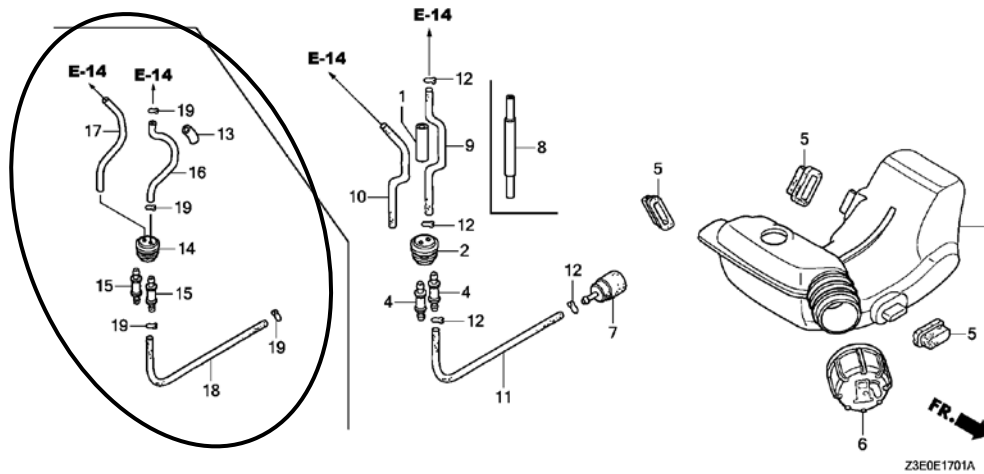
PARTS CATALOGUE NEWS

BOOKNo. :13Z3E602

Block No.	Ref. No.	Note	Part No.	Description	Reqd. QTY		Serial No.	Parts catalogue code
					GX	25		
					1		3017923	HET
	49	D	90601-Z6J-801	CLAMP, TUBE (D5. 5).....	2		1158554	HAT
	50	D	91401-Z3E-000	CLIP, TUBE (B1 5).....	2		3011890	S4, SATM, SAU, SAUT, SD, SD2, SD2T, SDC, SDM, SDM1, SDT, SGT3, SGT9 SJ, SJD, SJS, SJT, SK, SKN, SKT, SMY, ST3E, ST4, SUT, W3C, WAU, WD, WJ
					2		3017923	HET
	51	D	91401-Z3E-000	CLIP, TUBE (B1 5).....	2		1158554	HAT
					2		3011890	S4, SATM, SAU, SAUT, SD, SD2, SD2T, SDC, SDM, SDM1, SDT, SGT3, SGT9 SJ, SJD, SJS, SJT, SK, SKN, SKT, SMY, ST3E, ST4, SUT, W3C, WAU, WD, WJ
					2		3017923	HET

E-17-1 FUEL TANK (2)

Ref. No.	(Relative ref. Number)	Description	FRT
2	(14)		
3101J0		GROMMET, FUEL TUBE	0.2
6 3101M7		CAP, FUEL FILLER	0.1
10	(8, 9, 16, 17)		
3101L8		TUBE, FUEL RETURN	0.2
11	(18)		
3101F1		TUBE, FUEL TANK	0.2



E-17-1	2	L	17504-ZM3-003	GROMMET, FUEL TUBE.....	1	-----	1164105	TESC, TEZ, TEZA, TEZE, TEZL, TEZR
					1	-----	3011889	TD, TGT9, TJ
	4	L	17519-ZM5-003	FITTING.....	2	-----	1164105	TESC, TEZ, TEZA, TEZE, TEZL, TEZR
					2	-----	3011889	TD, TGT9, TJ

NOTE A:PART NO. CHANGE D:NEWLY PROVIDED E:PART NO. DELETION K:REQUIRED NO. CORRECTION L:APPLICATION SERIAL NO. CORRECTION
M:PART DESCRIPTION CORRECTION T:APPLICATION CORRECTION Z:REMARKS CHANGE

PARTS CATALOGUE NEWS

BOOKNo. :13Z3E602

Block No.	Ref. No.	Note	Part No.	Description	Reqd. QTY		Serial No.	Parts catalogue code
					GX	25		
	8	L	17701-Z0H-800	TUBE COMP., FUEL FEED.....	1		----- 3011889	TGT9
					1		1134218 3011889	TD, TJ
					1		1137838 1164105	TESC, TEZ, TEZA, TEZE, TEZL, TEZR
	10	L	17702-Z0H-821	TUBE, FUEL RETURN.....	1		----- 1164105	TESC, TEZ, TEZA, TEZE, TEZL, TEZR
					1		----- 3011889	TGT9
					1		1002909 3011889	TD, TJ
	11	L	17703-Z0H-821	TUBE A, FUEL.....	1		----- 1164105	TESC, TEZ, TEZA, TEZE, TEZL, TEZR
					1		----- 3011889	TGT9
					1		1002909 3011889	TD, TJ
	12	L	91401-ZM3-003	CLIP, TUBE.....	4		----- 1164105	TESC, TEZ, TEZA, TEZE, TEZL, TEZR
					4		----- 3011889	TD, TGT9, TJ
	13	D	16865-Z6J-010	PROTECTOR, TUBE.....	1		1164106 -----	TESC, TEZ, TEZA, TEZE, TEZL, TEZR
					1		3011890 -----	TD, TGT9, TJ
	14	D	17504-ZM3-003	GROMMET, FUEL TUBE.....	1		1164106 -----	TESC, TEZ, TEZA, TEZE, TEZL, TEZR
					1		3011890 -----	TD, TGT9, TJ
	15	D	17519-ZM5-003	FITTING.....	2		1164106 -----	TESC, TEZ, TEZA, TEZE, TEZL, TEZR
					2		3011890 -----	TD, TGT9, TJ
	16	D	17701-Z0H-801	TUBE, FUEL FEED.....	1		1164106 -----	TESC, TEZ, TEZA, TEZE, TEZL, TEZR
					1		3011890 -----	TD, TGT9, TJ
	17	D	17702-Z6K-003	TUBE, FUEL RETURN.....	1		1164106 -----	TESC, TEZ, TEZA, TEZE, TEZL, TEZR
					1		3011890 -----	TD, TGT9, TJ
	18	D	17703-Z0H-821	TUBE A, FUEL.....	1		1164106 -----	TESC, TEZ, TEZA, TEZE, TEZL, TEZR
					1		3011890 -----	TD, TGT9, TJ
	19	D	91401-Z3E-000	CLIP, TUBE (B1 5).....	4		1164106 -----	TESC, TEZ, TEZA, TEZE, TEZL, TEZR

NOTE A:PART NO. CHANGE D:NEWLY PROVIDED E:PART NO. DELETION K:REQUIRED NO. CORRECTION L:APPLICATION SERIAL NO. CORRECTION
M:PART DESCRIPTION CORRECTION T:APPLICATION CORRECTION Z:REMARKS CHANGE

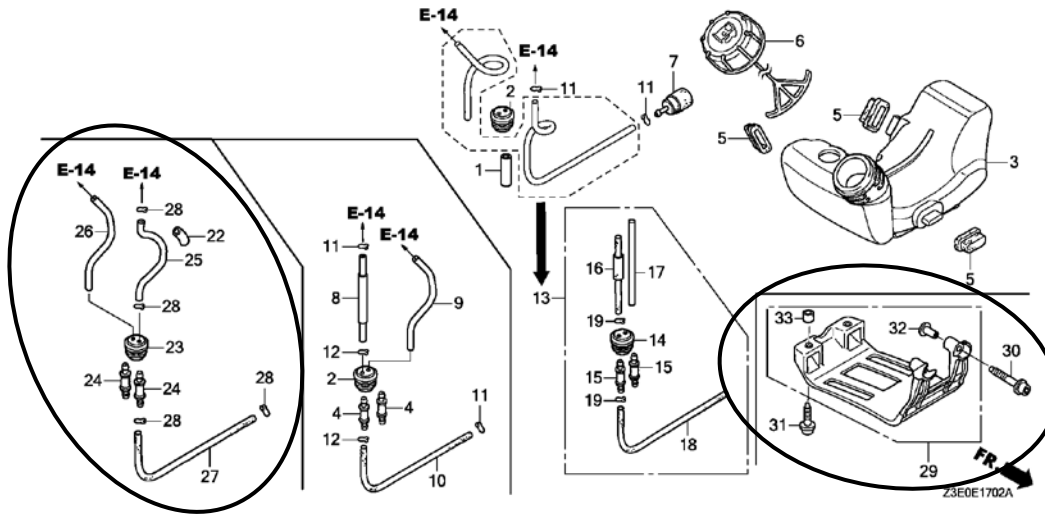
PARTS CATALOGUE NEWS

BOOKNo. :13Z3E602

Block No.	Ref. No.	Note	Part No.	Description	Reqd. QTY	Serial No.	Parts catalogue code
					6X 25 1 4		
						3011890 -----	TD, TGT9, TJ

E-17-2 FUEL TANK (3)

Ref. No.	(Relative ref. Number) Description	FRT
2	(14, 23) 3101J0 GROMMET, FUEL TUBE	0.2
6	3101M7 CAP, FUEL FILLER	0.1
9	(8, 16, 17, 25, 26) 3101L8 TUBE, FUEL RETURN	0.2
10	(18, 27) 3101F1 TUBE, FUEL TANK	0.2



E-17-2	2	L	17504-ZM3-003	GROMMET, FUEL TUBE.....	1	-----	3011889	SKB
	3	T	17511-Z0H-023	TANK, FUEL.....	1	-----	-----	SBT, SKB
	4	L	17519-ZM5-003	FITTING.....	2	2308815	3011889	SKB
	5	T	17533-Z0H-000	RUBBER, TANK MOUNTING.....	3	-----	-----	SBT, SKB
	6	T	17620-ZM3-817	CAP ASSY., FUEL TANK.....	1	-----	-----	SBT, SKB
	7	T	17672-Z0H-003	FILTER, FUEL.....	1	-----	-----	SBT, SKB
	8	L	17701-Z0H-800	TUBE COMP., FUEL FEED.....	1	2308815	3011889	SKB
	9	L	17702-Z3E-D10	TUBE, FUEL RETURN.....	1	2308815	3011889	SKB
	10	L	17703-Z0H-J71	TUBE A, FUEL.....	1	2308815	3011889	SKB
	11	L	91401-ZM3-003	CLIP, TUBE.....	2	-----	3011889	SKB
	12	L	91401-ZM3-003	CLIP, TUBE.....	2	2308815	3011889	SKB

NOTE A:PART NO. CHANGE D:NEWLY PROVIDED E:PART NO. DELETION K:REQUIRED NO. CORRECTION L:APPLICATION SERIAL NO. CORRECTION
M:PART DESCRIPTION CORRECTION T:APPLICATION CORRECTION Z:REMARKS CHANGE

PARTS CATALOGUE NEWS

BOOKNo. :13Z3E602

Block No.	Ref. No.	Note	Part No.	Description	Reqd. QTY		Serial No.	Parts catalogue code
					GX	25		
	22	D	16865-Z6J-010	PROTECTOR, TUBE.....	2		-----	SBT
					1	3011890	-----	SKB
	23	D	17504-ZM3-003	GROMMET, FUEL TUBE.....	1		-----	SBT
					1	3011890	-----	SKB
	24	D	17519-ZM5-003	FITTING.....	2		-----	SBT
					2	3011890	-----	SKB
	25	D	17701-Z0H-801	TUBE, FUEL FEED.....	1		-----	SBT
					1	3011890	-----	SKB
	26	D	17702-Z3E-D11	TUBE, FUEL RETURN.....	1		-----	SBT
					1	3011890	-----	SKB
	27	D	17703-Z0H-J71	TUBE A, FUEL.....	1		-----	SBT
					1	3011890	-----	SKB
	28	D	91401-Z3E-000	CLIP, TUBE (B1 5).....	4		-----	SBT
					4	3011890	-----	SKB
	29	D	17555-Z0H-010	GUARD, TANK.....	1		-----	SBT
	30	D	90010-Z3E-901	BOLT, SOCKET, 5X30.....	2		-----	SBT
	31	D	90018-Z3E-901	BOLT, SOCKET, 5X16.....	2		-----	SBT
	32	D	91501-Z0H-000	COLLAR, TANK GUARD.....	2		-----	SBT
	33	D	91506-ZM3-000	COLLAR A, HEAD COVER.....	2		-----	SBT

NOTE A:PART NO. CHANGE D:NEWLY PROVIDED E:PART NO. DELETION K:REQUIRED NO. CORRECTION L:APPLICATION SERIAL NO. CORRECTION
M:PART DESCRIPTION CORRECTION T:APPLICATION CORRECTION Z:REMARKS CHANGE



PARTS CATALOGUE NEWS

Service Technology Department, Power Products Operations
Service Division, Honda Motor Co., Ltd.

Printed in Japan

CODE NO.	13Z3E602
PARTS CATALOGUE NEWS	GX25T
NEWS NO.	017

GX25T-SATS TYPE sales parts information

NOTE: This Parts Catalogue News explains only the parts of the different model that are produced to conform to addition of the GX25T-SATS type.

As for the parts not listed on this Parts Catalogue News, use the parts of the GX25T-SATM type.

•Models, parts catalogue codes and applicable serial numbers

Model	Type		Parts catalogue type	Applicable engine serial No.	Applicable carburetor identification No.
GX25T	SATM	Base type	SATM	GCALT-1000001~	WYB 7C WYB 7E
	SATS	Additional type	SATS		WYB 17B/C

BOOKNo. : 13Z3E602

•Features of each type		Base type	Additional type
Specifications	Model	GX25T	
	Type	SATM	SATS
Clutch		●	
P.T.O. shaft			
Arrester		●	
Exhaust baffle			●
Tank guard		●	
Engine stop switch			

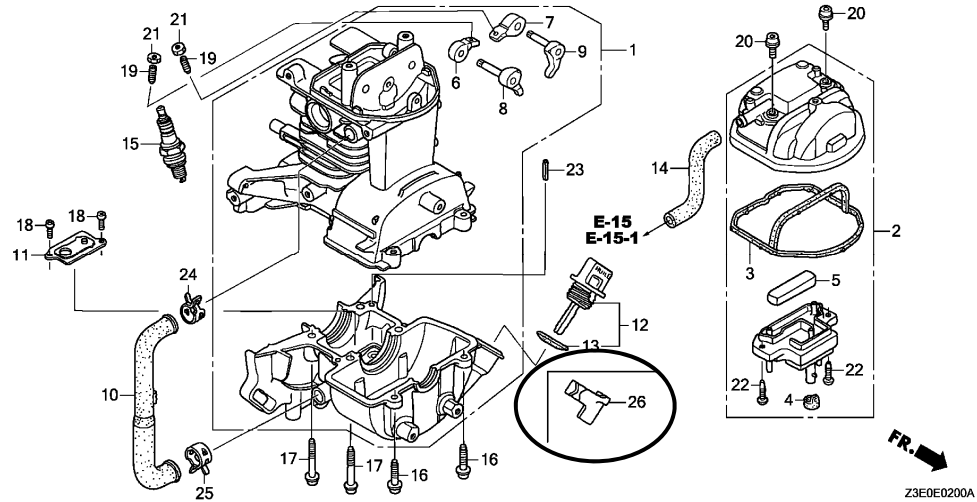
NOTE A:PART NO. CHANGE D:NEWLY PROVIDED E:PART NO. DELETION K:REQUIRED NO. CORRECTION L:APPLICATION SERIAL NO. CORRECTION
M:PART DESCRIPTION CORRECTION T:APPLICATION CORRECTION Z:REMARKS CHANGE

PARTS CATALOGUE NEWS

BOOKNo. : 13Z3E602

Block No.	Ref. No.	Part No.	Description	Reqd. QTY GX 25 T	Base Part No.	Parts catalogue code
-----------	----------	----------	-------------	----------------------------	---------------	----------------------

E-2 CRANKCASE SET



E-2	14	15721-Z0H-820	TUBE, BREATHER.....	1	15721-Z0H-000	SATS
	16	90009-Z3E-901	BOLT, SOCKET, 5X20.....	2	90009-Z0H-003	SATS
	26	11218-Z0H-K00	CLAMP, HEAT PROTECTOR.....	1		SATS
E-7	1	13010-Z3E-003	RING SET, PISTON(TPR).....	1		SATS
E-10	8	14771-Z3F-000	RETAINER, VALVE SPRING.....	2	14771-Z0H-000	SATS
E-11	1	28400-Z3E-M01	STARTER ASSY., RECOIL.....	1	28400-Z0H-003	SATS
	9	28461-Z3F-M01	KNOB, RECOIL STARTER.....	1	28461-ZM3-003	SATS
	12	90018-Z3E-901	BOLT, SOCKET, 5X16.....	3		SATS
			BOLT, SOCKET, 5X16.....	0	90018-Z0H-003	SATS
E-12	2		COVER, FAN.....	0	19611-Z0H-000	SATS
	3		CLUTCH ASSY.....	0	22000-ZM3-003	SATS
	4		BOLT, CLUTCH(6MM).....	0	22253-Z3E-000	SATS

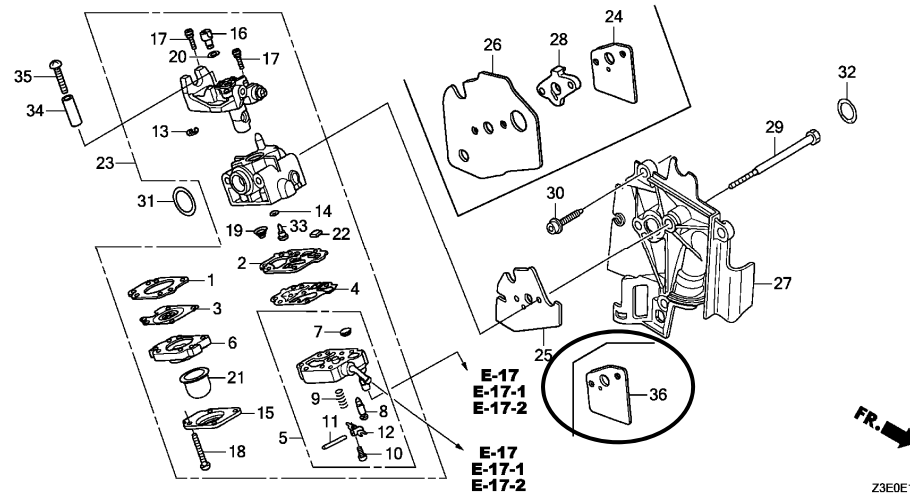
NOTE A:PART NO. CHANGE D:NEWLY PROVIDED E:PART NO.DELETION K:REQUIRED NO. CORRECTION L:APPLICATION SERIAL NO. CORRECTION
M:PART DESCRIPTION CORRECTION T:APPLICATION CORRECTION Z:REMARKS CHANGE

BOOKNo. : 13Z3E602

Block No.	Ref. No.	Part No.	Description	Reqd. QTY		Parts catalogue code
				GX 25 T	Base Part No.	
	5		WASHER, CLUTCH (6X15).....	0	22254-Z3E-000	SATS
	6		WASHER, WAVE (8MM).....	0	22255-Z3E-000	SATS
	8		BOLT, SOCKET, 5X20.....	0	90009-Z0H-003	SATS

E-14 CARBURETOR

Ref. No.	(Relative ref. Number)	Description	FRT
25	(24, 36)	PACKING, CARBURETOR	0.2



E-14	23	16100-Z0H-K14	CARBURETOR ASSY. (WYB 17B/C)...	1	16100-Z0H-805	SATS
	25		PACKING, CARBURETOR.....	0	16221-Z0H-000	SATS
	30	90018-Z3E-901	BOLT, SOCKET, 5X16.....	3	90018-Z0H-003	SATS
	36	16224-Z0H-K00	PACKING, CARBURETOR.....	1		SATS
E-15	1		PLATE, OIL TRAP.....	0	17204-Z0H-000	SATS
	2		ELEMENT, AIR CLEANER.....	0	17211-Z0H-000	SATS
	3		CASE COMP., AIR CLEANER.....	0	17220-Z0H-020	SATS
	4		COVER, AIR CLEANER.....	0	17231-Z0H-000	SATS
	5		NUT, FLANGE, 5MM.....	0	94050-05000	SATS

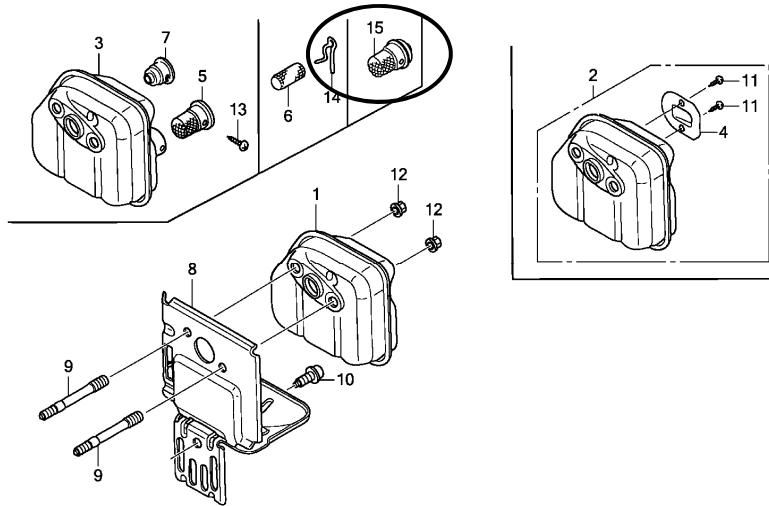
NOTE A:PART NO. CHANGE D:NEWLY PROVIDED E:PART NO.DELETION K:REQUIRED NO. CORRECTION L:APPLICATION SERIAL NO. CORRECTION
M:PART DESCRIPTION CORRECTION T:APPLICATION CORRECTION Z:REMARKS CHANGE

BOOKNo. : 13Z3E602

Block No.	Ref. No.	Part No.	Description	Reqd. QTY	Base Part No.	Parts catalogue code
				GX 25 T		
E-15-1	1	17204-Z0H-800	PLATE, OIL TRAP.....	1	SATS	
	2	17211-Z0H-800	ELEMENT, AIR CLEANER.....	1	SATS	
	3	17220-Z0H-802	CASE COMP., AIR CLEANER.....	1	SATS	
	4	17231-Z0H-802	COVER, AIR CLEANER.....	1	SATS	
	5	94050-05000	NUT, FLANGE, 5MM.....	2	SATS	
	12	91503-ZM3-000	COLLAR, AIR CLEANER.....	2	SATS	

E-16 MUFFLER

Ref. No.	(Relative ref. Number)	Description	FRT
15	3131F6	BAFFLE, EXHAUST	0.1



FR. Z3E0E1600A

E-16	5	ARRESTER COMP., SPARK.....	0	18350-Z0H-820	SATS
	7	FLANGE, BAFFLE.....	0	18366-Z0H-820	SATS
	8	GUIDE, AIR EX.....	0	18515-Z0H-000	SATS
	10	BOLT, SOCKET, 5X10 (CT).....	0	90011-Z0H-003	SATS
	15	18350-Z0H-K00	BAFFLE COMP., EXHAUST.....	1	SATS
E-17	7	GUARD, TANK.....	0	17555-Z0H-010	SATS

NOTE A:PART NO. CHANGE D:NEWLY PROVIDED E:PART NO.DELETION K:REQUIRED NO. CORRECTION L:APPLICATION SERIAL NO. CORRECTION
M:PART DESCRIPTION CORRECTION T:APPLICATION CORRECTION Z:REMARKS CHANGE

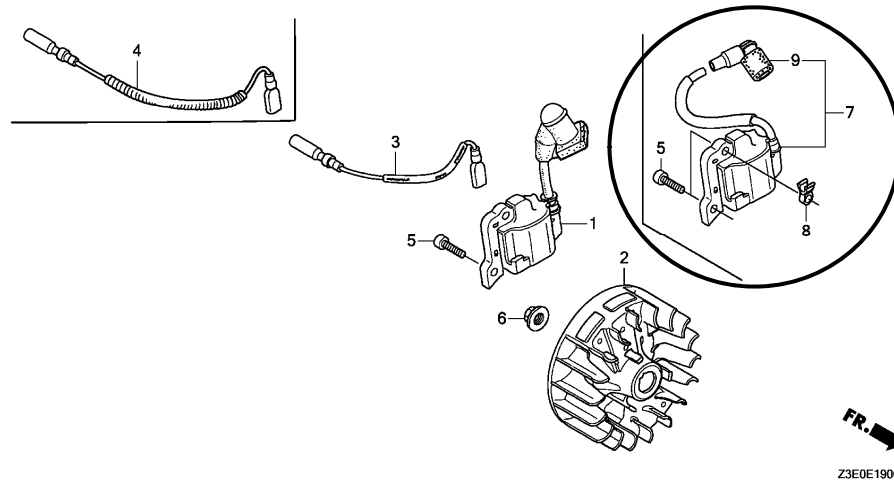
PARTS CATALOGUE NEWS

BOOKNo. : 13Z3E602

Block No.	Ref. No.	Part No.	Description	Reqd. QTY GX 25 T	Base Part No.	Parts catalogue code
	17		BOLT, SOCKET, 5X30.....	0	90010-Z0H-003	SATS
	18		BOLT, SOCKET, 5X16.....	0	90018-Z0H-003	SATS
	20		COLLAR, TANK GUARD.....	0	91501-Z0H-000	SATS
	21		COLLAR A, HEAD COVER.....	0	91506-ZM3-000	SATS

E-19 FLYWHEEL

Ref. No.	(Relative ref. Number)	Description	FRT
1	(7)	COIL, IGNITION (ONE)	0.1
6141A5			



E-19	1		COIL ASSY., IGNITION.....	0	30500-Z3E-004	SATS
	7	30500-Z3E-K03	COIL ASSY., IGNITION.....	1		SATS
	8	30522-Z0H-K01	CLIP, HIGH TENSION CORD.....	1		SATS
	9	30700-Z0H-K01	TERMINAL ASSY., HIGH TENSION..	1		SATS
E-27	1		COVER COMP., TOP *R280*..... POWER RED	0	19720-Z0H-800ZA	SATS
	2		BOLT, TOP COVER.....	0	90015-Z0H-003	SATS

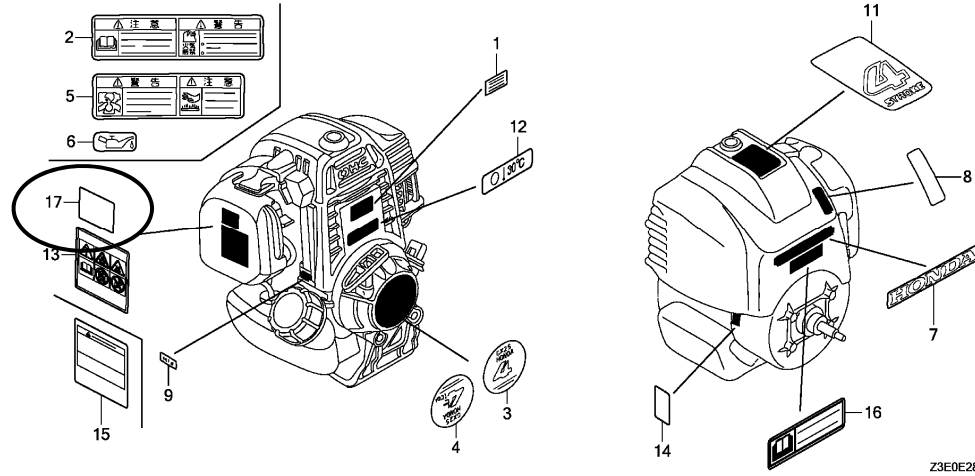
NOTE A:PART NO. CHANGE D:NEWLY PROVIDED E:PART NO.DELETION K:REQUIRED NO. CORRECTION L:APPLICATION SERIAL NO. CORRECTION
M:PART DESCRIPTION CORRECTION T:APPLICATION CORRECTION Z:REMARKS CHANGE

PARTS CATALOGUE NEWS

BOOKNo. : 13Z3E602

Block No.	Ref. No.	Part No.	Description	Reqd. QTY GX 25 T	Base Part No.	Parts catalogue code
-----------	----------	----------	-------------	----------------------------	---------------	----------------------

E-28 LABEL



Z3E0E2800F

E-28	1		LABEL, WARNING (NOT CERTIFIED FOR SALE)	0	87114-ZH7-810	SATS
	7		MARK, HONDA.....	0	87531-ZOH-000	SATS
	9	87601-ZOH-T60	MARK, TYPE(SATS).....	1	87601-ZOH-V20	SATS
	11		MARK (4-STROKE).....	0	87660-ZOH-000	SATS
	13	87519-Z6J-000	MARK, OPERATOR CAUTION (PICTOGRAPH)	1		SATS
	17	87114-ZH7-810	LABEL, WARNING (NOT CERTIFIED FOR SALE)	1		SATS

NOTE A:PART NO. CHANGE D:NEWLY PROVIDED E:PART NO. DELETION K:REQUIRED NO. CORRECTION L:APPLICATION SERIAL NO. CORRECTION
M:PART DESCRIPTION CORRECTION T:APPLICATION CORRECTION Z:REMARKS CHANGE



PARTS CATALOGUE NEWS

Service Technology Department, Power Products Operations
 Service Division, Honda Motor Co., Ltd.

PARTS CATALOGUE - CORRECTED

Printed in Japan

CODE NO.	13Z3E602
PARTS CATALOGUE NEWS	GX25T
NEWS NO.	018

Block No.	Ref. No.	Note	Part No.	Description	Reqd. QTY	Serial No.	Parts catalogue code
E-7	1	T	13010-Z3E-003	RING SET, PISTON (TPR).....	1	-----	SATS, SBT
					1	1165802	TESC, TEZ, TEZA, TEZE, TEZL, TEZR
					1	1179040	HAT, HET, HUT
					1	3134230	S4, SATM, SAU, SAUT, SD, SD2, SD2T, SDC, SDM, SDM1, SDT, SGT3, SGT9 SJ, SJD, SJS, SJT, SK, SKB, SKN, SKT, SMY, ST3E, ST4, SUT, TD, TGT9, TJ W3C, WAU, WD, WJ

NOTE A:PART NO. CHANGE D:NEWLY PROVIDED E:PART NO. DELETION K:REQUIRED NO. CORRECTION L:APPLICATION SERIAL NO. CORRECTION
 M:PART DESCRIPTION CORRECTION T:APPLICATION CORRECTION Z:REMARKS CHANGE



PARTS CATALOGUE NEWS

Service Technology Department, Power Products Operations
 Service Division, Honda Motor Co., Ltd.

PARTS CATALOGUE - CORRECTED

Printed in Japan

CODE NO.	13Z3E602
PARTS CATALOGUE NEWS	GX25T
NEWS NO.	019

Block No.	Ref. No.	Note	Part No.	Description	Reqd. QTY	Serial No.	Parts catalogue code
E-27	4	E	19720-33E-810	*PART NO. DELETION	GX 25 T		
		D	19720-33E-810ZA	COVER COMP., TOP *R280*.....POWER RED	1	-----	TESC

NOTE A:PART NO. CHANGE D:NEWLY PROVIDED E:PART NO. DELETION K:REQUIRED NO. CORRECTION L:APPLICATION SERIAL NO. CORRECTION
 M:PART DESCRIPTION CORRECTION T:APPLICATION CORRECTION Z:REMARKS CHANGE



PARTS CATALOGUE NEWS

Service Technology Department, Power Products Operations
Service Division, Honda Motor Co., Ltd.

PARTS CATALOGUE - CORRECTED

Printed in Japan

CODE NO.	13Z3E602
PARTS CATALOGUE NEWS	GX25T
NEWS NO.	020

Block No.	Ref. No.	Note	Part No.	Description	Reqd. QTY	Serial No.		Parts catalogue code
					GX 25 T			
E-2	14	L	15721-Z0H-000	TUBE, BREATHER.....	1	-----	-----	HAT, HET, HUT, S4, SAU, SAUT, SBT, SD, SD2, SD2T, SDC, SDT SGT3, SGT9, SJ, SJS, SJT, SK, SKT, SMY, ST3E, ST4, SUT, TESC
					1	-----	2485133	SATM
					1	-----	-----	SATS, SKN, TD, TEZ, TEZA, TEZE, TEZL, TEZR, TGT9, TJ
		T	15721-Z0H-820	1	-----	2485134	SATM
E-14	23	L	16100-Z0H-805	CARBURETOR ASSY. (WYB 7E).....	1	1713500	-----	SAU, SAUT, SUT
					1	1713500	2485133	SATM
					1	2121631	-----	SDC
					1	-----	-----	SATS
		T	16100-Z0H-K14	CARBURETOR ASSY. (WYB 17B/C)...	1	-----	2485134	SATM
E-15	1	L	17204-Z0H-000	PLATE, OIL TRAP.....	1	-----	-----	HAT, HET, HUT, S4, SAU, SAUT, SBT, SD, SD2, SD2T, SDC, SDM SDM1, SDT, SGT3, SGT9, SJ, SJD, SJS, SJT, SK, SKB, SKT, SMY ST3E, ST4, SUT, W3C, WAU, WD, WJ
					1	-----	2485133	SATM
					1	-----	-----	S4, SAU, SAUT, SBT, SD, SD2, SD2T, SDC, SDM, SDM1, SDT, SGT3 SGT9, SJ, SJD, SJS, SJT, SK, SKB, SKT, SMY, ST3E, ST4, SUT W3C, WAU, WD, WJ
	2	L	17211-Z0H-000	ELEMENT, AIR CLEANER.....	1	-----	-----	

NOTE A:PART NO. CHANGE D:NEWLY PROVIDED E:PART NO. DELETION K:REQUIRED NO. CORRECTION L:APPLICATION SERIAL NO. CORRECTION
M:PART DESCRIPTION CORRECTION T:APPLICATION CORRECTION Z:REMARKS CHANGE

PARTS CATALOGUE NEWS

BOOKNo. :13Z3E602

Block No.	Ref. No.	Note	Part No.	Description	Reqd. QTY		Serial No.	Parts catalogue code	
					GX 25 1				
					1		2485133	SATM	
	3	L	17220-Z0H-020	CASE COMP., AIR CLEANER.....	1			SBT	
					1		2455344	S4, SAU, SAUT, SD, SD2, SD2T, SDC, SDM, SDM1, SDT, SGT3, SGT9 S.J, S.JD, S.JS, S.JT, SK, SKB, SKT, SMY, ST3E, ST4, SUT, W3C, WAU WD, WJ	
					1		2455344	2485133	SATM
	4	L	17231-Z0H-010	COVER, AIR CLEANER.....	1			S4, SBT, SDC, SGT3, SGT9, SKB, ST3E, ST4, W3C	
					1		2485133	SATM	
	5	L	94050-05000	NUT, FLANGE, 5MM.....	2			HAT, HET, HUT, S4, SAU, SAUT, SBT, SD, SD2, SD2T, SDC, SDM SDM1, SDT, SGT3, SGT9, S.J, S.JD, S.JS, S.JT, SK, SKB, SKT, SMY ST3E, ST4, SUT, W3C, WAU, WD, WJ	
					2		2485133	SATM	
E-15-1	1	T	17204-Z0H-800	PLATE, OIL TRAP.....	1			SATS, SKN, TD, TESC, TEZ, TEZA, TEZE, TEZL, TEZR, TGT9, TJ	
					1		2485134	SATM	
	2	T	17211-Z0H-800	ELEMENT, AIR CLEANER.....	1			SATS, SKN, TD, TEZ, TEZA, TEZE, TEZL, TEZR, TGT9, TJ	
					1		2485134	SATM	
	3	T	17220-Z0H-802	CASE COMP., AIR CLEANER.....	1			SATS, SKN, TD, TJ	
					1		2485134	SATM	
	4	T	17231-Z0H-802	COVER, AIR CLEANER.....	1			SATS	
					1		2485134	SATM	
	5	T	94050-05000	NUT, FLANGE, 5MM.....	2			SATS, SKN, TD, TESC, TEZ, TEZA, TEZE, TEZL, TEZR, TGT9, TJ	
					2		2485134	SATM	
	12	T	91503-ZM3-000	COLLAR, AIR CLEANER.....	2			SATS, TGT9	
					2		2485134	SATM	
E-16	10	L	90011-Z0H-003	BOLT, SOCKET, 5X10(CT).....	1			HAT, HET, HUT, TESC, TEZ, TEZA, TEZE, TEZL, TEZR	

NOTE A:PART NO. CHANGE D:NEWLY PROVIDED E:PART NO. DELETION K:REQUIRED NO. CORRECTION L:APPLICATION SERIAL NO. CORRECTION
M:PART DESCRIPTION CORRECTION T:APPLICATION CORRECTION Z:REMARKS CHANGE

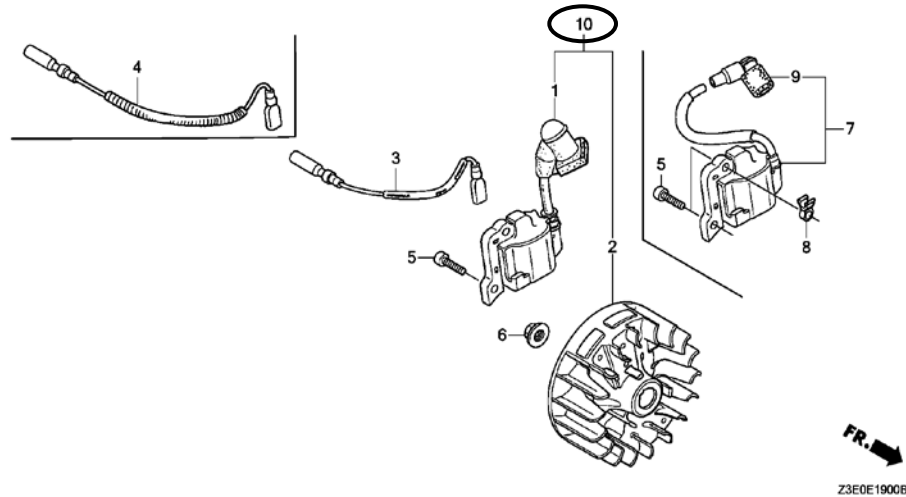
PARTS CATALOGUE NEWS

BOOKNo. :13Z3E602

Block No.	Ref. No.	Note	Part No.	Description	Reqd. QTY	Serial No.	Parts catalogue code
					GX 25 ↓		
					1	----- 2353583	S4, SATM, SAU, SAUT, SD, SD2, SD2T, SDC, SDM, SDM1, SDT, SGT3 SGT9, SJ, SJD, SJS, SJT, SK, SKB, SKN, SKT, SMY, ST3E, ST4 SUT, TD, TGT9, TJ, W3C, WAU, WD, WJ
		T	90011-Z3E-901	BOLT, SOCKET, 5X10.....	1	-----	SBT
					1	2353584	S4, SATM, SAU, SAUT, SD, SD2, SD2T, SDC, SDM, SDM1, SDT, SGT3 SGT9, SJ, SJD, SJS, SJT, SK, SKB, SKN, SKT, SMY, ST3E, ST4 SUT, TD, TGT9, TJ, W3C, WAU, WD, WJ

E-19 FLYWHEEL

Ref. No.	(Relative ref. Number) LON Description	FRT
2	(10) 2161B5 FLYWHEEL	0.3



E-19	1	E	30500-Z3E-013	*PART NO. DELETION			
	2	E	31110-Z3E-003	*PART NO. DELETION			
		E	31110-Z3E-811	*PART NO. DELETION			
	10	D	06301-Z3E-000	IGNITION COIL & FLYWHEEL KIT..	1	----- 1161113	HAT, HET, HUT
					1	----- 3016120	S4, SATM, SAU, SAUT, SD, SD2, SD2T, SDC, SDM, SDM1, SDT, SGT3 SGT9, SJ, SJD, SJS, SJT, SK, SKB, SKN, SKT, SMY, ST3E, ST4 SUT, TD, TGT9, TJ
		D	06301-YH4-000	1	----- 3016144	W3C, WAU, WD, WJ

NOTE A:PART NO. CHANGE D:NEWLY PROVIDED E:PART NO. DELETION K:REQUIRED NO. CORRECTION L:APPLICATION SERIAL NO. CORRECTION
M:PART DESCRIPTION CORRECTION T:APPLICATION CORRECTION Z:REMARKS CHANGE

PARTS CATALOGUE NEWS

BOOKNo. :13Z3E602

Block No.	Ref. No.	Note	Part No.	Description	Reqd. QTY	Serial No.	Parts catalogue code
					6X 25 1		
E-22	11		90011-Z0H-801	BOLT, SOCKET, 5X10.....	1	----- 2356413	W3C, WAU, WD, WJ
		A	90011-Z3E-911	1	2356414 -----	W3C, WAU, WD, WJ
E-28	4		87521-Z3E-800	MARK, EMBLEM.....	1	----- 1030579	TEZR
		A	87521-Z3E-801	1	1030580 -----	TEZR
					1	----- -----	TEZE
E-40	1	T	35120-746-C21	SWITCH ASSY., ENGINE STOP.....	1	----- -----	TESC, TEZA, TEZE
					1	1046469 -----	TEZ, TEZR
					1	2686504 -----	TGT9
	2	T	90105-733-D61	BOLT, 3X12(SEMS).....	1	----- -----	TESC, TEZA, TEZE
					1	1046469 -----	TEZ, TEZR
					1	2686504 -----	TGT9

NOTE A:PART NO. CHANGE D:NEWLY PROVIDED E:PART NO. DELETION K:REQUIRED NO. CORRECTION L:APPLICATION SERIAL NO. CORRECTION
M:PART DESCRIPTION CORRECTION T:APPLICATION CORRECTION Z:REMARKS CHANGE

HONDA PARTS CATALOGUE NEWS

Service Information Department, Power Product Operations
Service Division, Honda Motor Co., Ltd.

CODE NO.	13Z3E602
PARTS CATALOGUE NEWS	GX25T
NEWS NO.	021

**GX25T -S4/A, SATM/A, SAU/A, SAUT/A, SGT3/A, ST4/A, SUT/A, TEZL/A, TEZR/A, TGT9/A and
WAU/A TYPES sales parts information**

NOTE: This Parts Catalogue News explains only the parts of the different model that are produced to conform to addition of the GX25T-S4/A, SATM/A, SAU/A, SAUT/A, SGT3/A, ST4/A, SUT/A, TEZL/A, TEZR/A, TGT9/A and WAU/A types. As for the parts not listed on this Parts Catalogue News, use the parts of the GX25T-S4, SATM, SAU, SAUT, SGT3 ST4, SUT, TEZL, TEZR, TGT9 and WAU types.

•Models, parts catalogue codes and applicable serial numbers

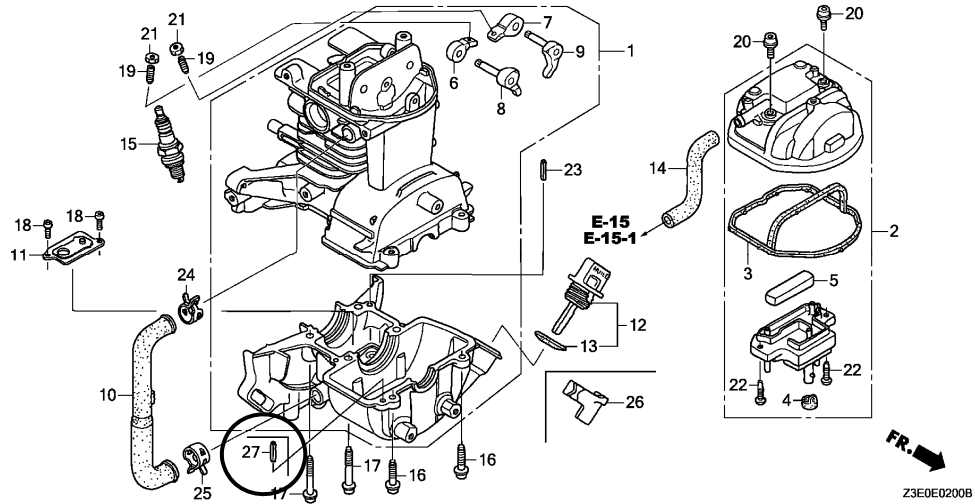
Model	Type		Parts catalogue type	Applicable engine serial No.	Applicable carburetor identification No.
GX25T	S4	Base type	S4	GCALT-1000001~3999999	WYB 6F/G
		Additional type	S4/A	GCALT-4000001~	WYB 7E
	SATM	Base type	SATM	GCALT-1000001~3999999	WYB 7C, WYB 7E, WYB 17B/C
		Additional type	SATM/A	GCALT-4000001~	WYB 17B/C
	SAU	Base type	SAU	GCALT-1000001~3999999	WYB 7CWYB 7E
		Additional type	SAU/A	GCALT-4000001~	WYB 7E
	SAUT	Base type	SAUT	GCALT-1000001~3999999	WYB 7CWYB 7E
		Additional type	SAUT/A	GCALT-4000001~	WYB 7E
	SGT3	Base type	SGT3	GCALT-1000001~3999999	WYB 6F/G
		Additional type	SGT3/A	GCALT-4000001~	WYB 7E
	ST4	Base type	ST4	GCALT-1000001~3999999	WYB 6F/G
		Additional type	ST4/A	GCALT-4000001~	WYB 7E
	SUT	Base type	SUT	GCALT-1000001~3999999	WYB 7CWYB 7E
		Additional type	SUT/A	GCALT-4000001~	WYB 7E
	TEZL	Base type	TEZL	GCAPT-1000001~3999999	WYB 19BWYB 19D
		Additional type	TEZL/A	GCAPT-4000001~	WYB 19D
	TEZR	Base type	TEZR	GCAPT-1000001~3999999	WYB 19BWYB 19D
		Additional type	TEZR/A	GCAPT-4000001~	WYB 19D
	TGT9	Base type	TGT9	GCALT-1000001~3999999	WYB 6F/G
		Additional type	TGT9/A	GCALT-4000001~	WYB 7E
WAU	Base type	WAU	GCALT-1000001~3999999	WYB 21AWYB 21B	
	Additional type	WAU/A	GCALT-4000001~	WYB 21B	

PARTS CATALOGUE NEWS

BOOKNo. : 13Z3E602

Block No.	Ref. No.	Part No.	Description	Reqd. QTY GX 25 T	Base Part No.	Parts catalogue code
-----------	----------	----------	-------------	----------------------------	---------------	----------------------

E-2 CRANKCASE SET



E-2	1	10100-Z3E-415	CRANKCASE SET.....	1	10100-Z3E-405	S4/A, SATM/A, SAU/A, SAUT/A, SGT3/A, ST4/A, SUT/A, TEZL/A, TEZR/A, TGT9/A WAU/A
	27	94305-40102	PIN, SPRING, 4X10.....	1		SGT3/A, TEZL/A, TEZR/A, TGT9/A
E-14	23	16100-Z0H-805	CARBURETOR ASSY. (WYB 7E).....	1	16100-Z0H-053	S4/A, SGT3/A, ST4/A, TGT9/A
	25	16221-Z0H-010	PACKING, CARBURETOR.....	1	16221-Z0H-000	TEZL/A, TEZR/A
	33	99101-ZM5-0340	JET (#34).....	(1)	99101-Z0H-0320	S4/A, ST4/A
		99101-ZM5-0350	JET (#35).....	1		S4/A, SGT3/A, ST4/A, TGT9/A
			JET (#32).....	(0)	99101-Z0H-0320	SGT3/A, TGT9/A
E-15-1	12	91503-ZM3-000	COLLAR, AIR CLEANER.....	2		TEZL/A, TEZR/A
E-17	1	17504-ZM3-003	GROMMET, FUEL TUBE.....	1		S4/A, SGT3/A, ST4/A
	8	17620-ZM3-073	CAP ASSY., FUEL TANK.....	1	17620-ZM3-063	SATM/A, SAU/A, SAUT/A, SUT/A, WAU/A
			CAP ASSY., FUEL TANK.....	0	17620-ZM3-063	S4/A, SGT3/A, ST4/A

NOTE A:PART NO. CHANGE D:NEWLY PROVIDED E:PART NO. DELETION K:REQUIRED NO. CORRECTION L:APPLICATION SERIAL NO. CORRECTION
M:PART DESCRIPTION CORRECTION T:APPLICATION CORRECTION Z:REMARKS CHANGE

PARTS CATALOGUE NEWS

BOOKNo. : 13Z3E602

Block No.	Ref. No.	Part No.	Description	Reqd. QTY	Base Part No.	Parts catalogue code
				GX 25 T		
	9	17620-ZM3-818	CAP ASSY., FUEL TANK.....	1	17620-ZM3-817	S4/A, SGT3/A, ST4/A
	24	16865-Z6J-010	PROTECTOR, TUBE.....	1		S4/A, SGT3/A, ST4/A
	25	17701-Z0H-801	TUBE, FUEL FEED.....	1		S4/A, SGT3/A, ST4/A
	26	17703-Z0H-J71	TUBE A, FUEL.....	1		S4/A, SGT3/A, ST4/A
	28	17519-ZM5-003	FITTING.....	1		S4/A, SGT3/A, ST4/A
	29	17702-Z0H-003	TUBE, FUEL RETURN.....	1		S4/A, SGT3/A, ST4/A
	43		PROTECTOR, TUBE.....	0	16865-Z6J-010	S4/A, SGT3/A, ST4/A
	44		GROMMET, FUEL TUBE.....	0	17504-ZM3-003	S4/A, SGT3/A, ST4/A
	45		FITTING.....	0	17519-ZM5-003	S4/A, SGT3/A, ST4/A
	46		TUBE, FUEL FEED.....	0	17701-Z0H-801	S4/A, SGT3/A, ST4/A
	47		TUBE, FUEL RETURN.....	0	17702-Z0H-003	S4/A, SGT3/A, ST4/A
	48		TUBE A, FUEL.....	0	17703-Z0H-J71	S4/A, SGT3/A, ST4/A
E-17-1	6	17620-ZM3-073	CAP ASSY., FUEL TANK.....	1	17620-ZM3-063	TEZL/A, TEZR/A, TGT9/A
	16		TUBE, FUEL FEED.....	0	17701-Z0H-801	TEZL/A, TEZR/A, TGT9/A
E-27	1	19720-Z0H-010ZB	COVER COMP., TOP *R280*..... POWER RED	1	19720-Z0H-000ZB	S4/A, ST4/A
		19720-Z0H-010ZC	COVER COMP., TOP *T92*..... STIGA YELLOW	1	19720-Z0H-000ZC	SGT3/A
		19720-Z3E-900ZA	COVER COMP., TOP *R280*..... POWER RED	1	19720-Z0H-000ZB	SAU/A, SAUT/A, SUT/A, WAU/A

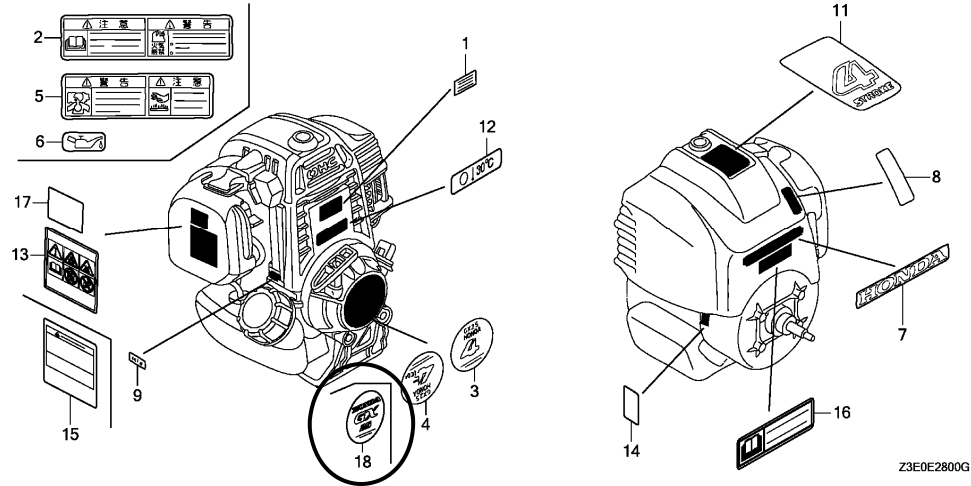
NOTE A:PART NO. CHANGE D:NEWLY PROVIDED E:PART NO. DELETION K:REQUIRED NO. CORRECTION L:APPLICATION SERIAL NO. CORRECTION
M:PART DESCRIPTION CORRECTION T:APPLICATION CORRECTION Z:REMARKS CHANGE

PARTS CATALOGUE NEWS

BOOKNo. : 13Z3E602

Block No.	Ref. No.	Part No.	Description	Reqd. QTY GX 25 T	Base Part No.	Parts catalogue code
-----------	----------	----------	-------------	----------------------------	---------------	----------------------

E-28 LABEL



E-28	1		LABEL, WARNING (NOT CERTIFIED FOR SALE)	0	87114-ZH7-810	SAU/A, SAUT/A, SUT/A
	3		MARK, EMBLEM.....	0	87521-Z3E-010	S4/A, SATM/A, SAU/A, SAUT/A, SGT3/A, ST4/A, SUT/A, WAU/A
	11	87660-Z3E-900	MARK (4-STROKE).....	1	87660-Z0H-000	S4/A, SATM/A, SAU/A, SAUT/A, SGT3/A, ST4/A, WAU/A
	18	87521-Z3E-900	MARK, EMBLEM.....	1		S4/A, SATM/A, SAU/A, SAUT/A, SGT3/A, ST4/A, SUT/A, WAU/A

NOTE A:PART NO. CHANGE D:NEWLY PROVIDED E:PART NO. DELETION K:REQUIRED NO. CORRECTION L:APPLICATION SERIAL NO. CORRECTION
M:PART DESCRIPTION CORRECTION T:APPLICATION CORRECTION Z:REMARKS CHANGE

HONDA PARTS CATALOGUE NEWS

Service Information Department, Power Product Operations
Service Division, Honda Motor Co., Ltd.

CODE NO.	13Z3E602
PARTS CATALOGUE NEWS	GX25T
NEWS NO.	022

GX25T-HAT/A, HET/A, WAUM and WJM TYPES sales parts information

NOTE: This Parts Catalogue News explains only the parts of the different model that are produced to conform to addition of the GX25T-HAT/A, HET/A, WAUM and WJM types.

As for the parts not listed on this Parts Catalogue News, use the parts of the GX25T-HAT, HET, WAU and WJ types.

•Models, parts catalogue codes and applicable serial numbers

Model	Type		Parts catalogue type	Applicable engine serial No.	Applicable carburetor identification No.
GX25T	HAT	Base type	HAT	GCANT-1000001~1499999	WYB 34/A, WYB 34A/B
		Additional type	HAT/A	GCANT-1500001~	WYB 46
	HET	Base type	HET	GCANT-3000001~3499999	WYB 6D, WYB 6F/G
		Additional type	HET/A	GCANT-3500001~	WYB 7E/F
	WAU	Base type	WAU	GCALT-1000001~3999999	WYB 21A, WYB 21B/C
	WAUM	Additional type	WAUM	GCALT-4000001~	WYB 7E/F
	WJ	Base type	WJ	GCALT-1000001~	WYB 10A, WYB 10B/C
	WJM	Additional type	WJM	GCALT-4000001~	WYB 7E/F

NOTE A:PART NO. CHANGE D:NEWLY PROVIDED E:PART NO. DELETION K:REQUIRED NO. CORRECTION L:APPLICATION SERIAL NO. CORRECTION
M:PART DESCRIPTION CORRECTION T:APPLICATION CORRECTION Z:REMARKS CHANGE

BOOKNo. : 13Z3E602

-Features of each type		Base type	Additional type	Base type	Additional type
Specifications	Model	GX25T			
	Type	WAU	WAUM	WJ	WJM
	Clutch				
	P.T.O. shaft	●	●	●	●
	Arrester	●	●	(●)	(●)
	Exhaust baffle				
	Tank guard				
	Engine stop switch	●	●	●	●

NOTE A:PART NO. CHANGE D:NEWLY PROVIDED E:PART NO. DELETION K:REQUIRED NO. CORRECTION L:APPLICATION SERIAL NO. CORRECTION
M:PART DESCRIPTION CORRECTION T:APPLICATION CORRECTION Z:REMARKS CHANGE

PARTS CATALOGUE NEWS

BOOKNo. : 13Z3E602

Block No.	Ref. No.	Part No.	Description	Reqd. QTY	Base Part No.	Parts catalogue code
				GX 25 T		
E-2	1	10100-Z3E-415	CRANKCASE SET.....	1	10100-Z3E-405	HAT/A, HET/A, WAUM, WJM
	27	94305-40102	PIN, SPRING, 4X10.....	1		HAT/A, HET/A, WAUM, WJM
E-14	23	16100-Z0H-805	CARBURETOR ASSY. (WYB 7E/F)....	1	16100-Z0H-053	HET/A
		16100-Z0H-805	CARBURETOR ASSY. (WYB 7E/F)....	1	16100-Z0H-G93	WAUM
		16100-Z0H-805	CARBURETOR ASSY. (WYB 7E/F)....	1	16100-Z0H-834	WJM
		16100-Z6J-WB2	CARBURETOR ASSY. (WYB 46).....	1	16100-Z6J-013	HAT/A
	26	16222-Z0H-801	PACKING, SHROUD.....	1	16222-Z0H-800	WAUM, WJM
	33	99101-ZM5-0340	JET (#34).....	1	99101-ZM5-0350	HAT/A, HET/A, WJM
	99101-ZM5-0350	JET (#35).....	(1)	99101-Z0H-0320	HAT/A, HET/A, WJM	
E-17	8	17620-ZM3-073	CAP ASSY., FUEL TANK.....	1	17620-ZM3-063	WAUM, WJM
	9	17620-ZM3-818	CAP ASSY., FUEL TANK.....	1	17620-ZM3-817	HAT/A, HET/A
	24		PROTECTOR, TUBE.....	0	16865-Z6K-000	HAT/A
	28		JOINT, FUEL TANK.....	0	17519-Z6J-003	HAT/A
	29		TUBE, FUEL RETURN.....	0	17702-Z0H-003	HAT/A
	31		CLIP, TUBE.....	0	91401-ZM3-003	HAT/A
E-28	9	87601-Z3E-T70	MARK, TYPE (WJM).....	1	87601-Z0H-700	WJM
		87601-Z3E-T80	MARK, TYPE (WAUM).....	1	87601-Z3E-V80	WAUM

NOTE A:PART NO. CHANGE D:NEWLY PROVIDED E:PART NO. DELETION K:REQUIRED NO. CORRECTION L:APPLICATION SERIAL NO. CORRECTION
M:PART DESCRIPTION CORRECTION T:APPLICATION CORRECTION Z:REMARKS CHANGE

HONDA PARTS CATALOGUE NEWS

PARTS CATALOGUE - CORRECTED

CODE NO.	13Z3E602
PARTS CATALOGUE NEWS	GX25T
NEWS NO.	023

Block No.	Ref. No.	Note	Part No.	Description	Reqd. QTY	Serial No.	Parts catalogue code	
					GX 25 T			
E-11	1	L	28400-Z0H-801	STARTER ASSY., RECOIL.....	1	----- 1077514	TESC, TEZA, TEZE, TEZR	
			28400-Z0H-802	1	1077515 -----	TESC, TEZA, TEZE, TEZR	
					1	-----	TEZR/A, TGT9, TGT9/A	
	L	28400-Z0H-003	1	-----	1152169	TEZ, TEZL	
					1	-----	2380556 S4, SATM, SAU, SAUT, SD, SD2, SD2T, SDC, SDM, SDM1, SDT, SGT3, SGT9, SJ, SJD, SJS, SJT, SK, SKB, SKN, SKT, SMY, ST3E, ST4, SUT, TD, TJ, W3C, WAU, WD, WJ	
	T	28400-Z3E-M01	1	-----	-----	S4/A, SATM/A, SATS, SAU/A, SAUT/A, SBT, SGT3/A, ST4/A, SUT/A, TEZL/A, WAU/A, WAUM, WJM	
				1	1152170	-----	TEZ, TEZL	
				1	2380557	-----	S4, SATM, SAU, SAUT, SD, SD2, SD2T, SDC, SDM, SDM1, SDT, SGT3, SGT9, SJ, SJD, SJS, SJT, SK, SKB, SKN, SKT, SMY, ST3E, ST4, SUT, TD, TJ, W3C, WAU, WD, WJ	
	3	L	28414-Z0H-801	CASE, RECOIL STARTER.....	1	-----	1077514	TESC, TEZA, TEZE, TEZR
			28414-Z0H-802	1	1077515 -----	TESC, TEZA, TEZE, TEZR	
				1	-----	TEZR/A, TGT9, TGT9/A		
5	L		28433-ZM3-003	GUIDE, ROPE.....	1	-----	-----	
					1	-----	S4, S4/A, SATM, SATM/A, SATS, SAU, SAU/A, SAUT, SAUT/A, SBT, SD, SD2, SD2T, SDC, SDM, SDM1, SDT, SGT3, SGT3/A, SGT9, SJ, SJD, SJS, SJT, SK, SKB, SKN, SKT, SMY, ST3E, ST4, ST4/A, SUT, SUT/A, TD, TEZ, TEZL, TEZL/A, TJ, W3C, WAU, WAU/A, WAUM, WD, WJ, WJM	

NOTE A:PART NO. CHANGE D:NEWLY PROVIDED E:PART NO. DELETION K:REQUIRED NO. CORRECTION L:APPLICATION SERIAL NO. CORRECTION
M:PART DESCRIPTION CORRECTION T:APPLICATION CORRECTION Z:REMARKS CHANGE

PARTS CATALOGUE NEWS

BOOKNo. : 13Z3E602

Block No.	Ref. No.	Note	Part No.	Description	Reqd. QTY		Serial No.	Parts catalogue code
					6X 25 T			
					1		----- 1077514	TESC, TEZA, TEZE, TEZR
		T	28433-Z0H-801	1		1077515 -----	TESC, TEZA, TEZE, TEZR
					1		-----	TEZR/A, TGT9, TGT9/A
E-14	5	L	16015-Z6J-013	BODY ASSY., PUMP.....	1		-----	HAT, HAT/A
		T	16015-Z0H-013	1		-----	HET, HET/A, HUT, S4, S4/A, SATM, SATM/A, SATS, SAU, SAU/A, SAUT SAUT/A, SD, SD2, SD2T, SDC, SDM, SDM1, SDT, SGT3, SGT3/A, SGT9, SJ, SJD SJS, SJT, SK, SKN, SKT, SMY, ST3E, ST4, ST4/A, SUT, SUT/A, TD, TESC, TEZ TEZA, TEZE, TEZL, TEZL/A, TEZR, TEZR/A, TGT9, TGT9/A, TJ, WAU, WAU/A WAUM, WD, WJ, WJM
				(CARBURETOR NO.)	1	WYB 21B	-----	W3C
	23	D	16100-Z6J-003	CARBURETOR ASSY. (WYB 34/A)....	1		----- 1158553	HAT
		L	16100-Z0H-804	CARBURETOR ASSY. (WYB 7C).....	1		----- 1713499	SATM, SAU, SAUT, SUT
					1		----- 2003960	HUT
		T	16100-Z0H-805	CARBURETOR ASSY. (WYB 7E).....	1		-----	HET/A, S4/A, SAU/A, SAUT/A, SGT3/A, ST4/A, SUT/A, TGT9/A, WAUM, WJM
					1	1713500	-----	SAU, SAUT, SUT
					1	1713500	2485133	SATM
					1	2003961	-----	HUT
					1	2121631	-----	SDC
	34	T	91501-Z3E-A20	COLLAR, 5.75X17.....	1		1115309 -----	TEZA
					1		-----	TEZL, TEZL/A
	35	T	93500-03025-0A	SCREW, PAN, 3X25.....	1		1115309 -----	TEZA
					1		-----	TEZL, TEZL/A
E-15	4	L	17231-Z0H-000	COVER, AIR CLEANER.....	1		----- 1610504	SAU, SAUT, SD, SD2, SD2T, SDM, SDM1, SDT, SJ, SJD, SJS, SJT, SK, SKT, SMY SUT, WAU, WD, WJ
		T	17231-Z0H-010	1		-----	S4, S4/A, SAU/A, SAUT/A, SBT, SDC, SGT3, SGT3/A, SGT9, SKB, ST3E, ST4 ST4/A, SUT/A, W3C, WAU/A, WAUM, WJM
					1		----- 2485133	SATM

NOTE A:PART NO. CHANGE D:NEWLY PROVIDED E:PART NO. DELETION K:REQUIRED NO. CORRECTION L:APPLICATION SERIAL NO. CORRECTION
M:PART DESCRIPTION CORRECTION T:APPLICATION CORRECTION Z:REMARKS CHANGE

PARTS CATALOGUE NEWS

BOOKNo. : 13Z3E602

Block No.	Ref. No.	Note	Part No.	Description	Reqd. QTY	Serial No.	Parts catalogue code
					6X 25 1		
					1	1610505 -----	SAU, SAUT, SD, SD2, SD2T, SDM, SDM1, SDT, SJ, SJD, SJS, SJT, SK, SKT, SMY SUT, WAU, WD, WJ
E-15-1	4	L	17231-Z0H-801	COVER, AIR CLEANER.....	1	----- 1619255	SKN, TD, TJ
		T	17231-Z0H-802	1	-----	SATM/A, SATS
					1	1619256 -----	SKN, TD, TJ
					1	2485134 -----	SATM
		L	17231-Z0H-810	1	----- 1073120	TEZ, TEZA, TEZE, TEZL, TEZR
		T	17231-Z0H-811	1	1073121 -----	TEZ, TEZA, TEZE, TEZL, TEZR
					1	-----	TEZL/A, TEZR/A, TGT9, TGT9/A
E-17	24	E	16865-Z6J-000	*PART NO. DELETION			
		T	16865-Z6K-000	PROTECTOR, TUBE.....	1	----- 3011889	W3C
					1	1059956 -----	HAT
E-28	1	T	87114-ZH7-810	LABEL, WARNING (NOT CERTIFIED FOR SALE)	1	----- 3468461	SATM, WAU
					1	1694656 -----	SAU, SAUT, SUT
		T	87114-ZH7-000	1	-----	SBT, SD, SD2, SD2T, SDC, SDM, SDM1, SDT, SJ, SJD, SJS, SJT, SK, SKB, SKN SKT, SMY, TD, TJ, WD, WJ, WJM
					1	2653929 -----	W3C
		T	87114-ZH7-840	1	-----	S4, S4/A, SGT3, SGT3/A, SGT9, ST3E, ST4, ST4/A, TEZE, TEZL, TEZL/A TEZR/A, TGT9, TGT9/A
					1	1066951 -----	TEZ, TEZR
					1	1115309 -----	TESC, TEZA
	7	L	87531-Z0H-000	MARK, HONDA.....	1	-----	SATM, SATM/A, SDM
					1	----- 1758341	SAU, SAUT, SD, SD2, SD2T, SDT, SJ, SJT, SK, SKT, SUT
					1	----- 3502720	SBT, SDM1, SJD, SJS, SKB

NOTE A:PART NO. CHANGE D:NEWLY PROVIDED E:PART NO. DELETION K:REQUIRED NO. CORRECTION L:APPLICATION SERIAL NO. CORRECTION
M:PART DESCRIPTION CORRECTION T:APPLICATION CORRECTION Z:REMARKS CHANGE

PARTS CATALOGUE NEWS

BOOKNo. : 13Z3E602

Block No.	Ref. No.	Note	Part No.	Description	Reqd. QTY	Serial No.	Parts catalogue code
	13	T	87519-Z6J-000	MARK, OPERATOR CAUTION (PICTOGRAPH)	1	-----	S4, S4/A, SATM/A, SATS, SAU/A, SAUT/A, SBT, SGT3, SGT3/A, SGT9, SKB ST3E, ST4, ST4/A, SUT/A, TEZL/A, TEZR/A, TGT9, TGT9/A, WAU/A, WAUM WJM
					1	-----	2356933 SDC
					1	-----	2653928 W3C
					1	1073121	----- TESC, TEZ, TEZA, TEZE, TEZL, TEZR
					1	1610145	----- SATM, SAU, SAUT, SD, SD2, SD2T, SDM, SDM1, SDT, SJ, SJD, SJS, SJT, SK SKN, SKT, SMY, SUT, TD, TJ, WAU, WD, WJ

NOTE A:PART NO. CHANGE D:NEWLY PROVIDED E:PART NO. DELETION K:REQUIRED NO. CORRECTION L:APPLICATION SERIAL NO. CORRECTION
M:PART DESCRIPTION CORRECTION T:APPLICATION CORRECTION Z:REMARKS CHANGE

HONDA PARTS CATALOGUE NEWS

PARTS CATALOGUE - CORRECTED

CODE NO.	13Z3E602
PARTS CATALOGUE NEWS	GX25T
NEWS NO.	024

Block No.	Ref. No.	Note	Part No.	Description	Reqd. QTY GX 25 T	Serial No.	Parts catalogue code	
E-2	16	L	90009-Z0H-003	BOLT, SOCKET, 5X20.....	2	-----	HAT, HAT/A, HET, HET/A, HUT	
					2	-----	1136777	TESC, TEZ, TEZA, TEZE, TEZL, TEZR
					2	-----	2353583	S4, SATM, SAU, SAUT, SD, SD2, SD2T, SDC, SDM, SDM1, SDT, SGT3, SGT9, SJ SJD, SJS, SJT, SK, SKB, SKN, SKT, SMY, ST3E, ST4, SUT, TD, TGT9, TJ, W3C WAU, WD, WJ
					2	-----	-----	S4/A, SATM/A, SATS, SAU/A, SAUT/A, SBT, SGT3/A, ST4/A, SUT/A TEZL/A, TEZR/A, TGT9/A, WAU/A, WAUM, WJM
					2	-----	1136778	TESC, TEZ, TEZA, TEZE, TEZL, TEZR
	2	-----	2353584	S4, SATM, SAU, SAUT, SD, SD2, SD2T, SDC, SDM, SDM1, SDT, SGT3, SGT9, SJ SJD, SJS, SJT, SK, SKB, SKN, SKT, SMY, ST3E, ST4, SUT, TD, TGT9, TJ, W3C WAU, WD, WJ				
	17	L	90010-Z0H-003	BOLT, SOCKET, 5X30.....	4	-----	HUT	
					4	-----	1136777	TESC, TEZ, TEZA, TEZE, TEZL, TEZR
					4	-----	1213601	HAT
					4	-----	2353583	S4, SATM, SAU, SAUT, SD, SD2, SD2T, SDC, SDM, SDM1, SDT, SGT3, SGT9, SJ SJD, SJS, SJT, SK, SKB, SKN, SKT, SMY, ST3E, ST4, SUT, TD, TGT9, TJ, W3C WAU, WD, WJ
4					-----	3019204	HET	
4	-----	3459656	SATS, SBT					

NOTE A:PART NO. CHANGE D:NEWLY PROVIDED E:PART NO. DELETION K:REQUIRED NO. CORRECTION L:APPLICATION SERIAL NO. CORRECTION
M:PART DESCRIPTION CORRECTION T:APPLICATION CORRECTION Z:REMARKS CHANGE

PARTS CATALOGUE NEWS

BOOKNo. : 13Z3E602

Block No.	Ref. No.	Note	Part No.	Description	Reqd. QTY		Serial No.	Parts catalogue code
					6X 25 1			
					4		1143690	----- TESC, TEZ, TEZA, TEZE
					4		1143690 1183029	TEZL, TEZR
					4		2464552	----- SD2, SDM, SGT9, SKT, SMY, ST3E, TD
					4		2464552 3459656	S4, SATM, SAU, SAUT, SD, SD2T, SDC, SDM1, SDT, SGT3, SJ, SJD, SJS, SJT SK, SKB, SKN, ST4, SUT, TGT9, TJ, W3C, WAU, WD, WJ
		D	90010-Z3E-901	4		1136778 1143689	TESC, TEZ, TEZA, TEZE, TEZL, TEZR
					4		2353584 2464551	S4, SATM, SAU, SAUT, SD, SD2, SD2T, SDC, SDM, SDM1, SDT, SGT3, SGT9, SJ SJD, SJS, SJT, SK, SKB, SKN, SKT, SMY, ST3E, ST4, SUT, TD, TGT9, TJ, W3C WAU, WD, WJ
		D	90010-Z0Z-003	BOLT, SOCKET, 5X32.....	4		-----	----- HAT/A, HET/A, S4/A, SATM/A, SAU/A, SAUT/A, SGT3/A, ST4/A, SUT/A TEZL/A, TEZR/A, TGT9/A, WAU/A, WAUM, WJM
					4		1183030	----- TEZL, TEZR
					4		1213602	----- HAT
					4		3019205	----- HET
					4		3459657	----- S4, SATM, SATS, SAU, SAUT, SBT, SD, SD2T, SDC, SDM1, SDT, SGT3, SJ, SJD SJS, SJT, SK, SKB, SKN, ST4, SUT, TGT9, TJ, W3C, WAU, WD, WJ
E-11	9	L	28461-ZM3-003	KNOB, RECOIL STARTER.....	1		----- 1142217	TESC, TEZA, TEZE, TEZR
					1		----- 1152169	TEZ, TEZL
					1		----- 2380556	S4, SATM, SAU, SAUT, SD, SD2, SD2T, SDC, SDM, SDM1, SDT, SGT3, SGT9, SJ SJD, SJS, SJT, SK, SKB, SKN, SKT, SMY, ST3E, ST4, SUT, TD, TJ, W3C, WAU WD, WJ
					1		----- 2488155	TGT9
		T	28461-Z3F-M01	1		-----	S4/A, SATM/A, SATS, SAU/A, SAUT/A, SBT, SGT3/A, ST4/A, SUT/A TEZL/A, TEZR/A, TGT9/A, WAU/A, WAUM, WJM
					1		1142218	----- TESC, TEZA, TEZE, TEZR
					1		1152170	----- TEZ, TEZL
					1		2380557	----- S4, SATM, SAU, SAUT, SD, SD2, SD2T, SDC, SDM, SDM1, SDT, SGT3, SGT9, SJ SJD, SJS, SJT, SK, SKB, SKN, SKT, SMY, ST3E, ST4, SUT, TD, TJ, W3C, WAU WD, WJ

NOTE A:PART NO. CHANGE D:NEWLY PROVIDED E:PART NO. DELETION K:REQUIRED NO. CORRECTION L:APPLICATION SERIAL NO. CORRECTION
M:PART DESCRIPTION CORRECTION T:APPLICATION CORRECTION Z:REMARKS CHANGE

PARTS CATALOGUE NEWS

BOOKNo. : 13Z3E602

Block No.	Ref. No.	Note	Part No.	Description	Reqd. QTY	Serial No.	Parts catalogue code
					6X 25 T		
					1	2488156 -----	TGT9
	12	L	90018-Z0H-003	BOLT, SOCKET, 5X16.....	3	----- 1136777	TESC, TEZ, TEZA, TEZE, TEZL, TEZR
					3	----- 2353583	S4, SAU, SD, SD2, SDC, SDM, SDM1, SJ, SJD, SK, SKB, SKN, TD, TGT9, TJ W3C, WAU, WD, WJ
					1	----- 2353583	SATM, SAUT, SD2T, SDT, SGT3, SGT9, SJS, SJT, SKT, SMY, ST3E, ST4, SUT
		T	90018-Z3E-901	3	----- -----	S4/A, SATS, SAU/A, TEZL/A, TEZR/A, TGT9/A, WAU/A, WAUM, WJM
					1	----- -----	SATM/A, SAUT/A, SBT, SGT3/A, ST4/A, SUT/A
					3	1136778 -----	TESC, TEZ, TEZA, TEZE, TEZL, TEZR
					3	2353584 -----	S4, SAU, SD, SD2, SDC, SDM, SDM1, SJ, SJD, SK, SKB, SKN, TD, TGT9, TJ W3C, WAU, WD, WJ
					1	2353584 -----	SATM, SAUT, SD2T, SDT, SGT3, SGT9, SJS, SJT, SKT, SMY, ST3E, ST4, SUT
E-12	8	L	90009-Z0H-003	BOLT, SOCKET, 5X20.....	3	----- -----	HAT, HAT/A, HET, HET/A, HUT
					3	----- 1136777	TESC, TEZ, TEZA, TEZE, TEZL, TEZR
					3	----- 2353583	S4, SATM, SAU, SAUT, SD, SD2, SD2T, SDC, SDM, SDM1, SDT, SGT3, SGT9, SJ SJD, SJS, SJT, SK, SKB, SKN, SKT, SMY, ST3E, ST4, SUT, TD, TGT9, TJ, W3C WAU, WD, WJ
		T	90009-Z3E-901	3	----- -----	S4/A, SATM/A, SAU/A, SAUT/A, SBT, SGT3/A, ST4/A, SUT/A, TEZL/A TEZR/A, TGT9/A, WAU/A, WAUM, WJM
					3	1136778 -----	TESC, TEZ, TEZA, TEZE, TEZL, TEZR
					3	2353584 -----	S4, SATM, SAU, SAUT, SD, SD2, SD2T, SDC, SDM, SDM1, SDT, SGT3, SGT9, SJ SJD, SJS, SJT, SK, SKB, SKN, SKT, SMY, ST3E, ST4, SUT, TD, TGT9, TJ, W3C WAU, WD, WJ
E-14	29	L	90014-Z0H-801	BOLT, 5X59.....	2	----- 2632819	SDM, SDM1, SJD, SKB, W3C, WAU, WD, WJ
		D	90014-Z3F-000	BOLT, 5X58.....	2	----- -----	WAU/A, WAUM, WJM
					2	2632820 -----	SDM, SDM1, SJD, SKB, W3C, WAU, WD, WJ
	30	L	90018-Z0H-003	BOLT, SOCKET, 5X16.....	3	----- -----	HAT, HAT/A, HET, HET/A, HUT
					3	----- 1136777	TESC, TEZ, TEZA, TEZE, TEZL, TEZR

NOTE A:PART NO. CHANGE D:NEWLY PROVIDED E:PART NO. DELETION K:REQUIRED NO. CORRECTION L:APPLICATION SERIAL NO. CORRECTION
M:PART DESCRIPTION CORRECTION T:APPLICATION CORRECTION Z:REMARKS CHANGE

PARTS CATALOGUE NEWS

BOOKNo. : 13Z3E602

Block No.	Ref. No.	Note	Part No.	Description	Reqd. QTY		Serial No.	Parts catalogue code
					6X 25 T			
					3		----- 2353583	S4, SATM, SAU, SAUT, SD, SD2, SD2T, SDC, SDM, SDM1, SDT, SGT3, SGT9, SJ SJD, SJS, SJT, SK, SKB, SKN, SKT, SMY, ST3E, ST4, SUT, TD, TGT9, TJ, W3C WAU, WD, WJ
		T	90018-Z3E-901	3		-----	S4/A, SATM/A, SATS, SAU/A, SAUT/A, SBT, SGT3/A, ST4/A, SUT/A TEZL/A, TEZR/A, TGT9/A, WAU/A, WAUM, WJM
					3		1136778	----- TESC, TEZ, TEZA, TEZE, TEZL, TEZR
					3		2353584	----- S4, SATM, SAU, SAUT, SD, SD2, SD2T, SDC, SDM, SDM1, SDT, SGT3, SGT9, SJ SJD, SJS, SJT, SK, SKB, SKN, SKT, SMY, ST3E, ST4, SUT, TD, TGT9, TJ, W3C WAU, WD, WJ
E-16	10	L	90011-Z0H-003	BOLT, SOCKET, 5X10(CT).....	1		-----	HAT, HAT/A, HET, HET/A, HUT
					1		1136777	----- TESC, TEZ, TEZA, TEZE, TEZL, TEZR
					1		2353583	S4, SATM, SAU, SAUT, SD, SD2, SD2T, SDC, SDM, SDM1, SDT, SGT3, SGT9, SJ SJD, SJS, SJT, SK, SKB, SKN, SKT, SMY, ST3E, ST4, SUT, TD, TGT9, TJ, W3C WAU, WD, WJ
		T	90011-Z3E-901	BOLT, SOCKET, 5X10.....	1		-----	S4/A, SATM/A, SAU/A, SAUT/A, SBT, SGT3/A, ST4/A, SUT/A, TEZL/A TEZR/A, TGT9/A, WAU/A, WAUM, WJM
					1		1136778	----- TESC, TEZ, TEZA, TEZE, TEZL, TEZR
					1		2353584	S4, SATM, SAU, SAUT, SD, SD2, SD2T, SDC, SDM, SDM1, SDT, SGT3, SGT9, SJ SJD, SJS, SJT, SK, SKB, SKN, SKT, SMY, ST3E, ST4, SUT, TD, TGT9, TJ, W3C WAU, WD, WJ
E-17	1	T	17504-ZM3-003	GROMMET, FUEL TUBE.....	1		-----	HUT
					1		1158553	HAT
					1		3011889	S4, SATM, SAU, SAUT, SD, SD2, SD2T, SDC, SDM, SDM1, SDT, SGT3, SGT9, SJ SJD, SJS, SJT, SK, SKN, SKT, SMY, ST3E, ST4, SUT, W3C, WAU, WD, WJ
					1		3017922	HET
	2	L	17511-Z0H-023	TANK, FUEL.....	1		-----	HET, HET/A, HUT, S4, S4/A, SATM, SATM/A, SATS, SAU, SAU/A, SAUT SAUT/A, SD, SD2, SD2T, SDC, SDM, SDM1, SDT, SGT3, SGT3/A, SGT9, SJ SJD, SJS, SJT, SK, SKN, SKT, SMY, ST3E, ST4, ST4/A, SUT, SUT/A, W3C WAU, WAU/A, WAUM, WD, WJ, WJM
					1		1007683	HAT
					1		2653929	W3C

NOTE A:PART NO. CHANGE D:NEWLY PROVIDED E:PART NO. DELETION K:REQUIRED NO. CORRECTION L:APPLICATION SERIAL NO. CORRECTION
M:PART DESCRIPTION CORRECTION T:APPLICATION CORRECTION Z:REMARKS CHANGE

PARTS CATALOGUE NEWS

BOOKNo. : 13Z3E602

Block No.	Ref. No.	Note	Part No.	Description	Reqd. QTY		Serial No.	Parts catalogue code
					GX	25		
		T	17511-Z6J-830	1		----- 2653928	W3C
					1		1026669 1158553	HAT
		D	17511-Z6J-831	1		-----	HAT/A
					1		1158554	HAT
9		L	17620-ZM3-817	CAP ASSY., FUEL TANK.....	1		-----	HAT, HET, HUT, S4, SGT3, SGT9, ST3E, ST4
					1		----- 2653928	W3C
10		T	17672-Z0H-003	FILTER, FUEL.....	1		-----	HAT, HAT/A, HET, HET/A, HUT, S4, S4/A, SATM, SATM/A, SATS, SAU, SAU/A, SAUT, SAUT/A, SD, SD2, SD2T, SDC, SDM, SDM1, SDT, SGT3, SGT3/A, SGT9, SJD, SJS, SJT, SK, SKN, SKT, SMY, ST3E, ST4, ST4/A, SUT, SUT/A, W3C, WAU, WAU/A, WAUM, WD, WJ, WJM
17		L	90010-Z0H-003	BOLT, SOCKET, 5X30.....	2		----- 2353583	SATM, SAUT, SD2T, SDT, SGT3, SGT9, SGT, SKT, SMY, ST3E, ST4, SUT
		D	90010-Z3E-901	2		-----	SATM/A, SAUT/A, SGT3/A, ST4/A, SUT/A
					2		2353584	SATM, SAUT, SD2T, SDT, SGT3, SGT9, SGT, SKT, SMY, ST3E, ST4, SUT
18		L	90018-Z0H-003	BOLT, SOCKET, 5X16.....	2		-----	HAT, HAT/A, HET, HET/A, HUT
					2		----- 2353583	SATM, SAUT, SD2T, SDT, SGT3, SGT9, SGT, SKT, SMY, ST3E, ST4, SUT
		D	90018-Z3E-901	2		-----	SATM/A, SAUT/A, SGT3/A, ST4/A, SUT/A
					2		2353584	SATM, SAUT, SD2T, SDT, SGT3, SGT9, SGT, SKT, SMY, ST3E, ST4, SUT
19		L	91401-ZM3-003	CLIP, TUBE.....	2		-----	HUT
					2		----- 1059955	HAT
					2		----- 3011889	S4, SATM, SAU, SAUT, SD, SD2, SD2T, SDC, SDM, SDM1, SDT, SGT3, SGT9, SJD, SJS, SJT, SK, SKN, SKT, SMY, ST3E, ST4, SUT, WAU, WD, WJ
					1		----- 3011889	W3C
					2		----- 3017922	HET
					1		1059956 1158553	HAT
					2		2653929	W3C
22		L	16865-Z6J-000	PROTECTOR, TUBE.....	1		-----	HUT

NOTE A:PART NO. CHANGE D:NEWLY PROVIDED E:PART NO. DELETION K:REQUIRED NO. CORRECTION L:APPLICATION SERIAL NO. CORRECTION
M:PART DESCRIPTION CORRECTION T:APPLICATION CORRECTION Z:REMARKS CHANGE

PARTS CATALOGUE NEWS

BOOKNo. : 13Z3E602

Block No.	Ref. No.	Note	Part No.	Description	Reqd. QTY		Serial No.	Parts catalogue code
					GX	25		
					1		1059955	HAT
					1		2308814	S4, SATM, SAU, SAUT, SD, SD2, SD2T, SDC, SDM, SDM1, SDT, SGT3, SGT9, SJ SJD, SJS, SJT, SK, SKN, SKT, SMY, ST3E, ST4, SUT, WAU, WD, WJ
					1		3012800	HET
	28	T	17519-ZM5-003	JOINT, FUEL TANK.....	1	2308815	3011889	S4, SATM, SAU, SAUT, SD, SD2, SD2T, SDC, SDM, SDM1, SDT, SGT3, SGT9, SJ SJD, SJS, SJT, SK, SKN, SKT, SMY, ST3E, ST4, SUT, WAU, WD, WJ
					1	2653929		W3C
					1	3012801	3017922	HET
E-19	1	T	30500-Z0H-801	COIL ASSY., IGNITION.....	1	1144745		TESC, TEZ, TEZA, TEZE, TEZL, TEZR
		D	30500-Z0H-802	1			TEZL/A, TEZR/A
					1	1144746		TESC, TEZ, TEZA, TEZE, TEZL, TEZR
E-22	10	L	35120-Z0D-V81	SWITCH ASSY., ENGINE STOP.....	1	2999051		W3C, WAU, WD, WJ
		D	35120-Z0T-821	SWITCH ASSY., ENGINE STOP (TOYO DENSO)	1			WAU/A, WAUM, WJM
					1	2999052		W3C, WAU, WD, WJ
E-27	2	L	90015-Z0H-003	BOLT, TOP COVER.....	1			HAT, HAT/A, HET, HET/A, HUT
					1	1136777		TESC, TEZ, TEZA, TEZE, TEZL, TEZR
					1	2353583		S4, SATM, SAU, SAUT, SD, SD2, SD2T, SDC, SDM, SDM1, SDT, SGT3, SGT9, SJ SJD, SJS, SJT, SK, SKB, SKN, SKT, SMY, ST3E, ST4, SUT, TD, TGT9, TJ, W3C WAU, WD, WJ
		T	90015-Z3E-900	1			S4/A, SATM/A, SAU/A, SAUT/A, SBT, SGT3/A, ST4/A, SUT/A, TEZL/A TEZR/A, TGT9/A, WAU/A, WAUM, WJM
					1	1136778		TESC, TEZ, TEZA, TEZE, TEZL, TEZR
					1	2353584		S4, SATM, SAU, SAUT, SD, SD2, SD2T, SDC, SDM, SDM1, SDT, SGT3, SGT9, SJ SJD, SJS, SJT, SK, SKB, SKN, SKT, SMY, ST3E, ST4, SUT, TD, TGT9, TJ, W3C WAU, WD, WJ
E-28	14	L	87114-Z3E-000	LABEL, WARNING (NOT CERTIFIED FOR SALE)	1	2653928		W3C

NOTE A:PART NO. CHANGE D:NEWLY PROVIDED E:PART NO. DELETION K:REQUIRED NO. CORRECTION L:APPLICATION SERIAL NO. CORRECTION
M:PART DESCRIPTION CORRECTION T:APPLICATION CORRECTION Z:REMARKS CHANGE

PARTS CATALOGUE NEWS

BOOKNo. : 13Z3E602

Block No.	Ref. No.	Note	Part No.	Description	Reqd. QTY	Serial No.		Parts catalogue code
					6X 25 1			
		D	87114-ZH7-850	1	-----	-----	SATM/A, SAU/A, SAUT/A, SUT/A, WAU/A, WAUM
					1	3468462	-----	SATM, SAU, SAUT, SUT, WAU
	15	L	87516-Z6J-000	MARK, OPERATOR CAUTION (ENGLISH)	1	-----	2653928	W3C
		D	87516-Z6J-800	MARK, OPERATOR CAUTION (FRENCH)	1	-----	2653928	W3C
	17	D	87114-ZH7-850	LABEL, WARNING (NOT CERTIFIED FOR SALE)	1	3468462	-----	SATS

NOTE A:PART NO. CHANGE D:NEWLY PROVIDED E:PART NO.DELETION K:REQUIRED NO. CORRECTION L:APPLICATION SERIAL NO. CORRECTION
M:PART DESCRIPTION CORRECTION T:APPLICATION CORRECTION Z:REMARKS CHANGE

HONDA PARTS CATALOGUE NEWS

PARTS CATALOGUE - CORRECTED

CODE NO.	13Z3E602
PARTS CATALOGUE NEWS	GX25T
NEWS NO.	025

Block No.	Ref. No.	Note	Part No.	Description	Reqd. QTY	Serial No.	Parts catalogue code		
					GX 25 T				
E-2	1	L	10100-23E-405	CRANKCASE SET.....	1	-----	HUT, SD2, SDM, SGT9, SKT, SMY, ST3E, TD, TESC, TEZ, TEZA, TEZE		
					1	-----	1183029	TEZL, TEZR	
					1	-----	1213601	HAT	
					1	-----	3019204	HET	
					1	-----	3459656	S4, SATM, SATS, SAU, SAUT, SBT, SD, SD2T, SDC, SDM1, SDT, SGT3, SJ, SJD SJS, SJT, SK, SKB, SKN, ST4, SUT, TGT9, TJ, W3C, WAU, WD, WJ	
			T	10100-23E-415	1	-----	-----	HAT/A, HET/A, S4/A, SATM/A, SAU/A, SAUT/A, SGT3/A, ST4/A, SUT/A TEZL/A, TEZR/A, TGT9/A, WAU/A, WAUM, WJM
						1	-----	1183030	TEZL, TEZR
						1	-----	1213602	HAT
						1	-----	3019205	HET
						1	-----	3459657	S4, SATM, SATS, SAU, SAUT, SBT, SD, SD2T, SDC, SDM1, SDT, SGT3, SJ, SJD SJS, SJT, SK, SKB, SKN, ST4, SUT, TGT9, TJ, W3C, WAU, WD, WJ
26	E	11218-Z0H-K00	*PART NO. DELETION						
E-7	4	L	13310-23E-000	CRANKSHAFT COMP.....	1	-----	HET/A, TEZL/A, TEZR/A, TGT9/A		
					1	-----	1515360	HAT/A	
					1	-----	4106943	S4/A, SATM/A, SATS, SAU/A, SAUT/A, SBT, SGT3/A, ST4/A, SUT/A	

NOTE A:PART NO. CHANGE D:NEWLY PROVIDED E:PART NO. DELETION K:REQUIRED NO. CORRECTION L:APPLICATION SERIAL NO. CORRECTION
M:PART DESCRIPTION CORRECTION T:APPLICATION CORRECTION Z:REMARKS CHANGE

PARTS CATALOGUE NEWS

BOOKNo. : 13Z3E602

Block No.	Ref. No.	Note	Part No.	Description	Reqd. QTY	Serial No.	Parts catalogue code
					6X 25 T		
					1	1114862	HAT, HET, HUT
					1	1147298	TESC, TEZ, TEZA, TEZE, TEZL, TEZR
					1	2565502	S4, SATM, SAU, SAUT, SD2, SDM, SGT3, SGT9, SKT, SMY, ST3E, ST4, SUT, TD TGT9, TJ
					1	2565502 4106943	SD, SD2T, SDC, SDM1, SDT, SJ, SJD, SJS, SJT, SK, SKB, SKN
		T	13310-Z3E-800	1	-----	WAU/A, WAUM, WJM
					1	2571732	W3C, WAU, WD, WJ
		D	13310-Z3E-900	1	1515361	HAT/A
					1	4106944	S4/A, SATM/A, SATS, SAU/A, SAUT/A, SBT, SD, SD2T, SDC, SDM1, SDT SGT3/A, SJ, SJD, SJS, SJT, SK, SKB, SKN, ST4/A, SUT/A
	7	L	13310-Z3E-305	CRANKSHAFT COMP.	(1)	-----	HET/A, TEZL/A, TEZR/A, TGT9/A
					(1)	1515360	HAT/A
					(1)	4106943	S4/A, SATM/A, SATS, SAU/A, SAUT/A, SBT, SGT3/A, ST4/A, SUT/A
					(1)	1114862	HAT, HET, HUT
					(1)	1147298	TESC, TEZ, TEZA, TEZE, TEZL, TEZR
					(1)	2565502	S4, SATM, SAU, SAUT, SD2, SDM, SGT3, SGT9, SKT, SMY, ST3E, ST4, SUT, TD TGT9, TJ
					(1)	2565502 4106943	SD, SD2T, SDC, SDM1, SDT, SJ, SJD, SJS, SJT, SK, SKB, SKN
		T	13310-Z3E-306	(1)	-----	WAU/A, WAUM, WJM
					(1)	2571732	W3C, WAU, WD, WJ
		D	13310-Z3E-309	(1)	1515361	HAT/A
					(1)	4106944	S4/A, SATM/A, SATS, SAU/A, SAUT/A, SBT, SD, SD2T, SDC, SDM1, SDT SGT3/A, SJ, SJD, SJS, SJT, SK, SKB, SKN, ST4/A, SUT/A
E-14	25	T	16221-Z0H-000	PACKING, CARBURETOR.	1	-----	SD2, SGT9, SKT, SMY, ST3E, TD, TESC, TEZ, TEZA, TEZE
		T	16221-Z0H-010	1	-----	S4, S4/A, SATM, SATM/A, SAU, SAU/A, SAUT, SAUT/A, SBT, SD, SD2T, SDC SDT, SGT3, SGT3/A, SJ, SJS, SJT, SK, SKN, ST4, ST4/A, SUT, SUT/A, TEZL TEZL/A, TEZR, TEZR/A, TGT9, TGT9/A, TJ

NOTE A:PART NO. CHANGE D:NEWLY PROVIDED E:PART NO. DELETION K:REQUIRED NO. CORRECTION L:APPLICATION SERIAL NO. CORRECTION
M:PART DESCRIPTION CORRECTION T:APPLICATION CORRECTION Z:REMARKS CHANGE

PARTS CATALOGUE NEWS

BOOKNo. : 13Z3E602

Block No.	Ref. No.	Note	Part No.	Description	Reqd. QTY		Serial No.	Parts catalogue code
					6X 25 T			
	26	T	16222-Z0H-800	PACKING, SHROUD.....	1		-----	SDM, W3C
		T	16222-Z0H-801	1		-----	SDM1, SJD, SKB, WAU, WAU/A, WAUM, WD, WJ, WJM
E-15-1	12	T	91503-ZM3-000	COLLAR, AIR CLEANER.....	2		-----	SATM/A, SATS, SKN, TD, TEZ, TEZA, TEZE, TEZL, TEZL/A, TEZR, TEZR/A TGT9, TGT9/A, TJ
					2	2485134	-----	SATM
E-17	8	T	17620-ZM3-063	CAP ASSY., FUEL TANK.....	1		-----	S4, SATM, SATS, SAU, SAUT, SD, SD2, SD2T, SDC, SDM, SDM1, SDT, SGT3 SGT9, SJ, SJD, SJS, SJT, SK, SKN, SKT, SMY, ST3E, ST4, SUT, W3C, WAU, WD WJ
					1	2653929	-----	W3C
	9	L	17620-ZM3-817	CAP ASSY., FUEL TANK.....	1		-----	HAT, HET, HUT, S4, SGT3, SGT9, ST3E, ST4
					1	2653928	-----	W3C
	28	L	17519-Z6J-003	JOINT, FUEL TANK.....	1		-----	3011889 W3C
					1	1059956	-----	HAT
	29	T	17702-Z0H-003	TUBE, FUEL RETURN.....	1		-----	3011889 W3C
					1	1059956	-----	HAT
					1	2308815	3011889	S4, SATM, SAU, SAUT, SD, SD2, SD2T, SDC, SDM, SDM1, SDT, SGT3, SGT9, SJ SJD, SJS, SJT, SK, SKN, SKT, SMY, ST3E, ST4, SUT, WAU, WD, WJ
					1	3012801	3017922	HET
	30	T	17701-Z0H-800	TUBE COMP., FUEL FEED.....	1		-----	2308815 3011889 S4, SATM, SAU, SAUT, SD, SD2, SD2T, SDC, SDM, SDM1, SDT, SGT3, SGT9, SJ SJD, SJS, SJT, SK, SKN, SKT, SMY, ST3E, ST4, SUT, WAU, WD, WJ
					1	2653929	-----	W3C
					1	3012801	3017922	HET

NOTE A:PART NO. CHANGE D:NEWLY PROVIDED E:PART NO. DELETION K:REQUIRED NO. CORRECTION L:APPLICATION SERIAL NO. CORRECTION
M:PART DESCRIPTION CORRECTION T:APPLICATION CORRECTION Z:REMARKS CHANGE

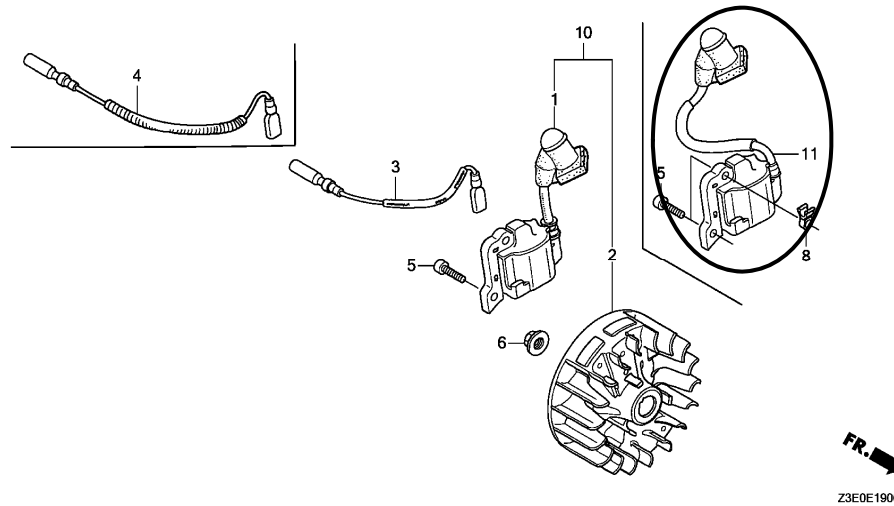
PARTS CATALOGUE NEWS

BOOKNo. : 13Z3E602

Block No.	Ref. No.	Note	Part No.	Description	Reqd. QTY GX 25 ↑	Serial No.	Parts catalogue code
-----------	----------	------	----------	-------------	----------------------------	------------	----------------------

E-19 FLYWHEEL

Ref. No.	LON	(Relative ref. Number) Description	FRT
1		(7, 11) 6141A5 COIL, IGNITION (ONE)	0.1



E-19	7	E	30500-Z3E-K03	*PART NO. DELETION			
	9	E	30700-Z0H-K01	*PART NO. DELETION			
	11	D	30500-Z3E-T61	COIL ASSY., IGNITION.....	1	-----	SATS
E-27	1	L	19720-Z0H-000ZB	COVER COMP., TOP *R280*..... POWER RED	1	-----	SD2, SDM, SKT, SMY
					1	-----	3502720 S4, SAU, SAUT, SBT, SD, SD2T, SDC, SDM1, SDT, SJ, SJD, SJS, SJT, SK, SKB, SKN, ST4, SUT, W3C, WAU, WD, WJ
		D	19720-Z0H-000ZG	*NH1*..... BLACK	1	-----	3502720 SD, SDC, SDT
		T	19720-Z0H-010ZB	*R280*..... POWER RED	1	-----	S4/A, ST4/A, WJM
					1	3502721	----- S4, SBT, SJ, SJD, SJS, SJT, SKN, ST4, W3C, WJ
		T	19720-Z3E-900ZA	*R280*..... POWER RED	1	-----	SAU/A, SAUT/A, SUT/A, WAU/A, WAUM
					1	3502721	----- SAU, SAUT, SD, SD2T, SDC, SDM1, SDT, SK, SKB, SUT, WAU, WD
		L	19720-Z0H-000ZC	*T92*..... STIGA YELLOW	1	-----	3502720 SGT3

NOTE A:PART NO. CHANGE D:NEWLY PROVIDED E:PART NO. DELETION K:REQUIRED NO. CORRECTION L:APPLICATION SERIAL NO. CORRECTION
M:PART DESCRIPTION CORRECTION T:APPLICATION CORRECTION Z:REMARKS CHANGE

PARTS CATALOGUE NEWS

BOOKNo. : 13Z3E602

Block No.	Ref. No.	Note	Part No.	Description	Reqd. QTY		Serial No.	Parts catalogue code
					6X 25 I			
		T	19720-Z0H-010ZC	*T92*..... STIGA YELLOW	1		-----	SGT3/A
					1	3502721	-----	SGT3
E-28	3	L	87521-Z3E-010	MARK, EMBLEM.....	1		-----	SD2, ST3E
					1	3502720	-----	S4, SATS, SBT, SD2T, SDC, SGT3, SKB, ST4, W3C, WAU
					1	1236701	-----	SDM, SKT, TD
					1	1236701	3502720	SATM, SAU, SAUT, SD, SDM1, SDT, SJ, SJD, SJS, SJT, SK, SKN, SUT, TJ, WD WJ
	11	L	87660-Z0H-000	MARK (4-STROKE).....	1		-----	SD2, SDM, SKT, SMY, ST3E
					1	3502720	-----	S4, SATM, SAU, SAUT, SBT, SD, SD2T, SDC, SDM1, SDT, SGT3, SJ, SJD, SJS SJT, SK, SKB, SKN, ST4, W3C, WAU, WD, WJ
		T	87660-Z3E-900	1		-----	S4/A, SATM/A, SAU/A, SAUT/A, SGT3/A, ST4/A, WAU/A, WAUM, WJM
					1	3502721	-----	S4, SATM, SAU, SAUT, SBT, SD, SD2T, SDC, SDM1, SDT, SGT3, SJ, SJD, SJS SJT, SK, SKB, SKN, ST4, W3C, WAU, WD, WJ
	18	T	87521-Z3E-900	MARK, EMBLEM.....	1		-----	S4/A, SATM/A, SAU/A, SAUT/A, SGT3/A, ST4/A, SUT/A, WAU/A, WAUM, WJM
					1	3502721	-----	S4, SATM, SATS, SAU, SAUT, SBT, SD, SD2T, SDC, SDM1, SDT, SGT3, SJ, SJD SJS, SJT, SK, SKB, SKN, ST4, SUT, TJ, W3C, WAU, WD, WJ

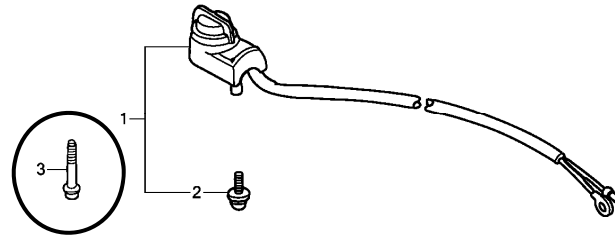
NOTE A:PART NO. CHANGE D:NEWLY PROVIDED E:PART NO. DELETION K:REQUIRED NO. CORRECTION L:APPLICATION SERIAL NO. CORRECTION
M:PART DESCRIPTION CORRECTION T:APPLICATION CORRECTION Z:REMARKS CHANGE

PARTS CATALOGUE NEWS

BOOKNo. : 13Z3E602

Block No.	Ref. No.	Note	Part No.	Description	Reqd. QTY GX 25 I	Serial No.	Parts catalogue code
-----------	----------	------	----------	-------------	----------------------------	------------	----------------------

E-40 OTHER PARTS



Z3E0E4000A

E-40	3	D	90010-Z0Z-003	BOLT, SOCKET, 5X32.....	3	-----	SATS
------	---	---	---------------	-------------------------	---	-------	------

NOTE A:PART NO. CHANGE D:NEWLY PROVIDED E:PART NO. DELETION K:REQUIRED NO. CORRECTION L:APPLICATION SERIAL NO. CORRECTION
M:PART DESCRIPTION CORRECTION T:APPLICATION CORRECTION Z:REMARKS CHANGE

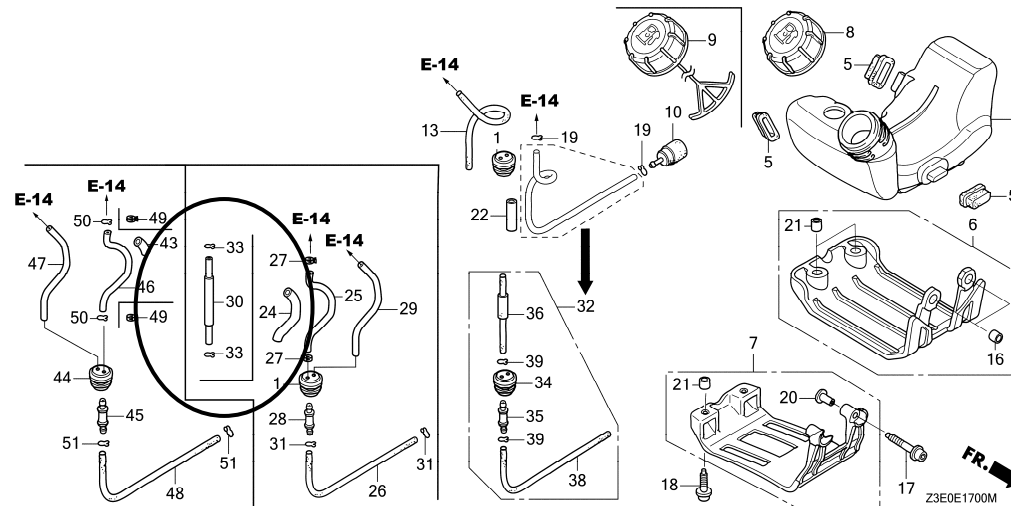
HONDA PARTS CATALOGUE NEWS

PARTS CATALOGUE - CORRECTED

CODE NO.	13Z3E602
PARTS CATALOGUE NEWS	GX25T
NEWS NO.	026

Block No.	Ref. No.	Note	Part No.	Description	Reqd. QTY GX 25 T	Serial No.	Parts catalogue code
-----------	----------	------	----------	-------------	----------------------------	------------	----------------------

E-17 FUEL TANK(1)



E-17	2	T	17511-ZOH-023	TANK, FUEL.....	1	-----	HET, HET/A, HUT, S4, S4/A, SATM, SATM/A, SATS, SAU, SAU/A, SAUT, SAUT/A, SD, SD2, SD2T, SDC, SDM, SDM1, SDT, SGT3, SGT3/A, SGT9, SJ, SJB, SJD, SJS, SJT, SK, SKN, SKT, SMY, ST3E, ST4, ST4/A, SUT, SUT/A, WAU, WAU/A, WAUM, WD, WJ, WJM
------	---	---	---------------	-----------------	---	-------	---

NOTE A:PART NO. CHANGE D:NEWLY PROVIDED E:PART NO. DELETION K:REQUIRED NO. CORRECTION L:APPLICATION SERIAL NO. CORRECTION
M:PART DESCRIPTION CORRECTION T:APPLICATION CORRECTION Z:REMARKS CHANGE

PARTS CATALOGUE NEWS

BOOKNo. : 13Z3E602

Block No.	Ref. No.	Note	Part No.	Description	Reqd. QTY GX 25 T	Serial No.	Parts catalogue code
					1	----- 1007683	HAT
					1	2653929 -----	W3C
	8	L	17620-ZM3-063	CAP ASSY., FUEL TANK.....	1	-----	SATM, SATS, SAU, SAUT, SD, SD2, SD2T, SDC, SDM, SDM1, SDT, SJ, SJD SJS, SJT, SK, SKN, SKT, SMY, SUT, WAU, WD, WJ
					1	----- 2587075	S4, SGT3, SGT9, ST3E, ST4
					1	2653929 -----	W3C
	9	L	17620-ZM3-817	CAP ASSY., FUEL TANK.....	1	-----	HAT, HET, HUT
					1	----- 2653928	W3C
					1	2587076 -----	S4, SGT3, SGT9, ST3E, ST4
	19	L	91401-ZM3-003	CLIP, TUBE.....	2	-----	HUT
					2	----- 1059955	HAT
					2	----- 2308814	S4, SATM, SAU, SAUT, SD, SD2, SD2T, SDC, SDM, SDM1, SDT, SGT3, SGT9 SJ, SJD, SJS, SJT, SK, SKN, SKT, SMY, ST3E, ST4, SUT, W3C, WAU, WD, WJ
					2	----- 3012800	HET
	22	L	16865-Z6J-000	PROTECTOR, TUBE.....	1	-----	HUT
					1	----- 1059955	HAT
					1	----- 2308814	S4, SATM, SAU, SAUT, SD, SD2, SD2T, SDC, SDM, SDM1, SDT, SGT3, SGT9 SJ, SJD, SJS, SJT, SK, SKN, SKT, SMY, ST3E, ST4, SUT, WAU, WD, WJ
					1	----- 3012799	HET
	24	L	16865-Z6K-000	PROTECTOR, TUBE.....	1	1059956 1158553	HAT
					1	2308815 2653928	W3C
	25	L	17701-Z6J-003	TUBE, FUEL.....	1	1059956 1158553	HAT
					1	2308815 2653928	W3C
	26	L	17703-Z0H-J71	TUBE A, FUEL.....	1	1059956 1158553	HAT
					1	2308815 3011889	S4, SATM, SAU, SAUT, SD, SD2, SD2T, SDC, SDM, SDM1, SDT, SGT3, SGT9 SJ, SJD, SJS, SJT, SK, SKN, SKT, SMY, ST3E, ST4, SUT, W3C, WAU, WD, WJ
					1	3012801 3017922	HET

NOTE A:PART NO. CHANGE D:NEWLY PROVIDED E:PART NO. DELETION K:REQUIRED NO. CORRECTION L:APPLICATION SERIAL NO. CORRECTION
M:PART DESCRIPTION CORRECTION T:APPLICATION CORRECTION Z:REMARKS CHANGE

PARTS CATALOGUE NEWS

BOOKNo. : 13Z3E602

Block No.	Ref. No.	Note	Part No.	Description	Reqd. QTY GX 25 T	Serial No.	Parts catalogue code
	27	L	90601-Z6J-003	CLAMP, TUBE.....	2	1059956 1141911	HAT
					2	2308815 2653928	W3C
		D	90601-Z6J-801	CLAMP, TUBE (D5.5).....	2	1141912 1158553	HAT
	28	L	17519-Z6J-003	JOINT, FUEL TANK.....	1	1059956 1158553	HAT
					1	2308815 2653928	W3C
		L	17519-ZM5-003	FITTING.....	1	2308815 3011889	S4, SATM, SAU, SAUT, SD, SD2, SD2T, SDC, SDM, SDM1, SDT, SGT3, SGT9 SJ, SJD, SJS, SJT, SK, SKN, SKT, SMY, ST3E, ST4, SUT, WAU, WD, WJ
					1	2653929 3011889	W3C
					1	3012801 3017922	HET
	29	L	17702-Z0H-003	TUBE, FUEL RETURN.....	1	1059956 1158553	HAT
					1	2308815 3011889	S4, SATM, SAU, SAUT, SD, SD2, SD2T, SDC, SDM, SDM1, SDT, SGT3, SGT9 SJ, SJD, SJS, SJT, SK, SKN, SKT, SMY, ST3E, ST4, SUT, W3C, WAU, WD, WJ
					1	3012801 3017922	HET
	30	L	17701-Z0H-800	TUBE COMP., FUEL FEED.....	1	2308815 3011889	S4, SATM, SAU, SAUT, SD, SD2, SD2T, SDC, SDM, SDM1, SDT, SGT3, SGT9 SJ, SJD, SJS, SJT, SK, SKN, SKT, SMY, ST3E, ST4, SUT, WAU, WD, WJ
					1	2653929 3011889	W3C
					1	3012801 3017922	HET
	31	L	91401-ZM3-003	CLIP, TUBE.....	2	1059956 1141911	HAT
					2	2308815 2782100	S4, SATM, SAU, SAUT, SD, SD2, SD2T, SDC, SDM, SDM1, SDT, SGT3, SGT9 SJ, SJD, SJS, SJT, SK, SKN, SKT, SMY, ST3E, ST4, SUT, W3C, WAU, WD, WJ
					2	3012801 3017922	HET
		D	91401-Z3E-000	CLIP, TUBE (B1 5).....	2	1141912 1158553	HAT
					2	2782101 3011889	S4, SATM, SAU, SAUT, SD, SD2, SD2T, SDC, SDM, SDM1, SDT, SGT3, SGT9 SJ, SJD, SJS, SJT, SK, SKN, SKT, SMY, ST3E, ST4, SUT, W3C, WAU, WD, WJ
	33	D	91401-ZM3-003	CLIP, TUBE.....	2	2308815 2782100	S4, SATM, SAU, SAUT, SD, SD2, SD2T, SDC, SDM, SDM1, SDT, SGT3, SGT9 SJ, SJD, SJS, SJT, SK, SKN, SKT, SMY, ST3E, ST4, SUT, WAU, WD, WJ
					2	2653929 2782100	W3C

NOTE A:PART NO. CHANGE D:NEWLY PROVIDED E:PART NO. DELETION K:REQUIRED NO. CORRECTION L:APPLICATION SERIAL NO. CORRECTION
M:PART DESCRIPTION CORRECTION T:APPLICATION CORRECTION Z:REMARKS CHANGE

PARTS CATALOGUE NEWS

BOOKNo. : 13Z3E602

Block No.	Ref. No.	Note	Part No.	Description	Reqd. QTY GX 25 T	Serial No.	Parts catalogue code
					2	3012801 3017922	HET
		D	91401-Z3E-000	CLIP, TUBE (B1 5).....	2	2782101 3011889	S4, SATM, SAU, SAUT, SD, SD2, SD2T, SDC, SDM, SDM1, SDT, SGT3, SGT9 SJ, SJD, SJS, SJT, SK, SKN, SKT, SMY, ST3E, ST4, SUT, W3C, WAU, WD, WJ
E-17-1	2	L	17504-ZM3-003	GROMMET, FUEL TUBE.....	1	----- 1164105	TESC, TEZ, TEZA, TEZE, TEZL, TEZR
					1	----- 3064779	TD, TGT9, TJ
	4	L	17519-ZM5-003	FITTING.....	2	----- 1164105	TESC, TEZ, TEZA, TEZE, TEZL, TEZR
					2	----- 3064779	TD, TGT9, TJ
	8	L	17701-Z0H-800	TUBE COMP., FUEL FEED.....	1	----- 1164105	TESC
					1	1134218 3064779	TD, TJ
					1	1137838 1164105	TEZ, TEZA, TEZE, TEZL, TEZR
					1	1137838 3064779	TGT9
	10	L	17702-Z0H-821	TUBE, FUEL RETURN.....	1	----- 1164105	TESC, TEZ, TEZA, TEZE, TEZL, TEZR
					1	----- 3064779	TGT9
					1	1002909 3064779	TD, TJ
	11	L	17703-Z0H-821	TUBE A, FUEL.....	1	----- 1164105	TESC, TEZ, TEZA, TEZE, TEZL, TEZR
					1	----- 3064779	TD, TGT9, TJ
	12	L	91401-ZM3-003	CLIP, TUBE.....	4	----- 1156953	TESC, TEZ, TEZA, TEZE, TEZL, TEZR
					4	----- 2782100	TD, TGT9, TJ
		D	91401-Z3E-000	CLIP, TUBE (B1 5).....	4	1156954 1164105	TESC, TEZ, TEZA, TEZE, TEZL, TEZR
					4	2782101 3064779	TD, TGT9, TJ
	13	L	16865-Z6J-010	PROTECTOR, TUBE.....	1	-----	TEZL/A, TEZR/A, TGT9/A
					1	1164106	TESC, TEZ, TEZA, TEZE, TEZL, TEZR
					1	3064780	TD, TGT9, TJ
	14	L	17504-ZM3-003	GROMMET, FUEL TUBE.....	1	-----	TEZL/A, TEZR/A, TGT9/A
					1	1164106	TESC, TEZ, TEZA, TEZE, TEZL, TEZR

NOTE A:PART NO. CHANGE D:NEWLY PROVIDED E:PART NO. DELETION K:REQUIRED NO. CORRECTION L:APPLICATION SERIAL NO. CORRECTION
M:PART DESCRIPTION CORRECTION T:APPLICATION CORRECTION Z:REMARKS CHANGE

PARTS CATALOGUE NEWS

BOOKNo. : 13Z3E602

Block No.	Ref. No.	Note	Part No.	Description	Reqd. QTY GX 25 T	Serial No.	Parts catalogue code
					1	3064780 -----	TD, TGT9, TJ
	15	L	17519-ZM5-003	FITTING.....	2	-----	TEZL/A, TEZR/A, TGT9/A
					2	1164106 -----	TESC, TEZ, TEZA, TEZE, TEZL, TEZR
					2	3064780 -----	TD, TGT9, TJ
	16	L	17701-Z0H-801	TUBE, FUEL FEED.....	1	1164106 -----	TESC, TEZ, TEZA, TEZE, TEZL, TEZR
					1	3064780 -----	TD, TGT9, TJ
	17	L	17702-Z6K-003	TUBE, FUEL RETURN.....	1	-----	TEZL/A, TEZR/A, TGT9/A
					1	1164106 -----	TESC, TEZ, TEZA, TEZE, TEZL, TEZR
					1	3064780 -----	TD, TGT9, TJ
	18	L	17703-Z0H-821	TUBE A, FUEL.....	1	-----	TEZL/A, TEZR/A, TGT9/A
					1	1164106 -----	TESC, TEZ, TEZA, TEZE, TEZL, TEZR
					1	3064780 -----	TD, TGT9, TJ
	19	L	91401-Z3E-000	CLIP, TUBE(B1 5).....	4	-----	TEZL/A, TEZR/A, TGT9/A
					4	1164106 -----	TESC, TEZ, TEZA, TEZE, TEZL, TEZR
					4	3064780 -----	TD, TGT9, TJ

NOTE A:PART NO. CHANGE D:NEWLY PROVIDED E:PART NO. DELETION K:REQUIRED NO. CORRECTION L:APPLICATION SERIAL NO. CORRECTION
M:PART DESCRIPTION CORRECTION T:APPLICATION CORRECTION Z:REMARKS CHANGE

July 10, 2023

HONDA PARTS CATALOGUE NEWS

PARTS CATALOGUE - CORRECTED

CODE NO.	13Z3E602
PARTS CATALOGUE NEWS	GX25T
NEWS NO.	027

Block No.	Ref. No.	Note	Part No.	Description	Reqd. QTY	Serial No.	Parts catalogue code
					GX 25 T		
E-10	8	E	14771-Z0H-000	*PART NO. DELETION			
		T	14771-Z3F-000	RETAINER, VALVE SPRING	2		

NOTE A:PART NO. CHANGE D:NEWLY PROVIDED E:PART NO. DELETION K:REQUIRED NO. CORRECTION L:APPLICATION SERIAL NO. CORRECTION
M:PART DESCRIPTION CORRECTION T:APPLICATION CORRECTION Z:REMARKS CHANGE

HONDA PARTS CATALOGUE NEWS

PARTS CATALOGUE - CORRECTED

CODE NO.	13Z3E602
PARTS CATALOGUE NEWS	GX25T
NEWS NO.	028

Block No.	Ref. No.	Note	Part No.	Description	Reqd. QTY	Serial No.	Parts catalogue code
					GX 25 T		
E-14	5	T	16015-Z0H-013	BODY ASSY., PUMP.....	1	-----	HET, HET/A, HUT, S4, S4/A, SATM, SATM/A, SATS, SAU, SAU/A, SAUT SAUT/A, SD, SD2, SD2T, SDC, SDM, SDM1, SDT, SGT3, SGT3/A, SGT9, SJ SJB, SJD, SJS, SJT, SK, SKN, SKT, SMY, ST3E, ST4, ST4/A, SUT, SUT/A TD, TESC, TEZ, TEZA, TEZE, TEZLY, TEZL/A, TEZR, TEZR/A, TGT9 TGT9/A, TJ, WAU, WAU/A, WAUM, WD, WJ, WJM
				(CARBURETOR NO.)	1	WYB 21B	W3C
		T	16015-Z6J-003	1	-----	1158553 HAT
				(CARBURETOR NO.)	1	-----	WYB 35 W3C
		T	16015-Z6J-013	1	1158554	HAT
		D	16015-Z6J-023	1	-----	HAT/A
	21	T	16032-ZM3-004	PUMP, PRIMER.....	1	-----	HET, HET/A, HUT, S4, SATM, SATM/A, SAU, SAUT, SBT, SD2, SD2T, SDC SDM, SDT, SGT3, SGT3/A, SGT9, SKB, SKT, SMY, ST3E, ST4, SUT, SUT/A TD, TESC, TEZ, TEZA, TEZE, TGT9, TGT9/A, W3C, WD
		D	16032-ZM3-014	1	-----	HAT, HAT/A, S4/A, SATS, SAU/A, SAUT/A, SD, SDM1, SJ, SJB, SJD, SJS SJT, SK, SKN, ST4/A, TEZL, TEZL/A, TEZR, TEZR/A, TJ, WAU, WAU/A WAUM, WJ, WJM
	23	E	16100-Z6J-WB2	*PART NO. DELETION			
		T	16100-Z0H-043	CARBURETOR ASSY. (WYB 6D).....	1	-----	3006400 HET
		T	16100-Z0H-053	CARBURETOR ASSY. (WYB 6F/G).....	1	-----	S4, SGT3, SGT9, ST3E, ST4, TGT9

NOTE A:PART NO. CHANGE D:NEWLY PROVIDED E:PART NO. DELETION K:REQUIRED NO. CORRECTION L:APPLICATION SERIAL NO. CORRECTION
M:PART DESCRIPTION CORRECTION T:APPLICATION CORRECTION Z:REMARKS CHANGE

PARTS CATALOGUE NEWS

BOOKNo. :13Z3E602

Block No.	Ref. No.	Note	Part No.	Description	Reqd. QTY	Serial No.	Parts catalogue code
					GX 25 T		
					1	----- 2121630	SDC
					1	1653998 -----	SD, SD2, SD2T, SDM, SDM1, SDT, SJ, SJS, SJT, SK, SKN, SKT, SMY, TD, TJ
					1	3006401 -----	HET
		T	16100-Z0H-805	CARBURETOR ASSY. (WYB 7E/F).....	1	----- -----	HET/A, SGT3/A, SUT/A, TGT9/A
					1	1713500 -----	SAU, SAUT, SUT
					1	1713500 2485133	SATM
					1	2003961 -----	HUT
					1	2121631 -----	SDC
		D	16100-Z0H-806	CARBURETOR ASSY. (WYB 7E/F).....	1	----- -----	S4/A, SAU/A, SAUT/A, SJB, SJD, ST4/A, WAUM, WJM
		T	16100-Z0H-834	CARBURETOR ASSY. (WYB 10B/C)...	1	1662362 -----	WD
		D	16100-Z0H-835	1	----- -----	WJ
		D	16100-Z0H-864	CARBURETOR ASSY. (WYB 19D/E)...	1	----- -----	TEZL/A, TEZR/A
		T	16100-Z0H-G93	CARBURETOR ASSY. (WYB 21B/C)...	1	2216307 -----	W3C
		D	16100-Z0H-G94	1	----- -----	WAU, WAU/A
		T	16100-Z0H-K14	CARBURETOR ASSY. (WYB 17B/C)...	1	----- -----	SATM/A
					1	2485134 -----	SATM
		D	16100-Z0H-K15	1	----- -----	SATS
		D	16100-Z6J-WB4	CARBURETOR ASSY. (WYB 46A).....	1	----- -----	HAT/A
	33	E	99101-ZM5-0320	*PART NO. DELETION			
		T	99101-ZM5-0340	JET (#34).....	1	----- -----	HAT, HET, S4, SD, SD2, SD2T, SDM, SDM1, SDT, SGT3, SGT9, SJ, SJS, SJT, SK, SKN, SKT, SMY, ST3E, ST4, TD, TESC, TEZ, TEZA, TEZE, TEZL, TEZL/A, TEZR, TEZR/A, TGT9, TJ, WD, WJ
					(1)	----- -----	HAT/A, HET/A, HUT, S4/A, SATM, SATM/A, SATS, SAU, SAU/A, SAUT, SAUT/A, SBT, SGT3/A, SJB, SJD, SKB, ST4/A, SUT, SUT/A, TGT9/A, WAU, WAU/A, WAUM, WJM
				(CARBURETOR NO.)	1	----- WYB 35	W3C

NOTE A:PART NO. CHANGE D:NEWLY PROVIDED E:PART NO. DELETION K:REQUIRED NO. CORRECTION L:APPLICATION SERIAL NO. CORRECTION
M:PART DESCRIPTION CORRECTION T:APPLICATION CORRECTION Z:REMARKS CHANGE

PARTS CATALOGUE NEWS

BOOKNo. : 13Z3E602

Block No.	Ref. No.	Note	Part No.	Description	Reqd. QTY	Serial No.		Parts catalogue code
					GX 25 T			
				(CARBURETOR NO.)	1	-----	WYB 6F	SDC
				(CARBURETOR NO.)	(1)		WYB 7E	SDC
				(CARBURETOR NO.)	(1)		WYB 21B	W3C
		T	99101-ZM5-0350	JET (#35).....	1	-----	-----	HAT/A, HET/A, HUT, S4/A, SATM, SATM/A, SATS, SAU, SAU/A, SAUT SAUT/A, SBT, SGT3/A, SJB, SJD, SKB, ST4/A, SUT, SUT/A, TGT9/A, WAU WAU/A, WAUM, WJM
				(CARBURETOR NO.)	1		WYB 7E	SDC
				(CARBURETOR NO.)	1		WYB 21B	W3C
		T	99101-Z0H-0320	JET (#32).....	(1)	-----	-----	HAT, HET, S4, SD, SD2, SD2T, SDM, SDM1, SDT, SGT3, SGT9, SJ, SJS, SJT SK, SKN, SKT, SMY, ST3E, ST4, TD, TESC, TEZ, TEZA, TEZE, TEZL, TEZL/A TEZR, TEZR/A, TGT9, TJ, WD, WJ
				(CARBURETOR NO.)	(1)	-----	WYB 35	W3C
				(CARBURETOR NO.)	(1)	-----	WYB 6F	SDC
E-17	9	L	17620-ZM3-817	CAP ASSY., FUEL TANK.....	1	-----	-----	HET, HUT
					1	-----	1228961	HAT
					1	-----	2653928	W3C
					1		2587076	S4, SGT3, SGT9, ST3E, ST4
		T	17620-ZM3-818	1	-----	-----	HAT/A, HET/A, S4/A, SGT3/A, ST4/A
					1		1228962	HAT
	43		16865-Z6J-010	PROTECTOR, TUBE.....	1	-----	-----	HET/A, S4/A, SATM/A, SATS, SAU/A, SAUT/A, SGT3/A, SJB, ST4/A SUT/A, WAU/A, WAUM, WJM
					1	-----	1523040	HAT/A
					1		1158554	HAT
					1		3011890	S4, SATM, SAU, SAUT, SD, SD2, SD2T, SDC, SDM, SDM1, SDT, SGT3, SGT9 SJ, SJD, SJS, SJT, SK, SKN, SKT, SMY, ST3E, ST4, SUT, W3C, WAU, WD, WJ
					1		3017923	HET
		A	16865-Z6J-810	1	-----	1523041	HAT/A

NOTE A:PART NO. CHANGE D:NEWLY PROVIDED E:PART NO. DELETION K:REQUIRED NO. CORRECTION L:APPLICATION SERIAL NO. CORRECTION
M:PART DESCRIPTION CORRECTION T:APPLICATION CORRECTION Z:REMARKS CHANGE

PARTS CATALOGUE NEWS

BOOKNo. :13Z3E602

Block No.	Ref. No.	Note	Part No.	Description	Reqd. QTY	Serial No.	Parts catalogue code
					GX 25 T		
	46		17701-Z6J-013	TUBE, FUEL.....	1	----- 1523040	HAT/A
					1	1158554 -----	HAT
	A		17701-Z6J-023	1	1523041 -----	HAT/A
	49		90601-Z6J-801	CLAMP, TUBE (D5. 5).....	2	----- 1523040	HAT/A
					2	1158554 -----	HAT
	A		90601-Z6J-003	CLAMP, TUBE.....	2	1523041 -----	HAT/A
E-27	1	L	19720-Z0H-010ZB	COVER COMP., TOP *R280*..... POWER RED	1	----- 4813747	S4/A, SJB, ST4/A, WJM
					1	3502721 -----	S4, ST4, W3C
					1	3502721 4814887	SBT, SJ, SJD, SJS, SJT, SKN, WJ
		L	19720-Z0H-010ZC	*T92*..... STIGA YELLOW	1	----- 4813747	SGT3/A
					1	3502721 -----	SGT3
		D	19720-Z0H-020ZB	*R280*..... POWER RED	1	4813748 -----	S4/A, SJB, ST4/A, WJM
					1	4814888 -----	SBT, SJ, SJD, SJS, SJT, SKN, WJ
		D	19720-Z0H-020ZC	*T92*..... STIGA YELLOW	1	4813748 -----	SGT3/A
			19720-Z0H-810ZA	*R280*..... POWER RED	1	----- -----	TEZ, TEZE, TEZL, TEZR
					1	----- 2010824	TEZL/A, TEZR/A
			19720-Z0H-810ZB	*T91*..... HUSQVARNA ORANGE	1	----- -----	TEZR
					1	----- 2010824	TEZR/A
		A	19720-Z0H-812ZA	*R280*..... POWER RED	1	2010825 -----	TEZL/A, TEZR/A
		A	19720-Z0H-812ZB	*T91*..... HUSQVARNA ORANGE	1	2010825 -----	TEZR/A
			19720-Z3E-900ZA	*R280*..... POWER RED	1	----- 4814847	SAU/A, SAUT/A, SUT/A, WAU/A, WAUM
					1	3502721 -----	SAU, SAUT, SUT, WAU, WD
					1	3502721 4814847	SD, SD2T, SDC, SDM1, SDT, SK, SKB
		A	19720-Z3E-901ZA	*R280*..... POWER RED	1	4814848 -----	SAU/A, SAUT/A, SD, SD2T, SDC, SDM1, SDT, SK, SKB, SUT/A, WAU/A, WAUM

NOTE A:PART NO. CHANGE D:NEWLY PROVIDED E:PART NO. DELETION K:REQUIRED NO. CORRECTION L:APPLICATION SERIAL NO. CORRECTION
M:PART DESCRIPTION CORRECTION T:APPLICATION CORRECTION Z:REMARKS CHANGE

PARTS CATALOGUE NEWS

BOOKNo. :13Z3E602

Block No.	Ref. No.	Note	Part No.	Description	Reqd. QTY		Serial No.	Parts catalogue code	
					GX 25 T				
E-28	13		87519-Z6J-000	MARK, OPERATOR CAUTION (PICTOGRAPH)	1	-----	-----	S4, SBT, SGT3, SGT3/A, SGT9, ST3E, ST4, SUT/A, TGT9	
					1	-----	2014080	TEZL/A, TEZR/A	
					1	-----	2356933	SDC	
					1	-----	2653928	W3C	
					1	-----	4693020	SATS, SKB	
					1	-----	4694031	S4/A, SATM/A, SAU/A, SAUT/A, SJB, ST4/A, TGT9/A, WAU/A, WAUM, WJM	
					1	-----	1073121	TESC, TEZ, TEZA, TEZE, TEZL, TEZR	
					1	-----	1610145	SATM, SAU, SAUT, SD2, SD2T, SDM, SKT, SMY, SUT, TD, WAU, WD	
					1	-----	1610145	4693020 SD, SDM1, SDT, SJ, SJD, SJS, SJT, SK, SKN, TJ, WJ	
					1	-----	2014081	TEZL/A, TEZR/A	
	1	-----	4693021	SATS, SD, SDM1, SDT, SJ, SJD, SJS, SJT, SK, SKB, SKN, TJ, WJ					
	1	-----	4694032	S4/A, SATM/A, SAU/A, SAUT/A, SJB, ST4/A, TGT9/A, WAU/A, WAUM, WJM					
	18			87521-Z3E-900	MARK, EMBLEM.....	1	-----	-----	SGT3/A, SUT/A
						1	-----	4694031	S4/A, SATM/A, SAU/A, SAUT/A, SJB, ST4/A, WAU/A, WAUM, WJM
						1	-----	3502721	S4, SATM, SAU, SAUT, SBT, SD2T, SGT3, ST4, SUT, W3C, WAU, WD
1						-----	3502721	4693020 SATS, SD, SDC, SDM1, SDT, SJ, SJD, SJS, SJT, SK, SKB, SKN, TJ, WJ	
1						-----	4693021	SATS, SD, SDC, SDM1, SDT, SJ, SJD, SJS, SJT, SK, SKB, SKN, TJ, WJ	
1	-----	4694032	S4/A, SATM/A, SAU/A, SAUT/A, SJB, ST4/A, WAU/A, WAUM, WJM						
E-40	3	K	90010-Z0Z-003	BOLT, SOCKET, 5X32.....	3	-----	4639577	SATS	
					6	-----	4639578	SATS	

NOTE A:PART NO. CHANGE D:NEWLY PROVIDED E:PART NO. DELETION K:REQUIRED NO. CORRECTION L:APPLICATION SERIAL NO. CORRECTION
M:PART DESCRIPTION CORRECTION T:APPLICATION CORRECTION Z:REMARKS CHANGE