

# Forward vibratory plates - gravel F92

## Spare Parts List





## TABLE OF CONTENT

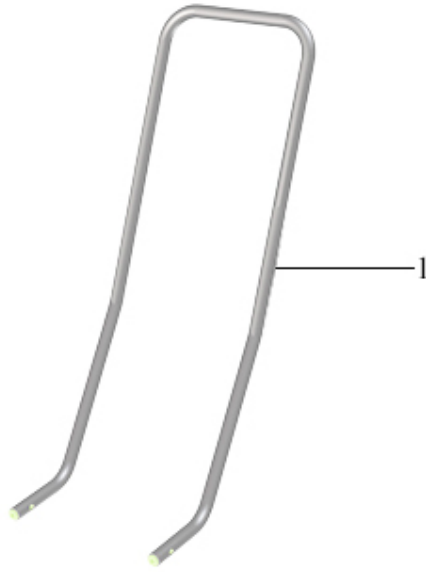
|   |    |
|---|----|
| 1. Handle .....                                 | 4  |
| 1.1. Non vibrated handle cpl .....              | 5  |
| 1.1. Devibrated handle cpl .....                | 6  |
| 1.1. Non vibrated handle parts .....            | 7  |
| 1.1. Devibrated handle parts .....              | 8  |
| 2. Transport wheel .....                        | 9  |
| 2.1. Transport wheel cpl .....                  | 10 |
| 2.1. Transport wheel parts .....                | 11 |
| 3. Other machine parts .....                    | 12 |
| 4. V-belt .....                                 | 13 |
| 5. Base plate 500mm .....                       | 14 |
| 6. Polyurethane plate cpl .....                 | 15 |
| 6.1. Polyurethane plate cpl .....               | 16 |
| 6.1. Polyurethane plate parts .....             | 17 |
| 7. Vibrations unit .....                        | 18 |
| 7.1. Vibrations unit oil lubricate .....        | 19 |
| 7.1. Vibrations unit, parts oil lubricate ..... | 20 |
| 8. Engine .....                                 | 21 |
| 8.1. Engine kpl .....                           | 22 |
| 8.1. Engine parts .....                         | 23 |
| 8.2. Centrifugal clutch parts .....             | 24 |
| 8.2. Centrifugal clutch .....                   |    |
| 8.3. Mounting parts .....                       | 26 |
| 9. Decals .....                                 | 27 |
| 10. Service kit .....                           | 28 |

## 1. HANDLE



| Pos | Label                     |
|-----|---------------------------|
| 1   | Non vibrated handle cpl   |
| 1   | Devibrated handle cpl     |
| 1   | Non vibrated handle parts |
| 1   | Devibrated handle parts   |

1.1. NON VIBRATED HANDLE CPL



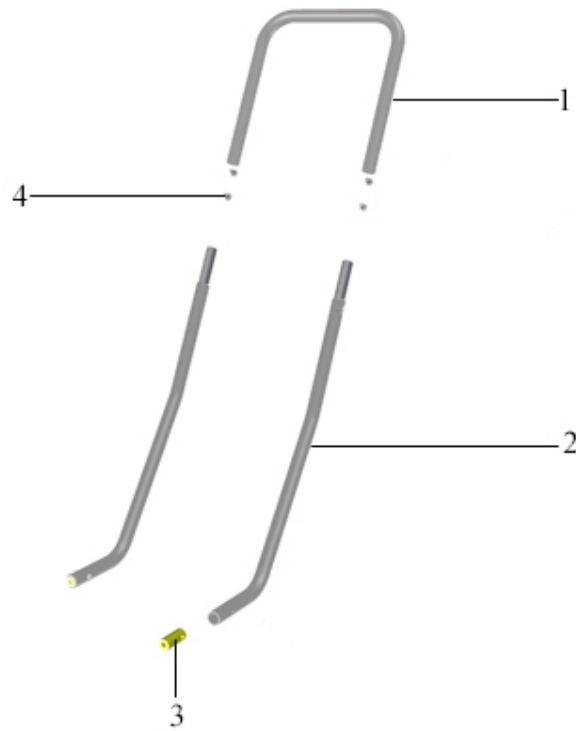
| Pos | Part.No   | Label          | No |
|-----|-----------|----------------|----|
| 1   | 305370-01 | HANDLE STD CPL | 1  |

## 1.1. DEVIBRATED HANDLE CPL



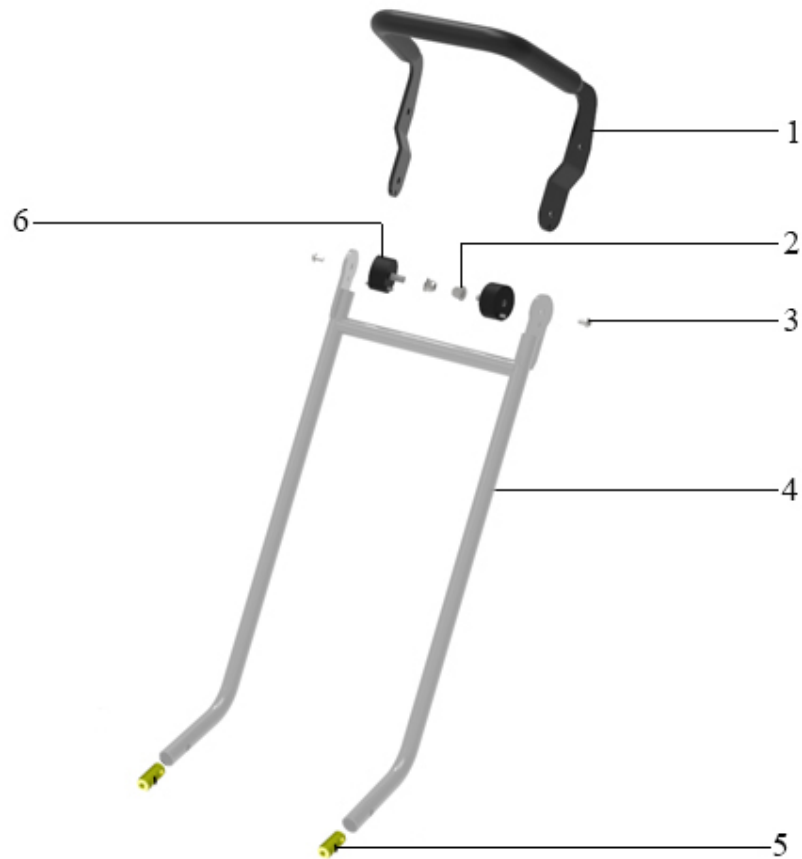
| Pos | Part.No   | Label                 | No |
|-----|-----------|-----------------------|----|
| 1   | 305639-01 | DEVIBRATED HANDLE CPL | 1  |

## 1.1. NON VIBRATED HANDLE PARTS



| Pos | Part.No   | Label                    | No |
|-----|-----------|--------------------------|----|
| 1   | 305648    | HANDLE UPPER STANDARD    | 1  |
| 2   | 305371-01 | HANDLE LOWER STANDARD    | 2  |
| 3   | 305015    | PLUG                     | 2  |
| 4   | 1001101   | BOLT / K6S 8x12 10.9 fzb | 4  |

## 1.1. DEVIBRATED HANDLE PARTS



| Pos | Part.No   | Label                   | No |
|-----|-----------|-------------------------|----|
| 1   | 305633    | HANDLE UPPER DEVIBRATED | 1  |
| 2   | 100220    | NUT / LOCKING M6MF M10  | 2  |
| 3   | 1001127   | BOLT / M6SF 10x14 FZB   | 2  |
| 4   | 305636-01 | HANDLE LOWER DEVIBRATED | 1  |
| 5   | 305015    | PLUG                    | 2  |
| 6   | 100753    | VIBRATION ISOLATOR      | 2  |



## 2. TRANSPORT WHEEL



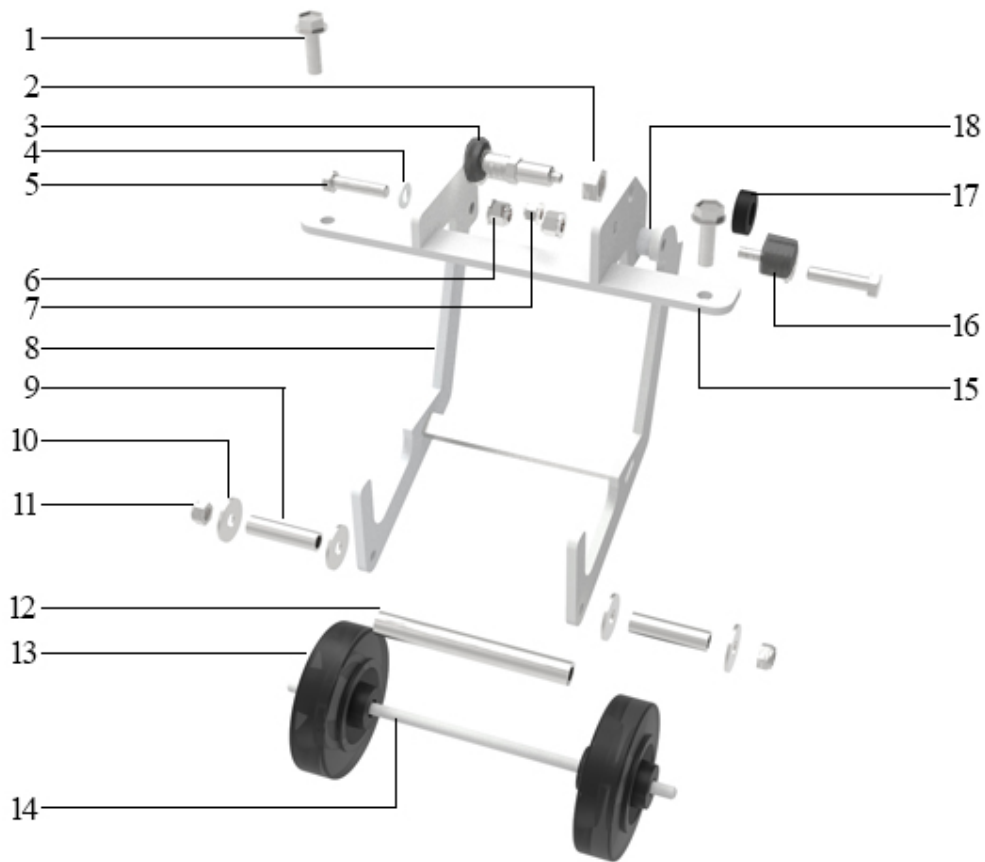
| Pos | Label                 |
|-----|-----------------------|
| 1   | Transport wheel cpl   |
| 1   | Transport wheel parts |

## 2.1. TRANSPORT WHEEL CPL



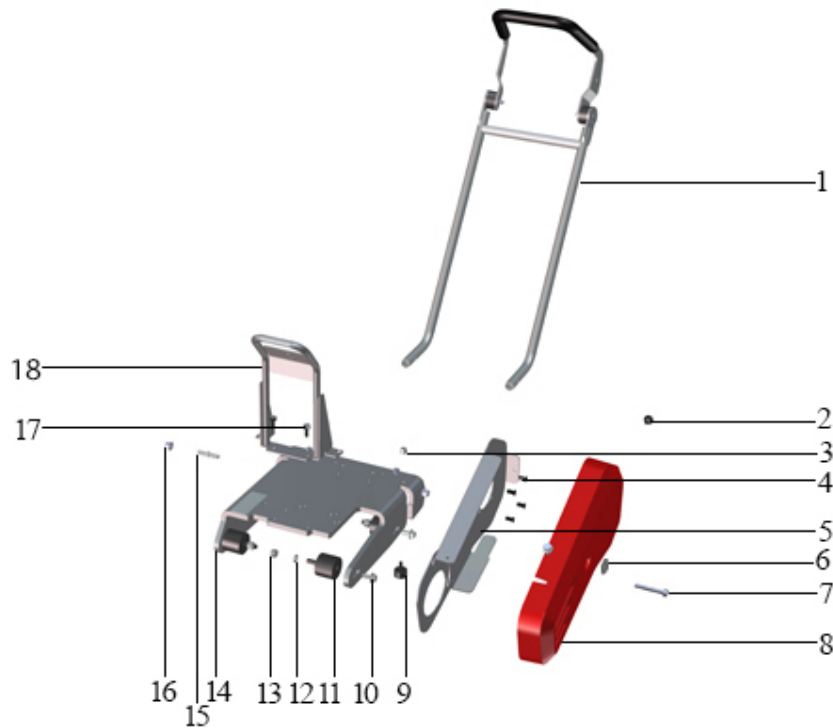
| Pos | Part.No | Label               | No |
|-----|---------|---------------------|----|
| 1   | 305705  | TRANSPORT WHEEL KIT | 1  |

## 2.1. TRANSPORT WHEEL PARTS



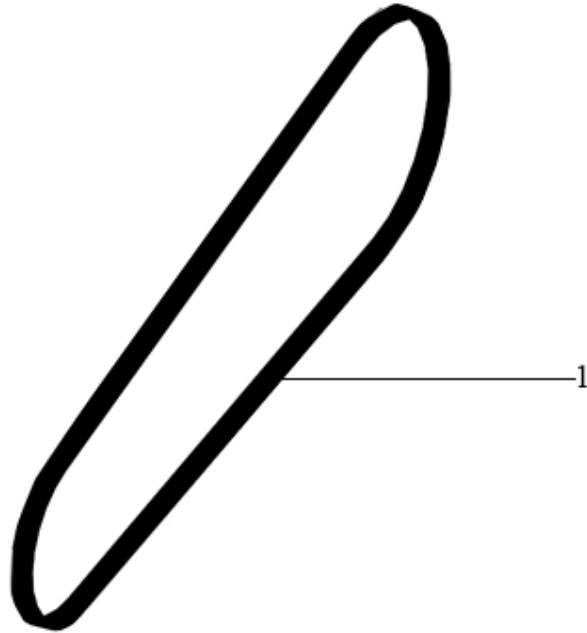
| Pos | Part.No | Label                          | No |
|-----|---------|--------------------------------|----|
| 1   | 1001169 | BOLT / M6SF 8X25 8.8 FZB       | 2  |
| 2   | 100228  | NUT / M12x1,5                  | 1  |
| 3   | 101127  | LOCK BOLT ASSY                 | 1  |
| 4   | 100301  | WASHER / BRB 8,4x16 HB200 fzb  | 2  |
| 5   | 100150  | BOLT / M6S 8x35 8.8 fzb        | 2  |
| 6   | 100221  | NUT / LOCKING M6MF M8          | 2  |
| 7   | 100222  | NUT / LOCKING M6MF M6          | 1  |
| 8   | 305706  | BRACKET                        | 1  |
| 9   | 101129  | SLEEVE WHEEL SHAFT             | 2  |
| 10  | 100309  | WASHER / SRKB 9x28x2 HB200 fzb | 4  |
| 11  | 100221  | NUT / LOCKING M6MF M8          | 2  |
| 12  | 305713  | SPACER                         | 1  |
| 13  | 101126  | WHEEL                          | 2  |
| 14  | 305712  | STUD SCREW                     | 1  |
| 15  | 305711  | BRACKET                        | 1  |
| 16  | 100747  | IMPACT DAMPER                  | 1  |
| 17  | 100354  | WASHER / BRB 13x24x4 FZB       | 2  |
| 18  | 101128  | SPACER                         | 2  |

## 3. OTHER MACHINE PARTS



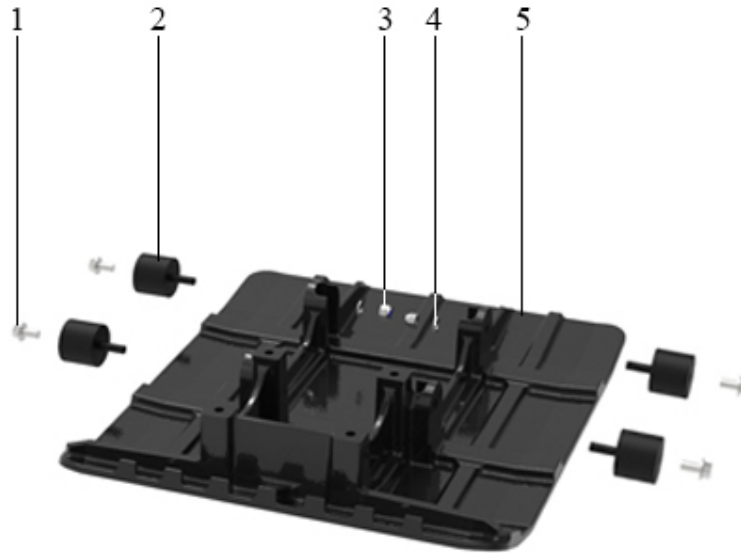
| Pos | Part.No   | Label                         | No |
|-----|-----------|-------------------------------|----|
| 1   | 305639-01 | DEVIBRATED HANDLE CPL         | 2  |
| 2   | 1001124   | SCREW / M6SF 8x12 8.8 FZB     | 2  |
| 3   | 1001107   | BOLT / M6SF 8x20 8.8 FZB      | 2  |
| 4   | 1001179   | SCREW / MELC6S 8x16           | 4  |
| 5   | 305630    | BELT GUARD-REAR               | 1  |
| 6   | 100356    | WASHER / HS 8,4x29x2          | 1  |
| 7   | 1001331   | SCREW / M6S 8X70 8.8 FZB      | 1  |
| 8   | 305620-01 | BELT GUARD                    | 1  |
| 9   | 100768    | VIBRATIONS ISOLATOR           | 2  |
| 10  | 1001139   | BOLT / M6SZ 10x20             | 4  |
| 11  | 100724    | VIBRATION ISOLATOR            | 4  |
| 12  | 100360    | WASHER / BRB 10X18 FZB HB 200 | 4  |
| 13  | 100251    | NUT / MHM LOCKING 10 DIN 6924 | 4  |
| 14  | 305616-01 | ENGINE CHASSIS                | 1  |
| 15  | 305316    | PEG                           | 2  |
| 16  | 100220    | NUT / LOCKING M6MF M10        | 2  |
| 17  | 1001107   | BOLT / M6SF 8x20 8.8 FZB      | 2  |
| 18  | 305656    | LIFTING EYE                   | 1  |

## 4. V-BELT



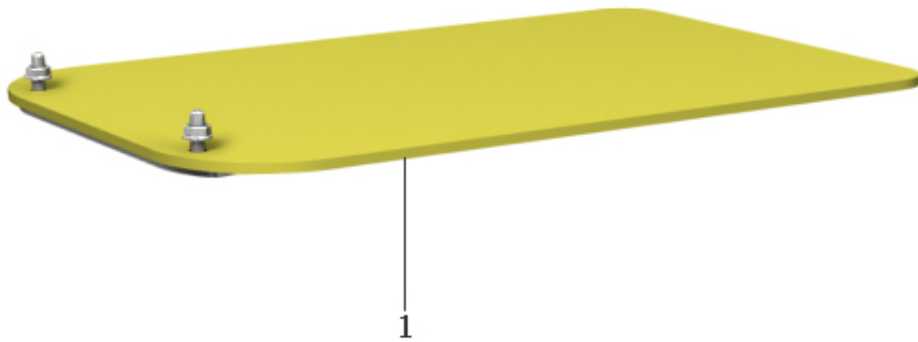
| Pos | Part.No | Label            | No |
|-----|---------|------------------|----|
| 1   | 100848  | V-BELT / XPA 907 | 1  |

## 5. BASE PLATE 500MM



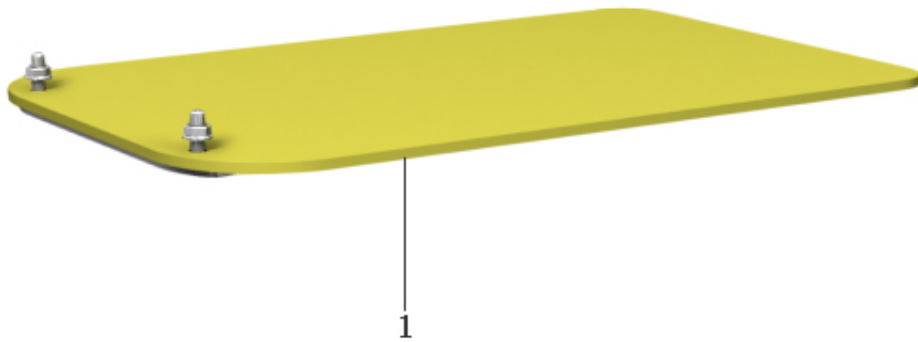
| Pos | Part.No | Label                         | No |
|-----|---------|-------------------------------|----|
| 1   | 1001139 | BOLT / M6SZ 10x20             | 4  |
| 2   | 100724  | VIBRATION ISOLATOR            | 4  |
| 3   | 100251  | NUT / MHM LOCKING 10 DIN 6924 | 4  |
| 4   | 100360  | WASHER / BRB 10X18 FZB HB 200 | 4  |
| 5   | 305381  | BASE PLATE 500                | 1  |

## 6. POLYURETHANE PLATE CPL



| Pos | Label                    |
|-----|--------------------------|
| 1   | Polyurethane plate cpl   |
| 1   | Polyurethane plate parts |

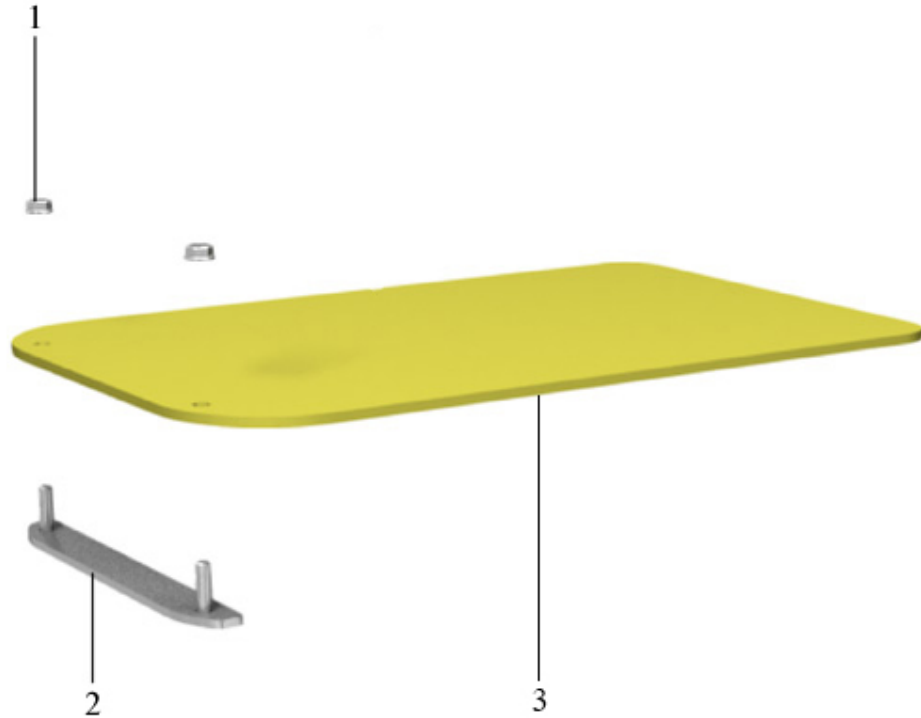
## 6.1. POLYURETHANE PLATE CPL



| Pos | Part.No | Label                  | No |
|-----|---------|------------------------|----|
| 1   | 305645  | POLYURETHANE PLATE CPL | 1  |

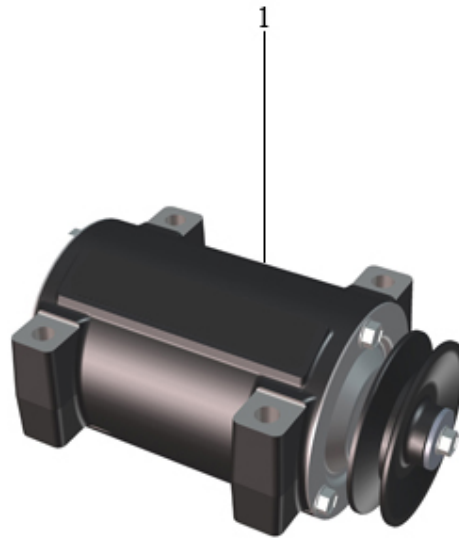


## 6.1. POLYURETHANE PLATE PARTS



| Pos | Part.No | Label                  | No |
|-----|---------|------------------------|----|
| 1   | 100220  | NUT / LOCKING M6MF M10 | 2  |
| 2   | 305137  | BRACKET                | 1  |
| 3   | 305646  | POLYURETHANE PLATE     | 1  |

## 7. VIBRATIONS UNIT



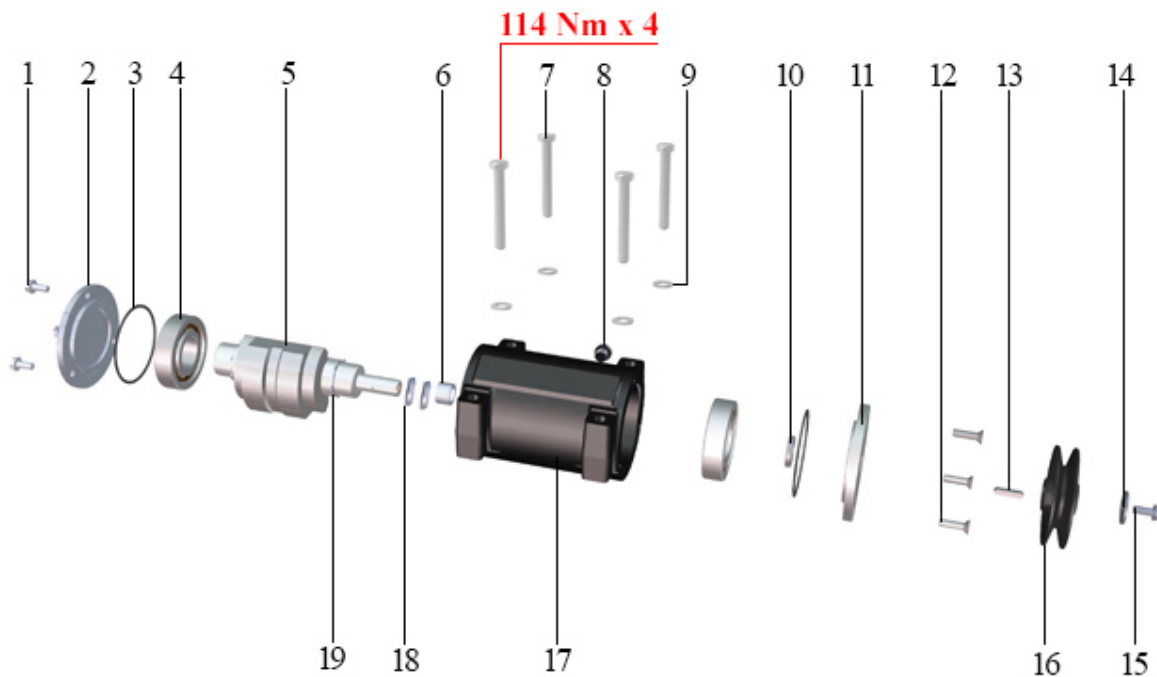
| Pos | Label                                |
|-----|--------------------------------------|
| 1   | Vibrations unit oil lubricate        |
| 1   | Vibrations unit, parts oil lubricate |

7.1. VIBRATIONS UNIT OIL LUBRICATE



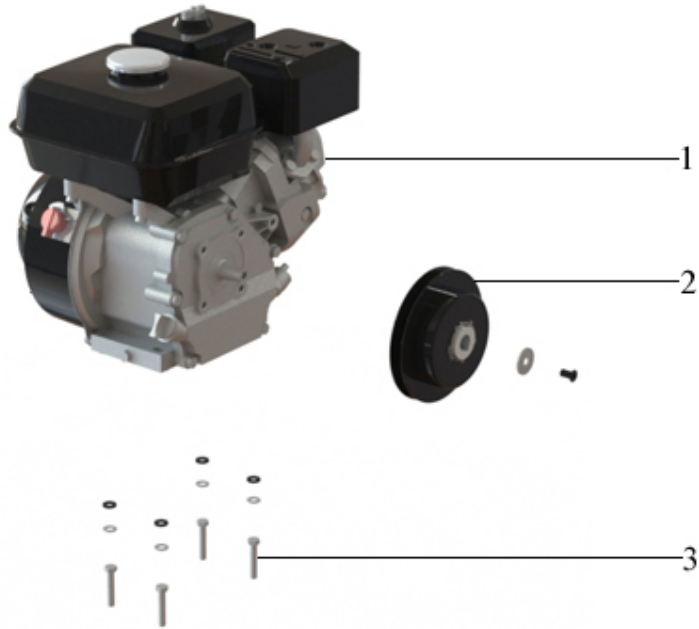
| Pos | Part.No   | Label              | No |
|-----|-----------|--------------------|----|
| 1   | 305632-01 | VIBRATOR UNIT CPL. | 1  |

## 7.1. VIBRATIONS UNIT, PARTS OIL LUBRICATE



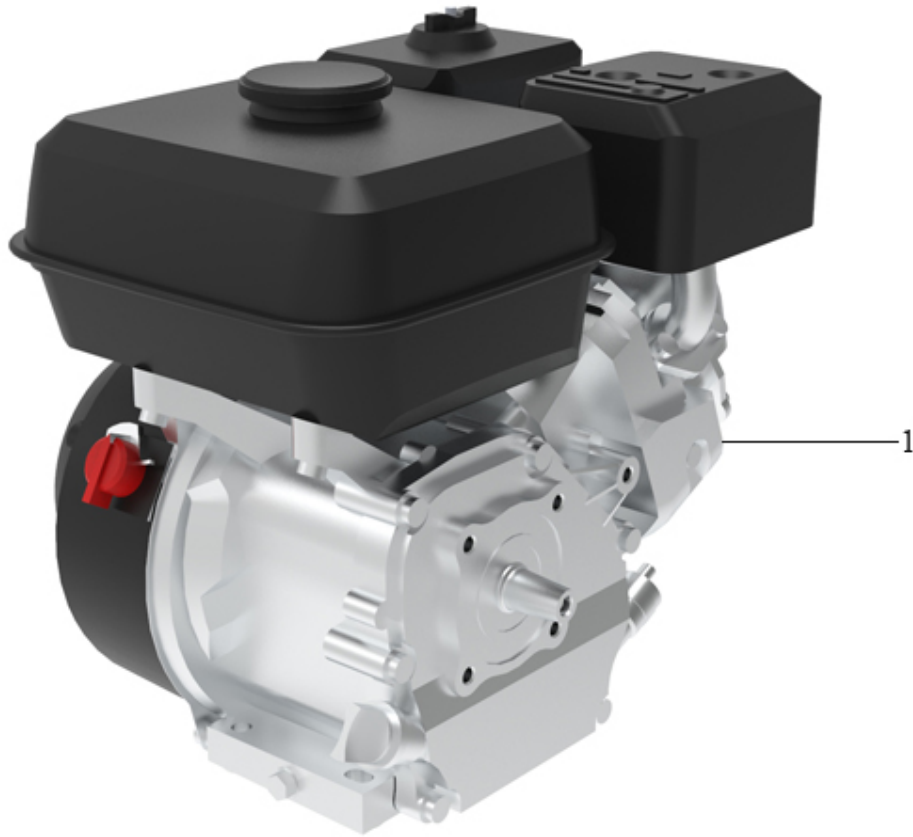
| Pos | Part.No | Label                              | No |
|-----|---------|------------------------------------|----|
| 1   | 1001107 | BOLT / M6SF 8x20 8.8 FZB           | 3  |
| 2   | 202016  | LOCK                               | 1  |
| 3   | 100600  | O-RING / 89,5x3 NBR 70             | 2  |
| 4   | 100505  | ROLLER BEARING / NJ 308E-C3        | 2  |
| 5   | 201015  | ECCENTRIC SHAFT                    | 1  |
| 6   | 100501  | INNER RING / LRT 20x25x17          | 1  |
| 7   | 100109  | BOLT / M6S 12x90 8.8 fzb           | 4  |
| 8   | 101000  | PLUG R3/8                          | 1  |
| 9   | 100303  | WASHER / BRB 13,0x24 HB200 fzb     | 4  |
| 10  | 100604  | RADIAL SEALING / 25x35x6 CCP VITON | 1  |
| 11  | 305682  | LOCK                               | 1  |
| 12  | 100158  | BOLT / MF6S 8x25 10.9 fzb          | 3  |
| 13  | 100400  | FLAT KEY / RK 6x6x30 H9            | 1  |
| 14  | 100306  | WASHER / SRKB 9x35x3 HB200 fzb     | 1  |
| 15  | 1001107 | BOLT / M6SF 8x20 8.8 FZB           | 1  |
| 16  | 202102  | V-BELT PULLEY                      | 1  |
| 17  | 202019  | HOUSING                            | 1  |
| 18  | 100327  | WASHER / BRB 20x36 HB200 fzb       | 2  |
| 19  | 100431  | CIRCLIP / A40x1,75K                | 2  |

8. ENGINE



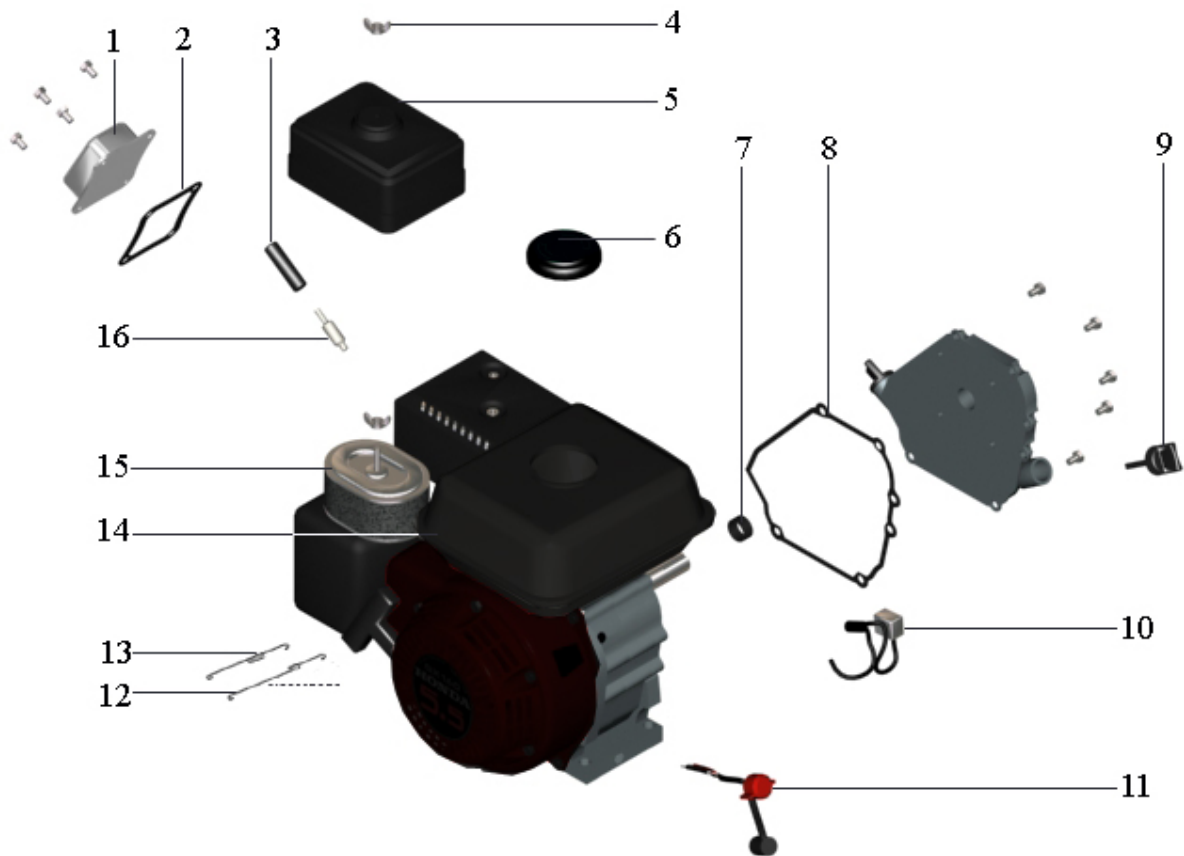
| Pos | Label                    |
|-----|--------------------------|
| 1   | Engine kpl               |
| 1   | Engine parts             |
| 2   | Centrifugal clutch parts |
| 2   | Centrifugal clutch       |
| 3   | Mounting parts           |

## 8.1. ENGINE KPL



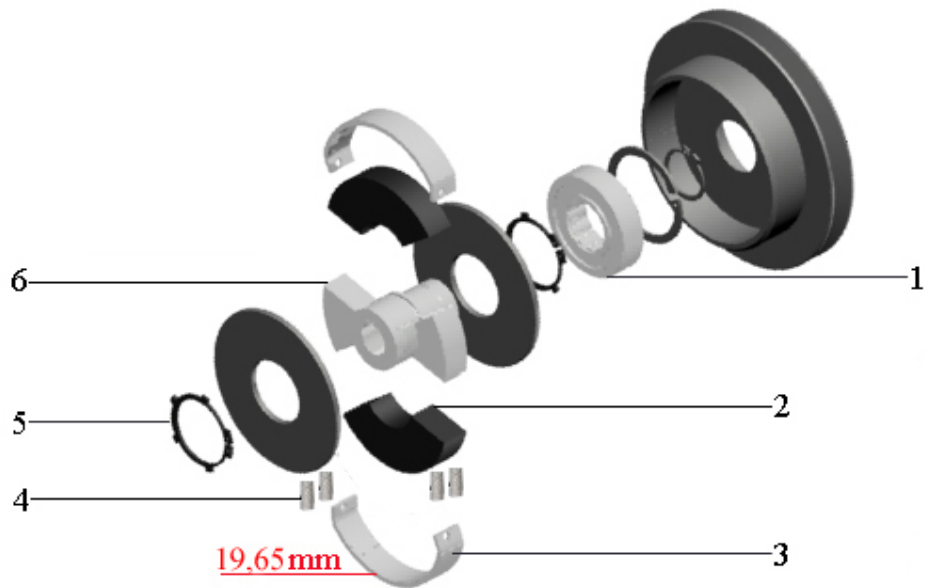
| Pos | Part.No | Label                 | No |
|-----|---------|-----------------------|----|
| 1   | 1018106 | HONDA ENGINE GX 160H2 | 1  |

## 8.1. ENGINE PARTS



| Pos | Part.No | Label                  | No |
|-----|---------|------------------------|----|
| 1   | 101857  | BONNET ASSY, HEAD      | 1  |
| 2   | 101281  | GASKET, BONNET         | 1  |
| 3   | 101277  | BOOT-SPARK PLUG        | 1  |
| 4   | 101299  | WING NUT, AIR FILTER   | 2  |
| 5   | 101751  | COVER-AIR CLEANER      | 1  |
| 6   | 101275  | CAP-FUEL TANK          | 1  |
| 7   | 101291  | RADIAL SEAL            | 1  |
| 8   | 101273  | SEAL, CRANKCASE        | 1  |
| 9   | 101280  | DIP STICK              | 1  |
| 10  | 101760  | CONTROL, OIL ALERT     | 1  |
| 11  | 101276  | CIRCUIT BREAKER        | 1  |
| 12  | 101836  | SPRING THROTTLE RETURN | 1  |
| 13  | 101838  | SPRING REGULATOR       | 1  |
| 14  | 102071  | FUEL TANK BLACK        | 1  |
| 15  | 101210  | AIR FILTER 70mm HIGH   | 1  |
| 16  | 101278  | SPARK-PLUG             | 1  |

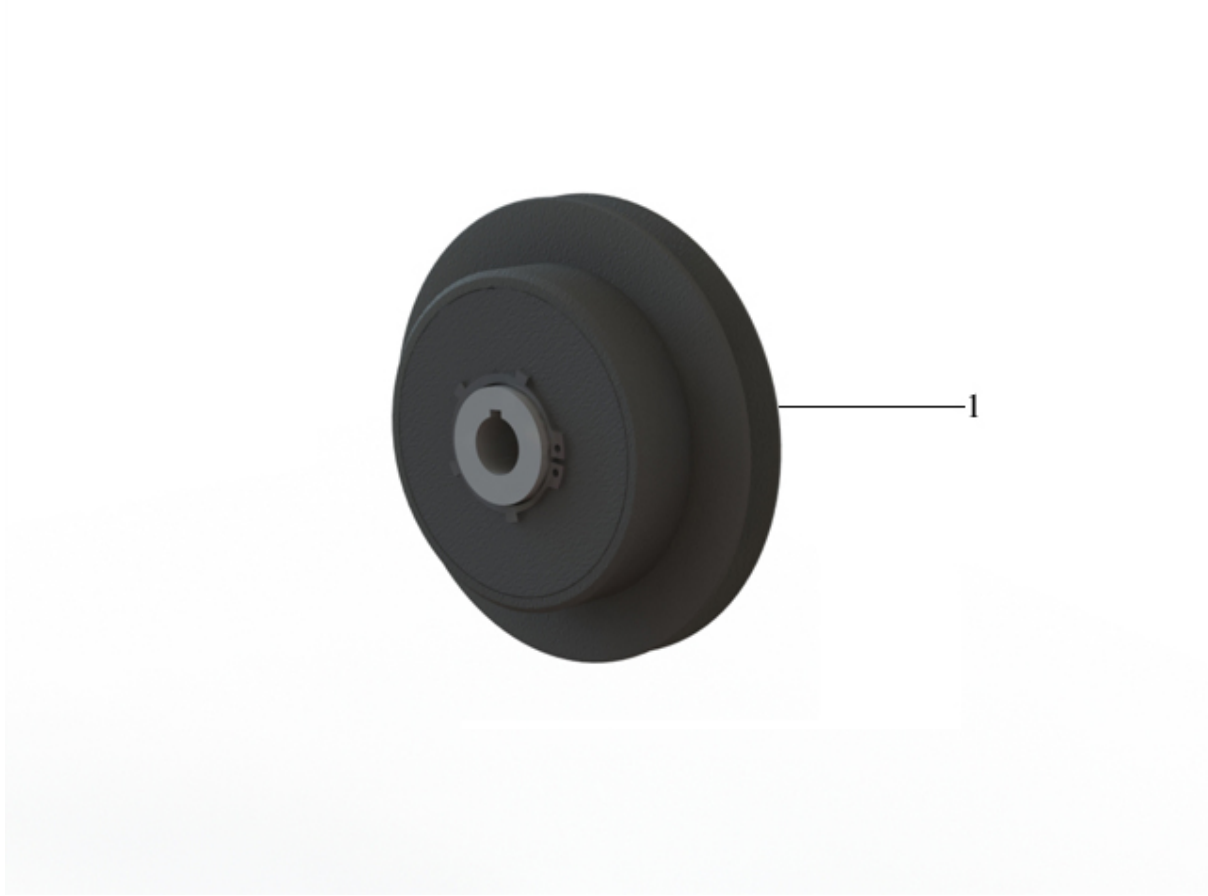
8.2. CENTRIFUGAL CLUTCH PARTS



| Pos | Part.No | Label                 | No |
|-----|---------|-----------------------|----|
| 1   | 100930  | BALL BEARING 6006 2RS | 1  |
| 2   | 100864  | WEIGHT                | 2  |
| 3   | 100811  | CLUTCH LINING         | 2  |
| 4   | 100898  | SPRING                | 4  |
| 5   | 100471  | CIRCLIP / AK38        | 1  |
| 6   | 1008032 | HUB                   | 1  |

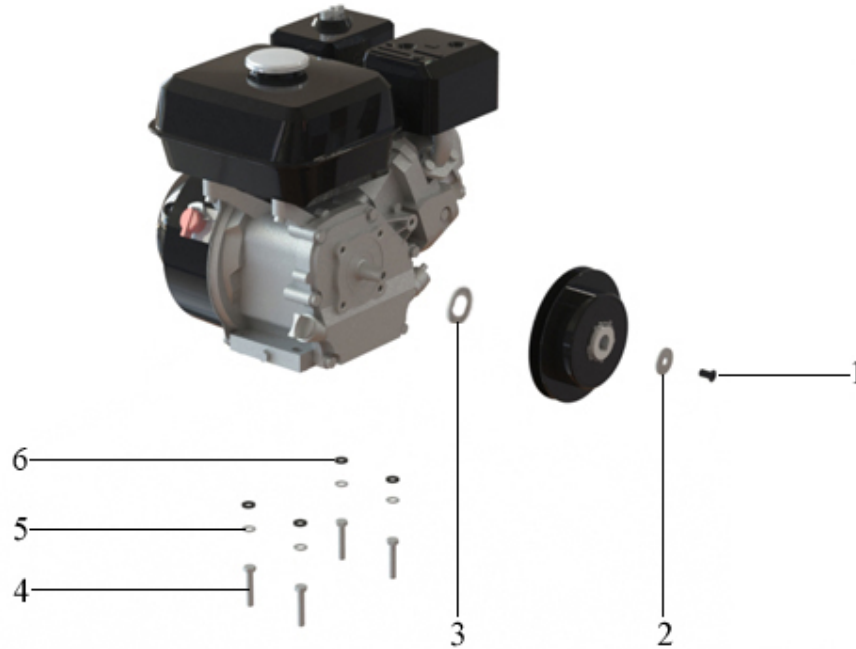


## 8.2. CENTRIFUGAL CLUTCH



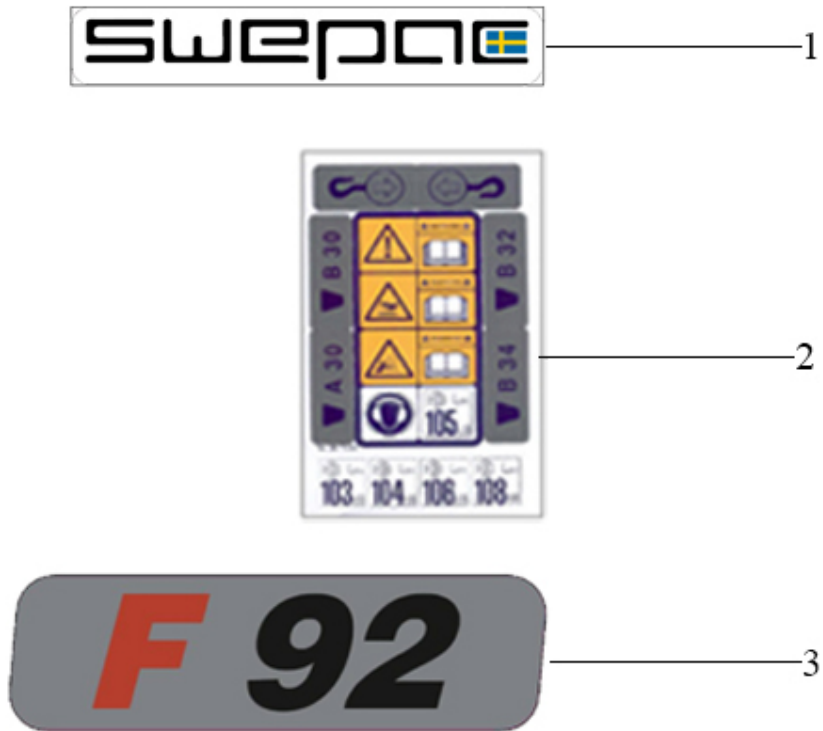
| Pos | Part.No | Label  | No |
|-----|---------|--------|----|
| 1   | 100896  | CLUTCH | 1  |

8.3. MOUNTING PARTS



| Pos | Part.No | Label                         | No |
|-----|---------|-------------------------------|----|
| 1   | 1001178 | BOLT/ MELC6S 8x25 10.9        | 1  |
| 2   | 100356  | WASHER / HS 8,4x29x2          | 1  |
| 3   | 202266  | WASHER                        | 1  |
| 4   | 100150  | BOLT / M6S 8x35 8.8 fzb       | 4  |
| 5   | 100301  | WASHER / BRB 8,4x16 HB200 fzb | 4  |
| 6   | 100326  | WASHER / HS 8                 | 4  |

9. DECALS



| Pos | Part.No | Label        | No |
|-----|---------|--------------|----|
| 1   | 204071  | DECAL SWEPAC | 1  |
| 2   | 207065  | DECAL        | 1  |
| 3   | 305688  | F92 DECAL    | 2  |

**10. SERVICE KIT**



| Pos | Part.No | Label                                   | No |
|-----|---------|---|----|
| 1   | 102113  | SERVICE KIT SWEPAC F 80, F82, F92 HONDA | 1  |
|     | -       | Including parts:                        |    |
| 0   | 100848  | V-BELT / XPA 907                        | 1  |
| 0   | 101210  | AIR FILTER 70mm HIGH                    | 1  |
| 0   | 101278  | SPARK-PLUG                              | 1  |
|     | -       |   |    |

