

Reversible vibratory plates

FB510

Spare Parts List



TABLE OF CONTENT

1. Decals 5

2. Engine 6

 2.1. Cyclone filter, parts 7

 2.2. Engine, parts 8

 2.2. Engine cpl. 9

 2.3. Mounting parts 10

 2.4. Oil drain hose, parts 11

3. Chassi 12

 3.1. B Battery lock without compaction indicator 13

 3.1. A Battery lock for compactions indicator 14

 3.2. B Handle joints, parts 15

 3.2. A Handle joints, parts 16

 3.3. Battery box, parts 17

 3.4. Chassi, parts 18

 3.5. Throttle, parts 20

4. Vibration unit 21

 4.1. Housing, part 22

 4.2. B Shaft with cog wheel, parts 23

 4.2. A Shaft with cog wheel, cpl 25

 4.3. Coupling shaft 27

5. Base plate 28

6. Electric system 29

 6.1. Electric components in the handle 30

 6.2. Start panel 31

 6.3. Battery, parts 32

 6.4. Connectors 33

 6.5. Buzzer 34

 6.6. Cooler harness 35

 6.7. Harness temperature guard 36

7. A Protective frame 37

7. B Protective frame 38

8. Handle 39

 8.1. Handle, parts 40

 8.2. Handle attachment, parts 41

 8.3. Hook, parts 42

9. Hydraulic, handle 43

10. Hydraulic system 44

 10.1. Hydraulic oil filter 45

 10.1.1. Hydraulic oil filter, parts 46

 10.1.1. Hydraulic oil filter cpl. 47

 10.2. Hydraulic oil tank 48

 10.3. Hydraulic mounting parts 49

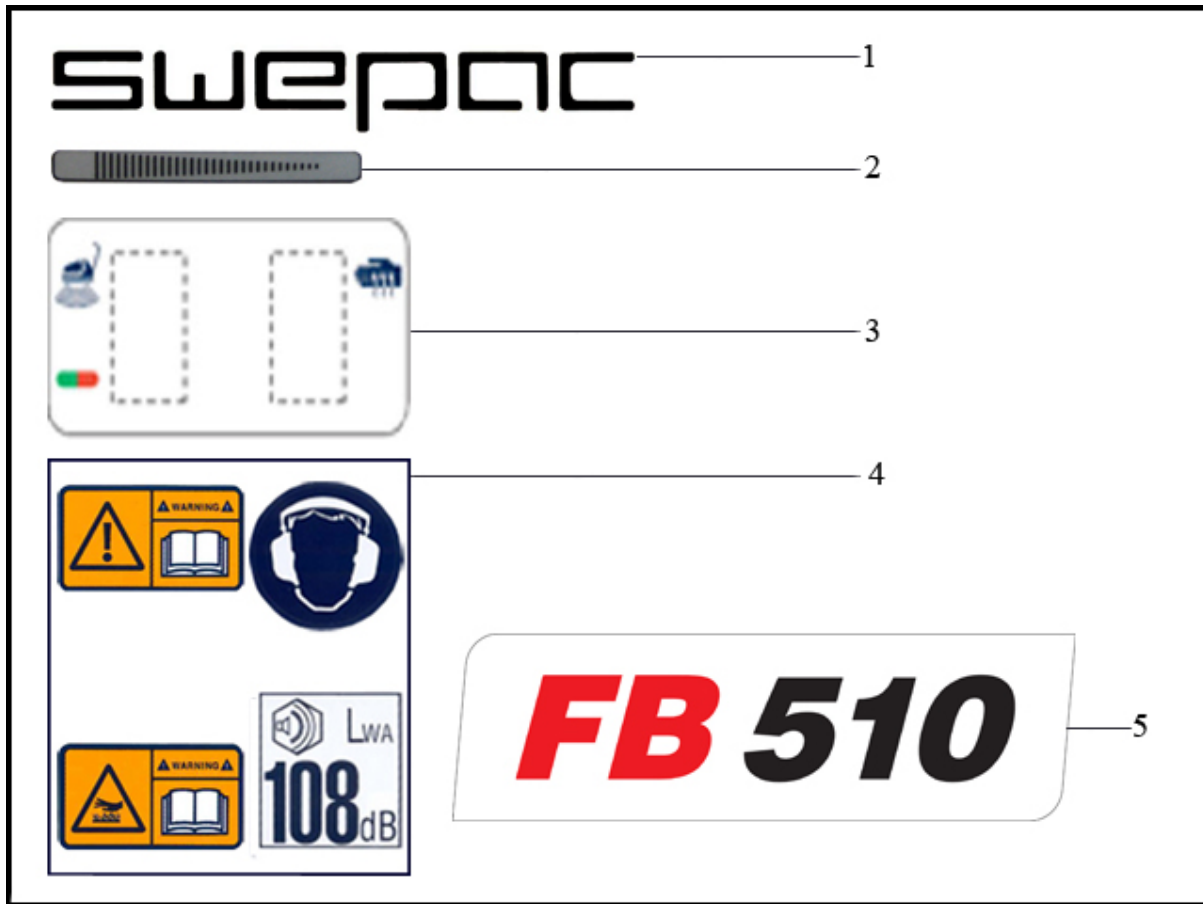
 10.4. Hydraulic, hoses 50

 10.5. Hydraulic pump, parts 51

 10.6. Hydraulic motor, parts 52

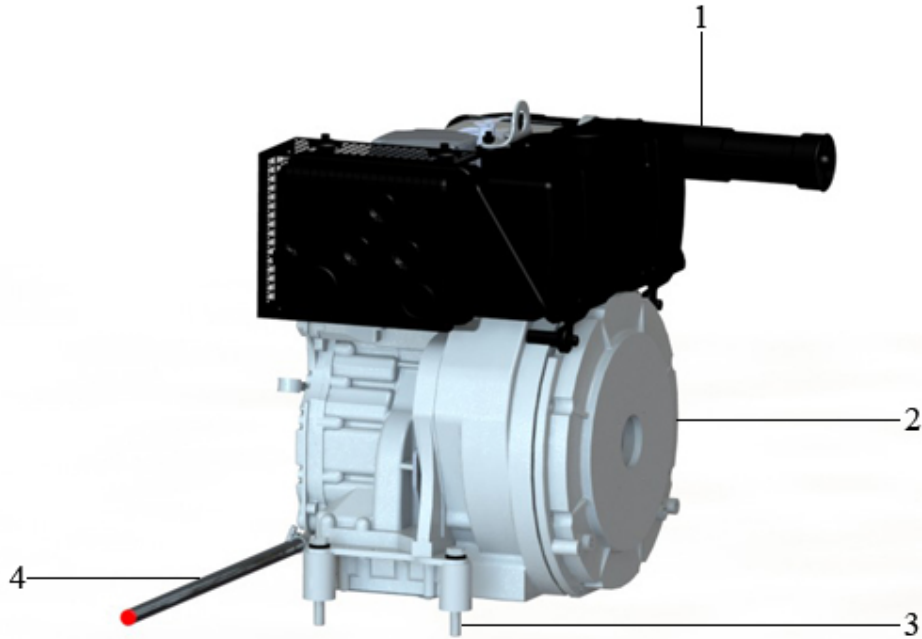
10.7. Hydraulic block, parts serie nr t.o.m 7004973	54
10.7. Hydraulic block, parts serie nr fr.o.m 7004974	55
10.8. Cylinder, parts	56
10.9. Distributor block	57
10.10. Hydraulic pump, parts	58
10.11. Hydraulic mounting parts	59
10.12. Hydraulic cooler	60
10.12.1. Hydraulic cooler, parts	61
10.12.1. Hydraulic cooler cpl.	62
10.13. Hydraulic mounting parts	63
11. Service kit	64

1. DECALS



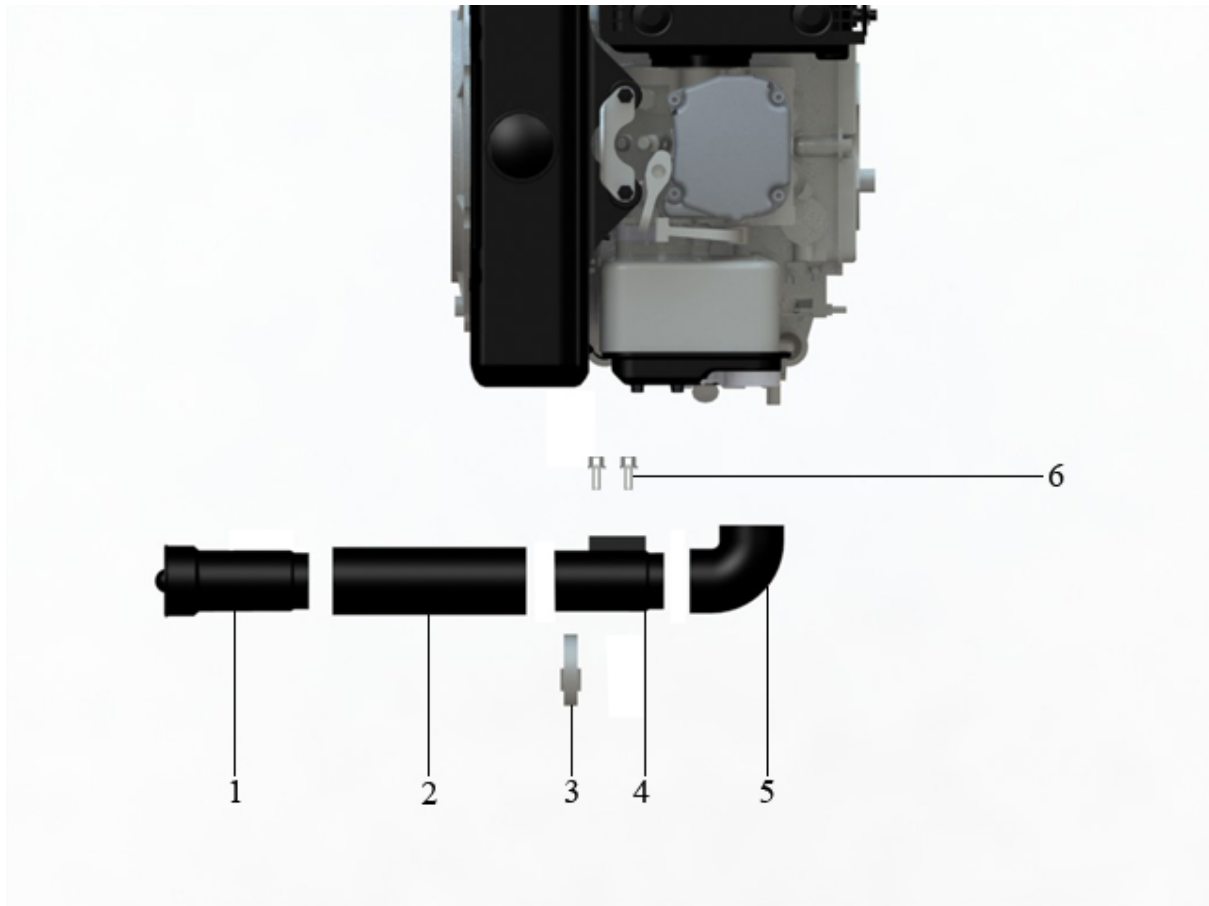
Pos	Part.No	Label	No
1	601407	DECAL SWEPAC	2
2	307092	DECAL ENGINE SPEED CONTROL	1
3	301164	DECAL HANDLE	1
4	307091	DECAL	1
5	307658	DEKAL FB510	2

2. ENGINE



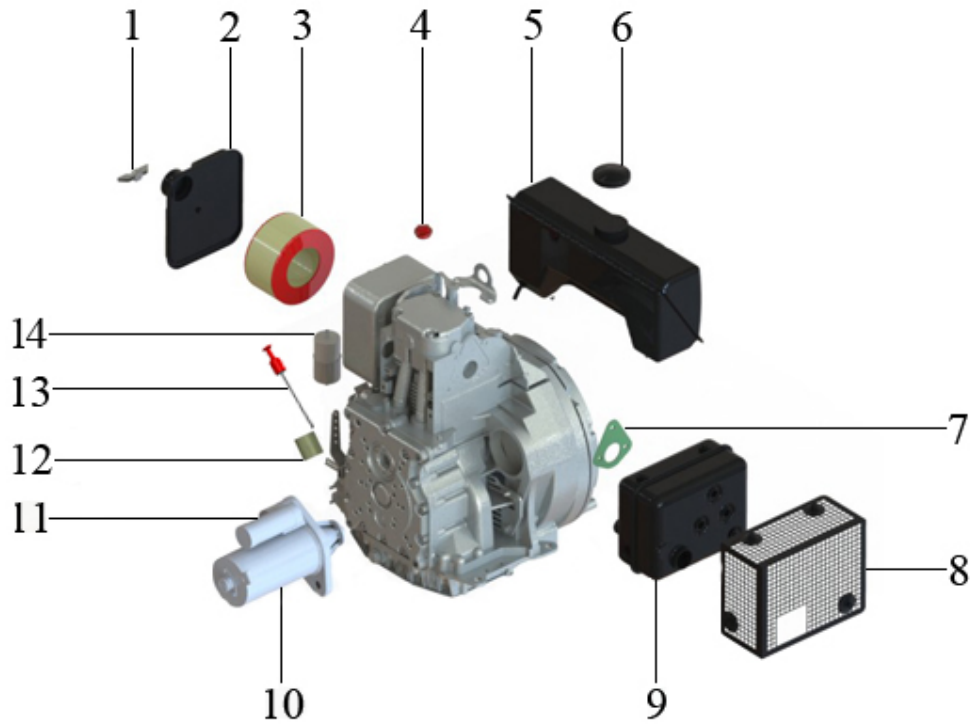
Pos	Label
1	Cyclone filter, parts
2	Engine, parts
2	Engine cpl.
3	Mounting parts
4	Oil drain hose, parts

2.1. CYCLONE FILTER, PARTS



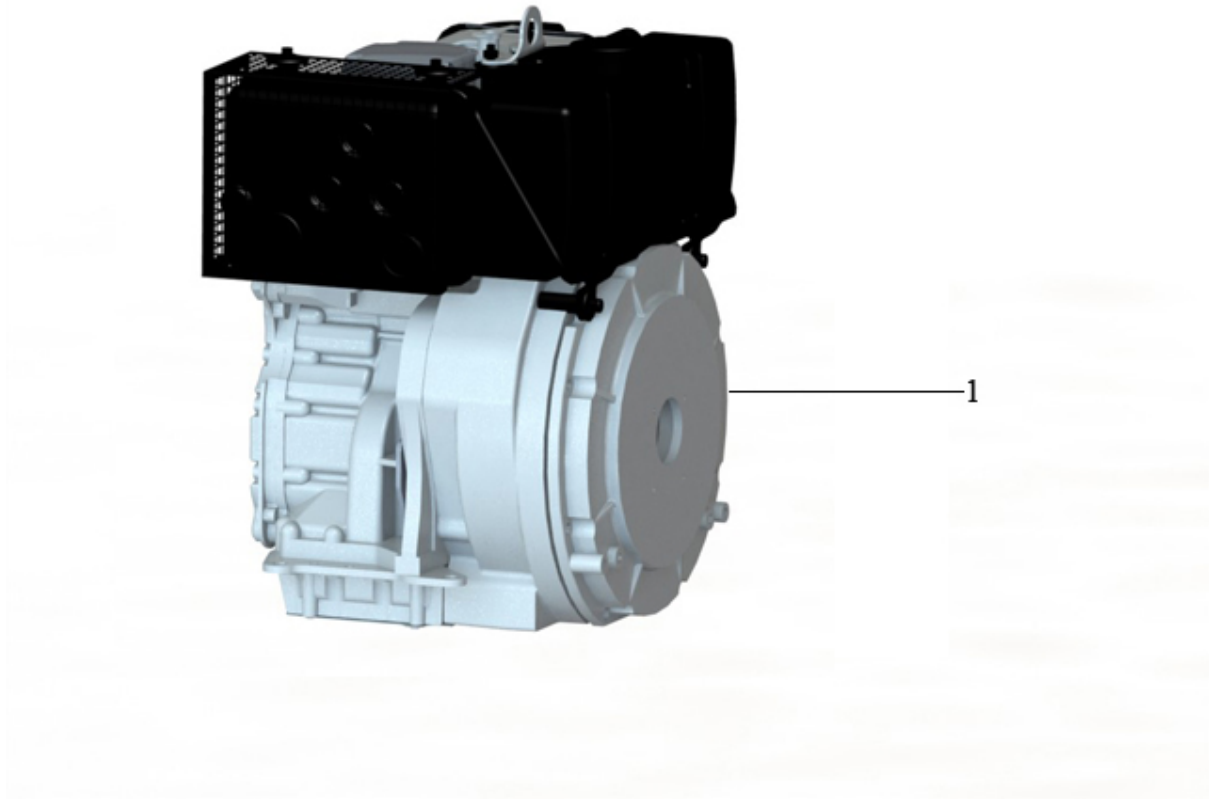
Pos	Part.No	Label	No
1	101752	CYKLON HATZ	1
2	307514	AIR HOSE	1
3	100438	HOSE CLIP / 40-60 mm	1
4	307510	AIR PIPE	1
5	102032	RUBBER HOSE	1
6	1001111	BOLT / M6SF 6x12 8.8 fzb	2

2.2. ENGINE, PARTS



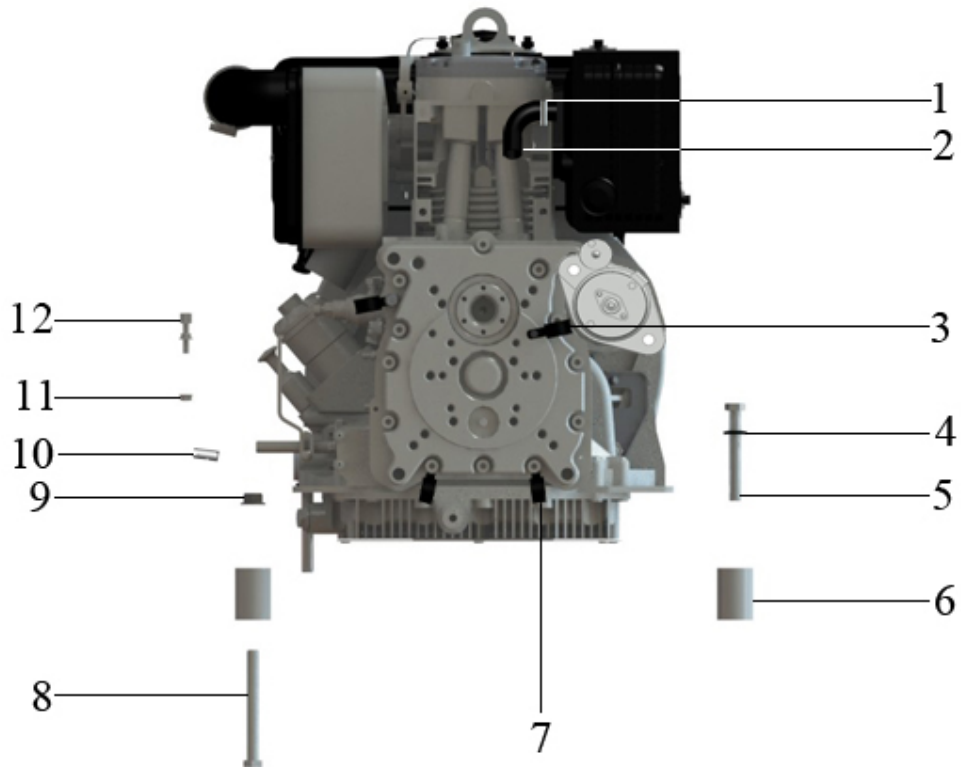
Pos	Part.No	Label	No
1	102033	WING NUT, AIR FILTER	1
2	102034	AIR FILTER LOCK	1
3	102035	AIR FILTER	1
4	102036	OIL PLUG	1
5	102037	TANK-FUEL	1
6	101768	CAP-FUEL TANK	1
7	102038	GASKET	1
8	102039	COVER	1
9	102040	MUFFLER	1
10	102042	STARTER	1
11	101981	CHARGE REGULATOR	1
12	102043	OIL FILTER	1
13	1001394	DIP STICK	1
14	101758	FUEL FILTER	1

2.2. ENGINE CPL.



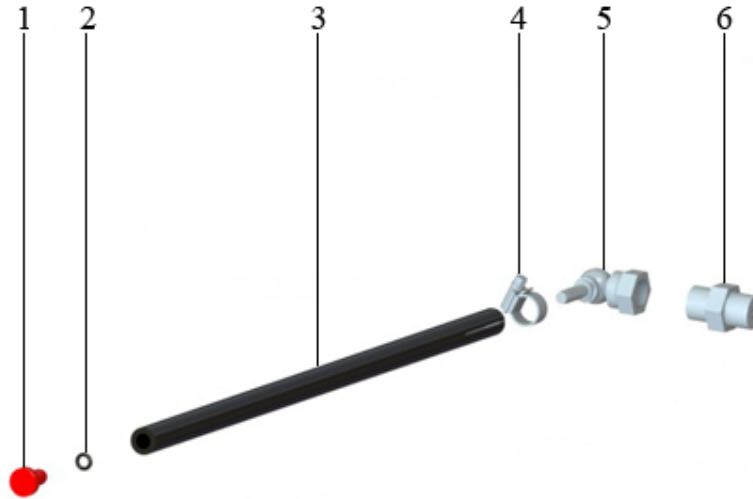
Pos	Part.No	Label	No
1	1018104	HATZ ENGINE 1D50	1

2.3. MOUNTING PARTS



Pos	Part.No	Label	No
1	102041	CLIP	1
2	307074	EXTHAUS PIPE	1
3	100439	RUBBER-COVERED CLIP / 22 mm	2
4	100310	WASHER / HS12	3
5	100109	BOLT / M6S 12x90 8.8 fzb	3
6	102031	SPACER SLEEVE	1
7	100437	RUBBER-COVERED CLIP / 10 mm-M8	2
8	1001155	BOLT / M6S 12x110 8.8 fzb	1
9	101105	NIPPEL	1
10	100226	NUT / LOCKING M6MF M12	1
11	100223	NUT / M6MF M6	1
12	101121	ADJUSTING BOLT	1

2.4. OIL DRAIN HOSE, PARTS



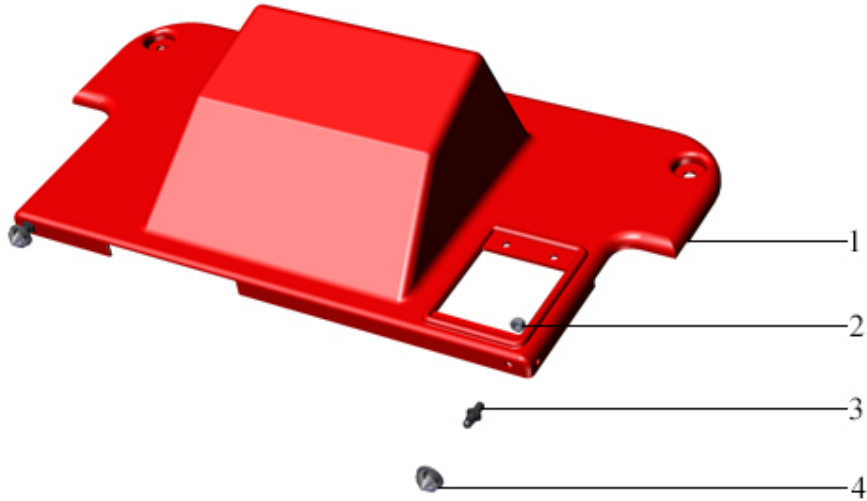
Pos	Part.No	Label	No
1	202066	PLUG	1
2	100609	O-RING / 6,3x2,4 NBR 70	1
3	101310	BLEEDER PIPE	1
4	100414	HOSE CLIP	1
5	101059	PIPE CONNECTOR / 1/2 90T-3/8	1
6	101057	COUPLING / R1/2UF-M22UF	1

3. CHASSI



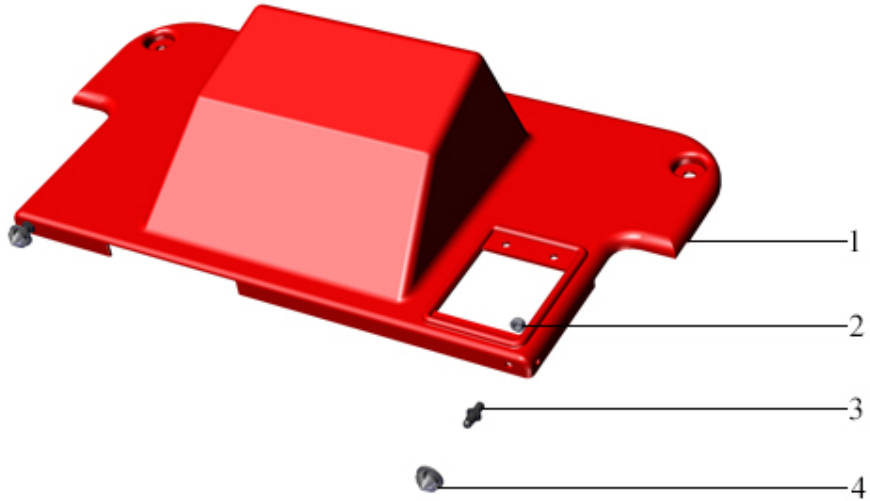
Pos	Label
1	B Battery lock without compaction indicator
1	A Battery lock for compactions indicator
2	B Handle joints, parts
2	A Handle joints, parts
3	Battery box, parts
4	Chassi, parts
5	Throttle, parts

3.1. B BATTERY LOCK WITHOUT COMPACTION INDICATOR



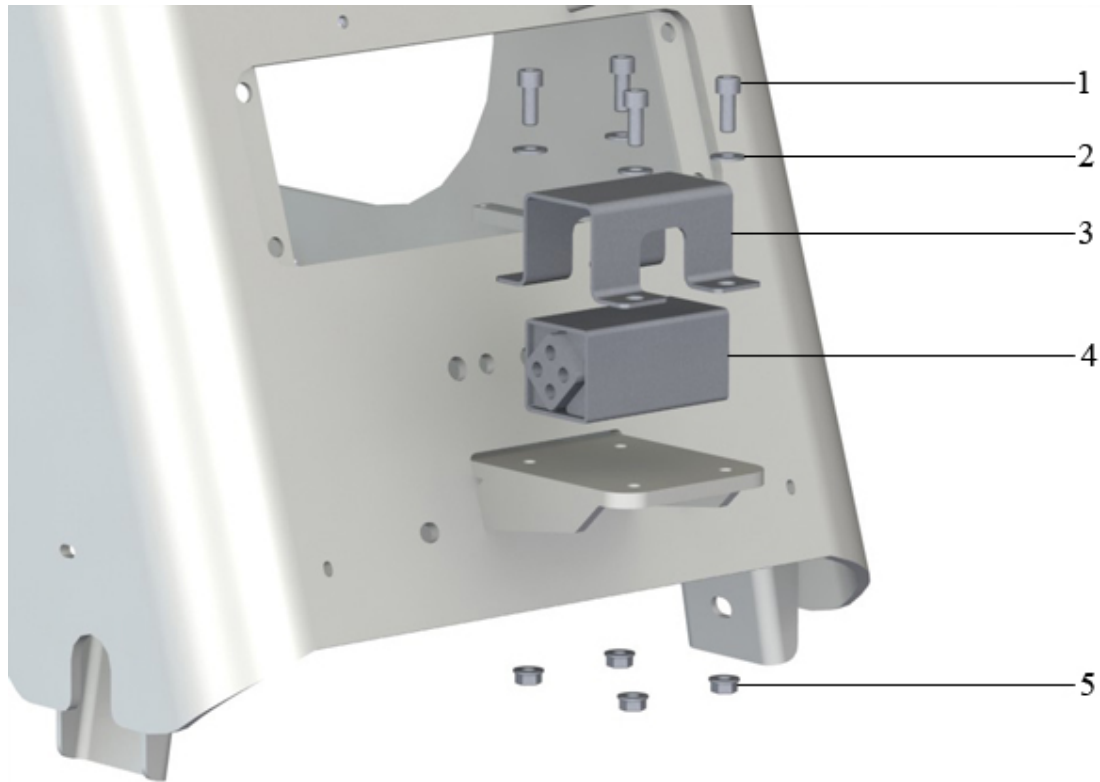
Pos	Part.No	Label	No
1	307114	BATTERY COVER	1
2	100207	NUT / LOCKING6 BH8 låg fzb	2
3	100455	SNAP LOCK 7 BALL	2
4	100454	SNAP CAP	2

3.1. A BATTERY LOCK FOR COMPACTIONS INDICATOR



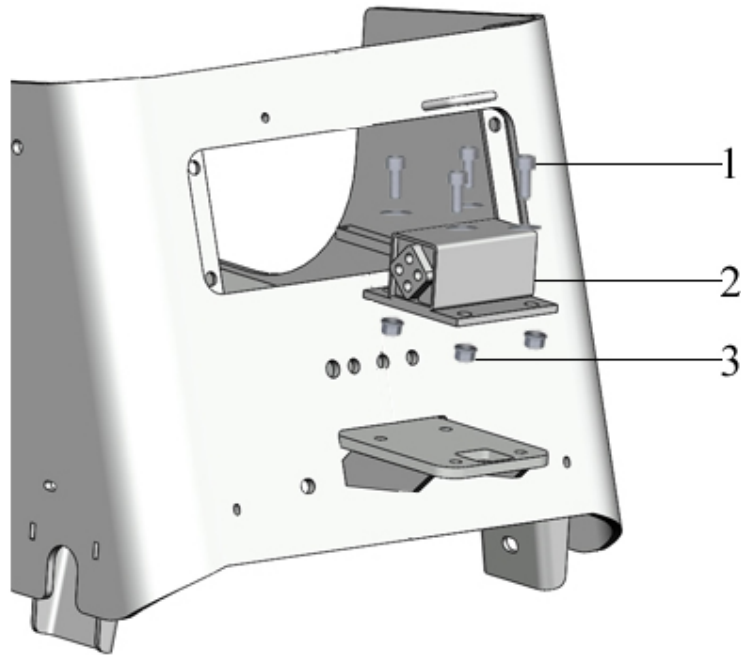
Pos	Part.No	Label	No
1	307824	BATTERY LOCK FOR COMPACTION INDICATOR	1
2	100207	NUT / LOCKING6 BH8 låg fzb	2
3	100455	SNAP LOCK 7 BALL	2
4	100454	SNAP CAP	2

3.2. B HANDLE JOINTS, PARTS



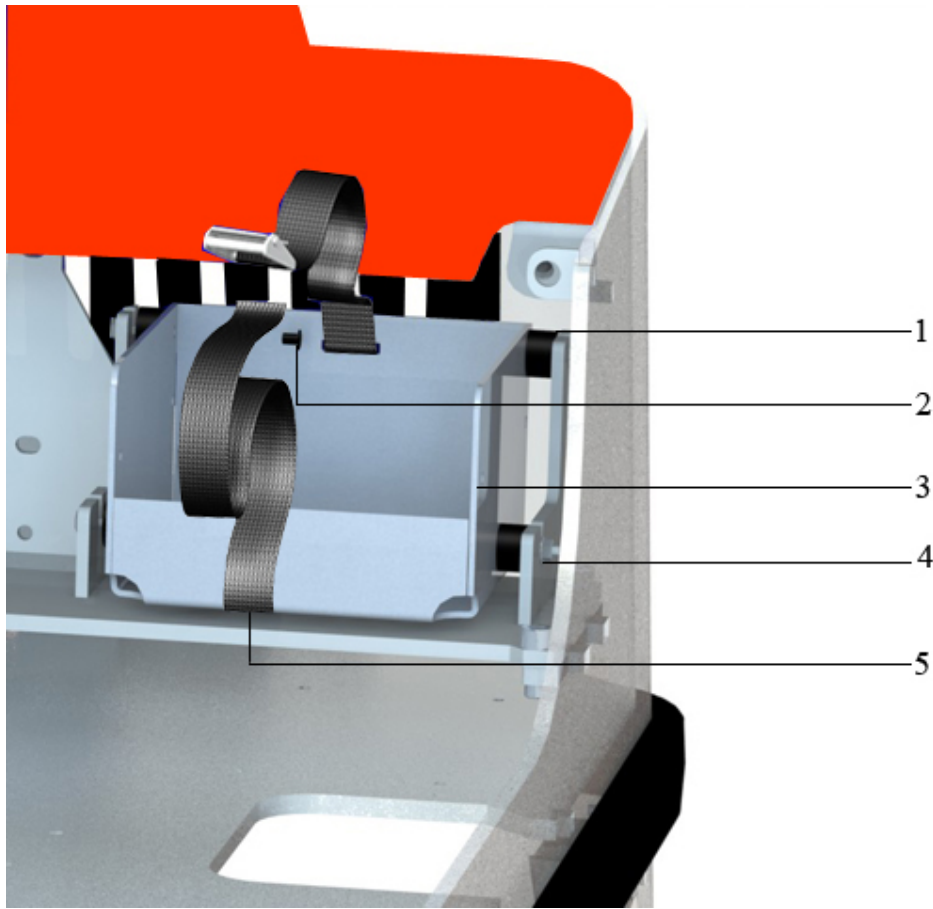
Pos	Part.No	Label	No
1	100127	BOLT / MC6S 10x25 8.8 fzb	4
2	100302	WASHER / BRB 10,5x22 HB200 fzb	4
3	203198	MOUNTING CLAMP	1
4	100710	SUSPENSION UNIT	1
5	100225	NUT / M6MF M10	4

3.2. A HANDLE JOINTS, PARTS



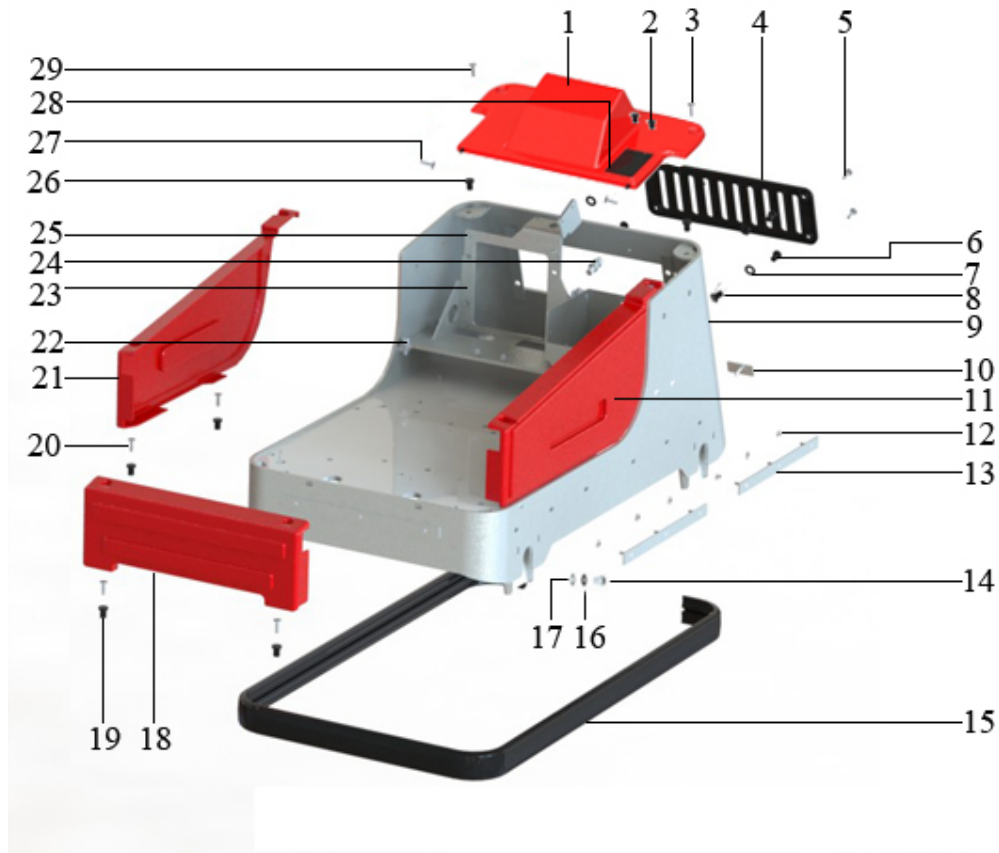
Pos	Part.No	Label	No
1	1001254	NUT / M6SF 10x30 8,8 fzb	4
2	100710	SUSPENSION UNIT	1
3	100220	NUT / LOCKING M6MF M10	4

3.3. BATTERY BOX, PARTS



Pos	Part.No	Label	No
1	100725	VIBRATION ISOLATOR	4
2	1001115	BOLT / MELC6S M6x8 10.9 FZB	4
3	303067	BATTERY BOX	1
4	100223	NUT / M6MF M6	4
5	203194	STRAP	1

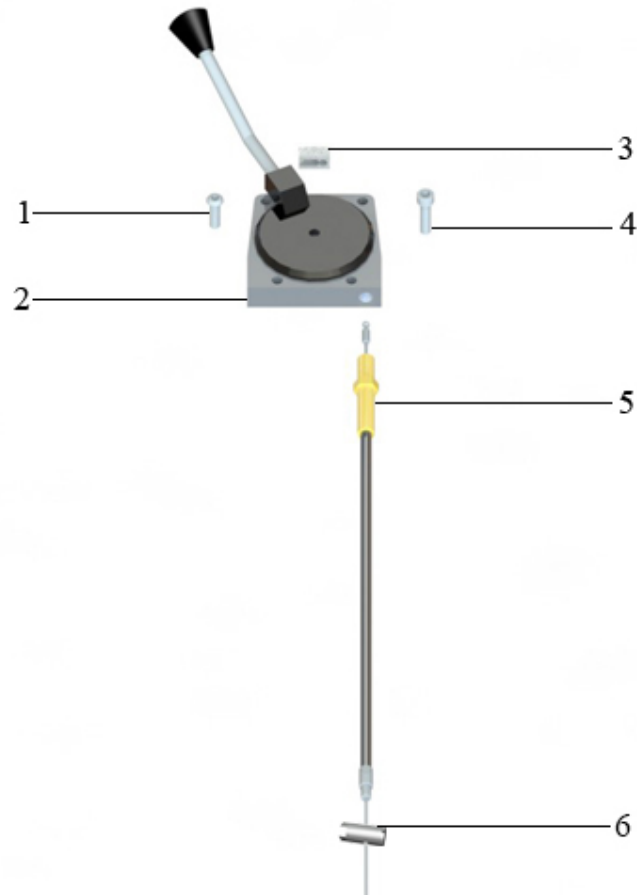
3.4. CHASSI, PARTS



Pos	Part.No	Label	No
1	307676	BATTERY COVER	1
2	1001103	SCREW / MELC6S 8x12 10.9	2
3	100175	BOLT / K6SF 6x25	2
4	307108	AIR INLET	1
5	100175	BOLT / K6SF 6x25	4
6	100444	WELL-NUT	4
7	100303	WASHER / BRB 13,0x24 HB200 fzb	4
8	100923	RUBBER END CAP	1
9	307701	CHASSI	1
10	301172	BRACKET	2
11	307115	LEFT SIDE COVER	1
12	100207	NUT / LOCKING6 BH8 låg fzb	15
13	301128	BRACKET	5
14	100154	BOLT / MC6S 12x20 8.8 fzb	4
15	301122	BUFFER	1
16	100310	WASHER / HS12	4
17	100303	WASHER / BRB 13,0x24 HB200 fzb	4
18	307117	COVER	1
19	100444	WELL-NUT	6
20	100175	BOLT / K6SF 6x25	6
21	307116	RIGHT SIDE COVER	1

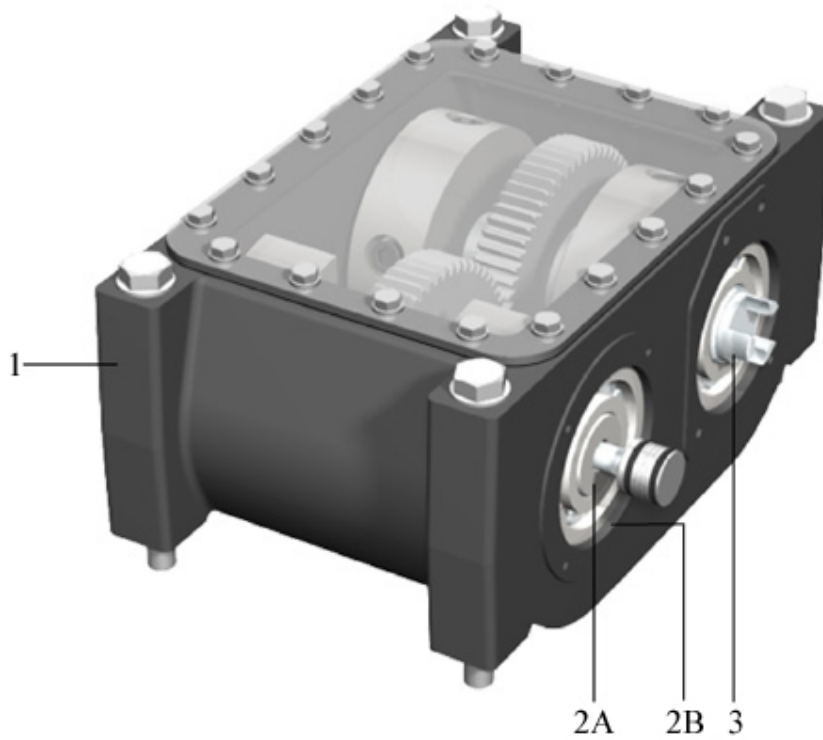
22	100127	BOLT / MC6S 10x25 8.8 fzb	4
23	307018	OIL COOLER BRACKET	1
24	101003	COUPLING R1/4"UF-R1/4"UF	3
25	1001126	BOLT / M6SZ 6x16 FZB	4
26	100444	WELL-NUT	4
27	100175	BOLT / K6SF 6x25	2
28	307120	POLE PROTECTION	1
29	100175	BOLT / K6SF 6x25	2

3.5. THROTTLE, PARTS



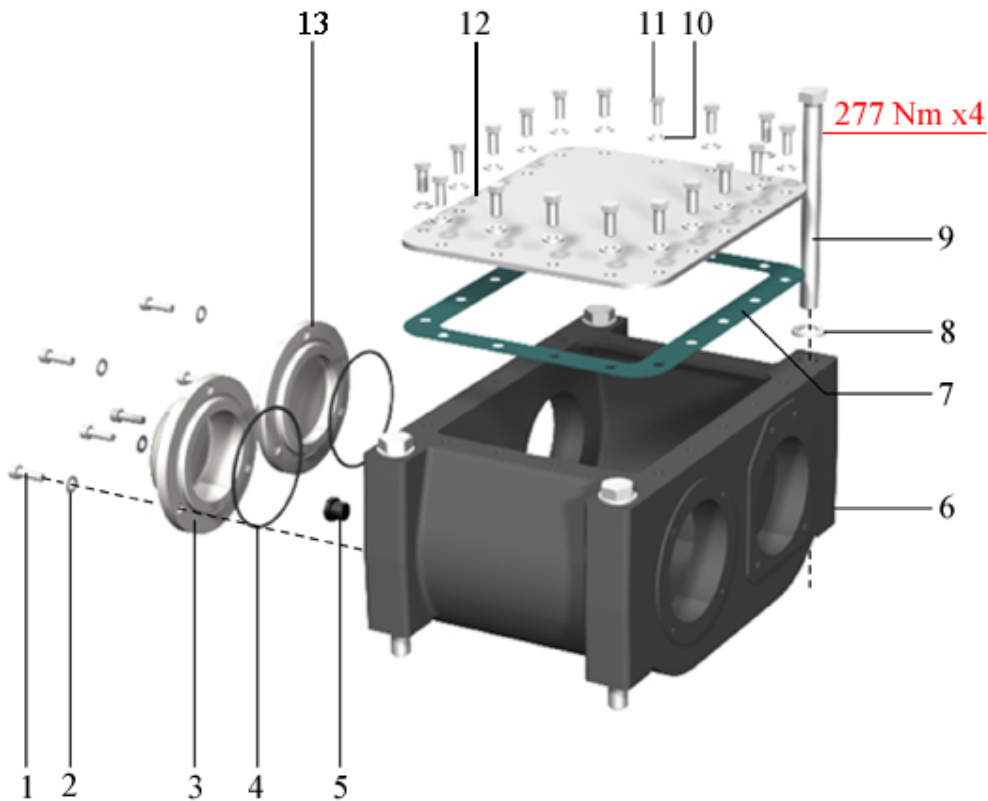
Pos	Part.No	Label	No
1	1001122	BOLT / K6S 6x20 Fzb	1
2	101117	THROTTLE	1
3	101118	NIPPLE	1
4	100114	BOLT / MC6S 8x20 8.8 fzb	1
5	307720	THROTTLE CABLE	1
6	101105	NIPPEL	1

4. VIBRATION UNIT



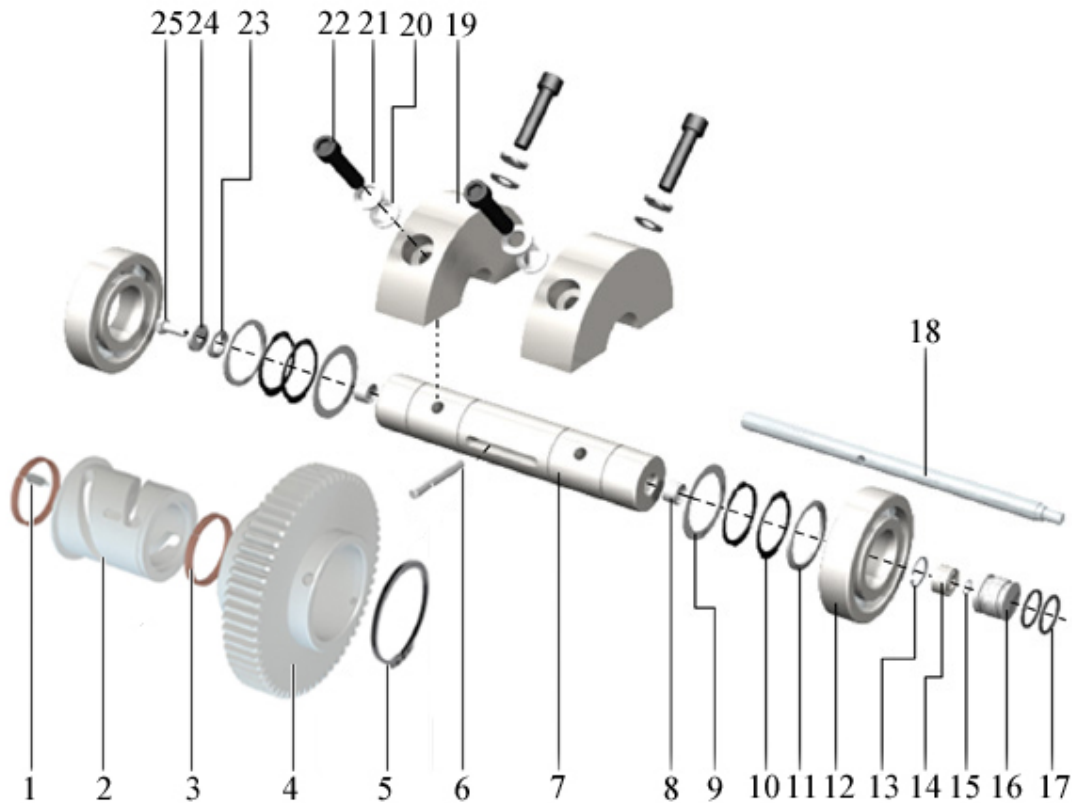
Pos	Label
1	Housing, part
2	B Shaft with cog wheel, parts
2	A Shaft with cog wheel, cpl
3	Coupling shaft

4.1. HOUSING, PART



Pos	Part.No	Label	No
1	100117	BOLT / MC6S 8x25 8.8 fzb	6
2	100301	WASHER / BRB 8,4x16 HB200 fzb	6
3	301206	BEARING CAP	1
4	100602	O-RING / 99,5x3 NBR 70	2
5	101000	PLUG R3/8	1
6	205012	HOUSING	1
7	205052	SEAL	1
8	100335	WASHER / TBRB 17x30x6 fzb HB305.	4
9	1001163	BOLT / M6S 16x190 10.9 fzb	4
10	100326	WASHER / HS 8	18
11	100100	BOLT / M6S 8x20 8.8 fzb	18
12	301211	LOCK	1
13	307016	PUMP FLANGE	1

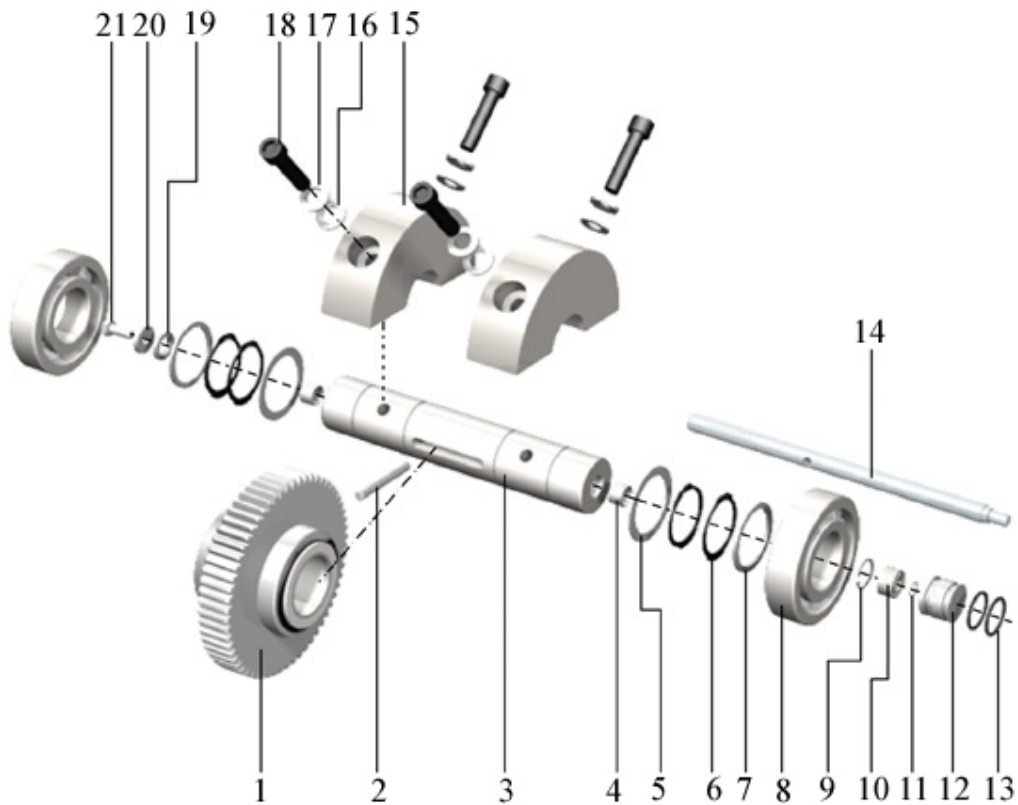
4.2. B SHAFT WITH COG WHEEL, PARTS



Pos	Part.No	Label	No
1	100460	FLAT KEY / RK 6x6x16	1
2	301198	SLEEVE	1
3	100525	SLIDE BEARING	2
4	301197	COG WHEEL	1
5	100461	CIRCLIP / SGA 65	1
6	301283	CYLINDRIC PIN, HARDENED	1
7	301199	SHAFT	1
8	100506	SLIDE BEARING	2
9	301207	WASHER	2
10	100411	CIRCLIP / SGA 45	4
11	100423	SUPPORT RING / SS 45x55x3	2
12	100510	ROLLER BEARING / NJ 309E-C3	2
13	100443	CIRCLIP / SGH 22	1
14	100526	BALL BEARING / 61900	2
15	100445	CIRCLIP / SGA 10	1
16	301204	PISTON	1
17	100627	O-RING / 24,2x3 VITON	2
18	301200	CONTROL ROD	1
19	307549	EXCENTER	2
20	100303	WASHER / BRB 13,0x24 HB200 fzb	4
21	100310	WASHER / HS12	4

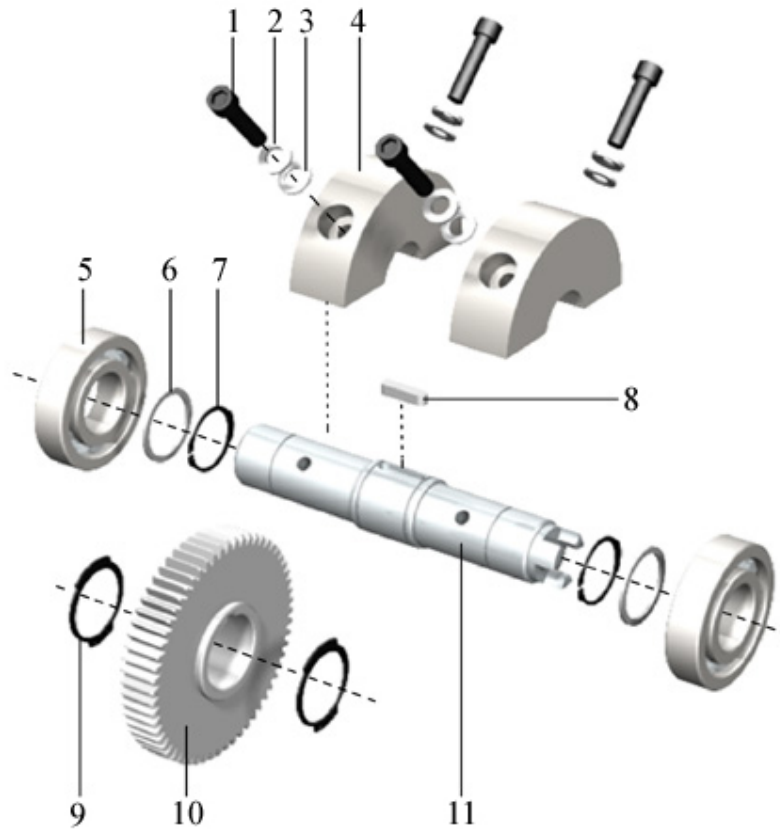
22	100141	BOLT / MC6S 12x50 12.9	4
23	301251	WASHER	1
24	301205	WASHER	1
25	100100	BOLT / M6S 8x20 8.8 fzb	1

4.2. A SHAFT WITH COG WHEEL, CPL



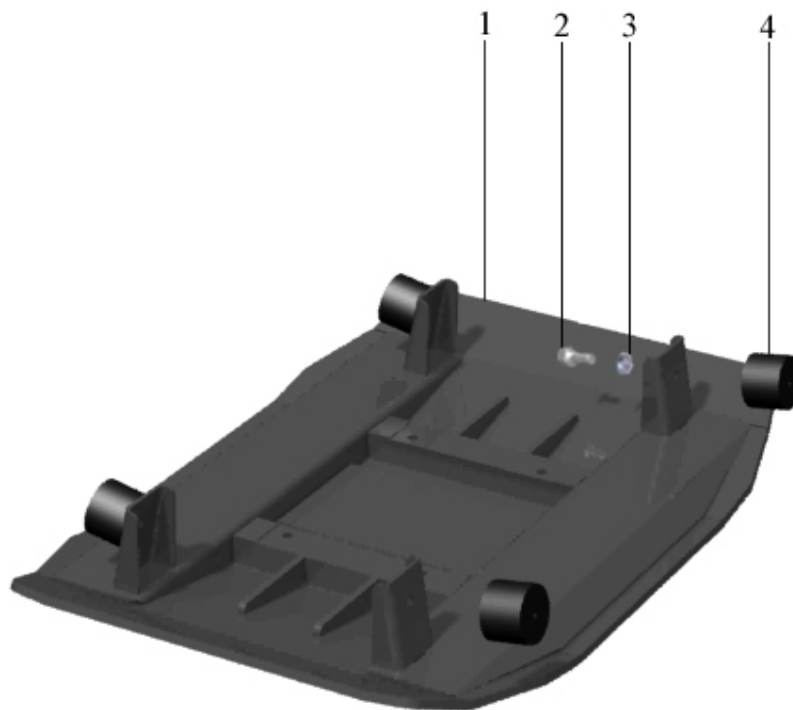
Pos	Part.No	Label	No
1	301203	COG WHEEL	1
2	301283	CYLINDRIC PIN, HARDENED	1
3	301199	SHAFT	1
4	100506	SLIDE BEARING	2
5	301207	WASHER	2
6	100411	CIRCLIP / SGA 45	4
7	100423	SUPPORT RING / SS 45x55x3	2
8	100510	ROLLER BEARING / NJ 309E-C3	2
9	100443	CIRCLIP / SGH 22	1
10	100526	BALL BEARING / 61900	2
11	100445	CIRCLIP / SGA 10	1
12	301204	PISTON	1
13	100627	O-RING / 24,2x3 VITON	2
14	301200	CONTROL ROD	1
15	307549	EXCENER	2
16	100303	WASHER / BRB 13,0x24 HB200 fzb	4
17	100310	WASHER / HS12	4
18	100141	BOLT / MC6S 12x50 12.9	4
19	301251	WASHER	1
20	301205	WASHER	1
21	100100	BOLT / M6S 8x20 8.8 fzb	1

4.3. COUPLING SHAFT



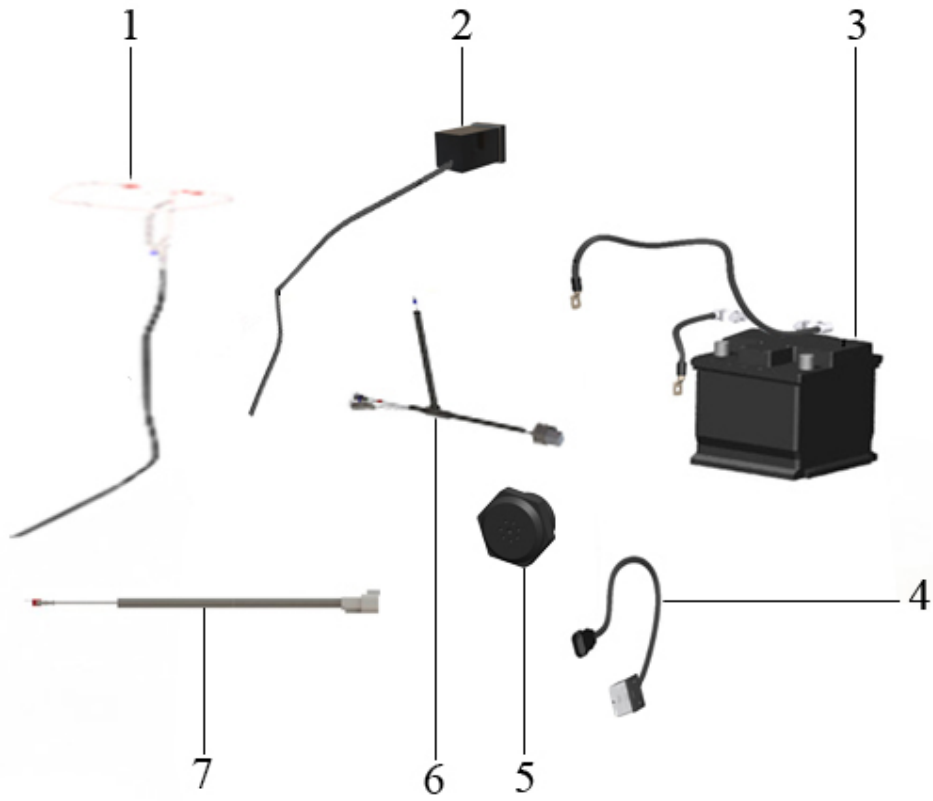
Pos	Part.No	Label	No
1	100141	BOLT / MC6S 12x50 12.9	4
2	100310	WASHER / HS12	4
3	100303	WASHER / BRB 13,0x24 HB200 fzb	4
4	307549	EXCENTER	2
5	100510	ROLLER BEARING / NJ 309E-C3	2
6	100423	SUPPORT RING / SS 45x55x3	2
7	100411	CIRCLIP / SGA 45	2
8	100410	FLAT KEY / RK 10x8x36	1
9	100422	CIRCLIP / SGA 50	2
10	205009	COG WHEEL	1
11	307014	COUPLING SHAFT	1

5. BASE PLATE



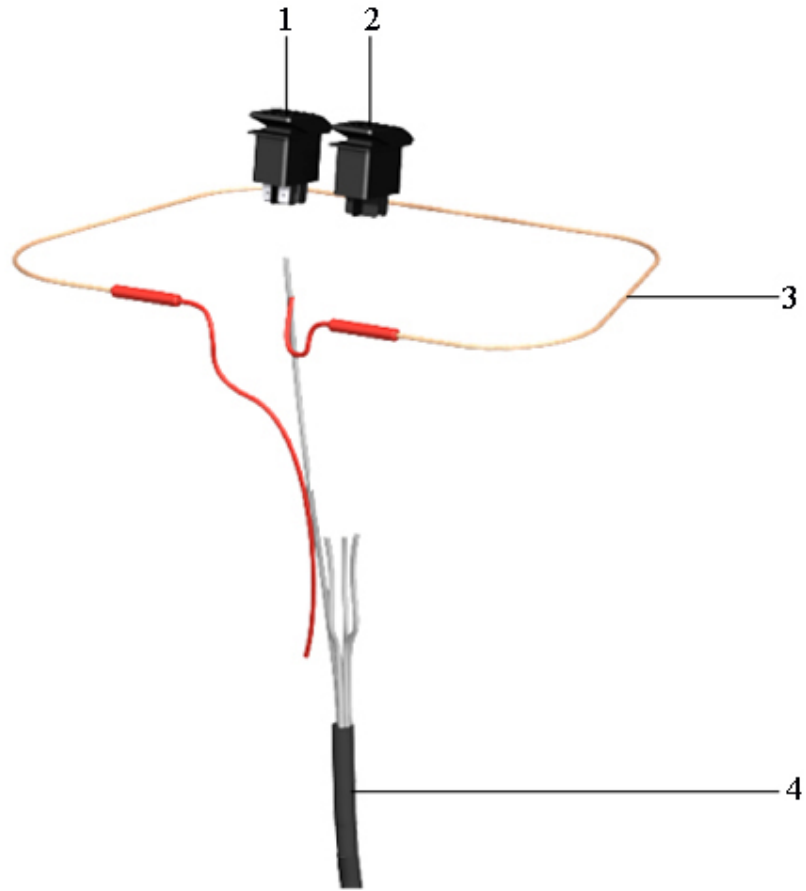
Pos	Part.No	Label	No
1	306501	BASE PLATE	1
2	100125	BOLT / M6S 12x20 8.8 fzb	4
3	100303	WASHER / BRB 13,0x24 HB200 fzb	4
4	100729	VIBRATION ISOLATOR	4

6. ELECTRIC SYSTEM



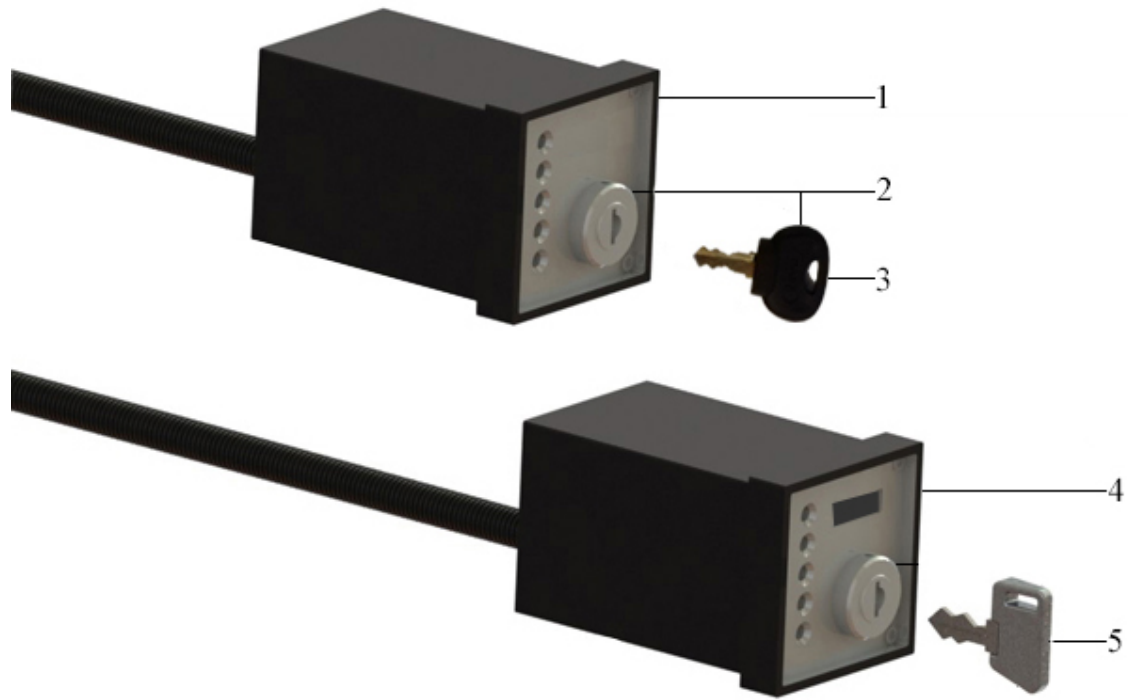
Pos	Label
1	Electric components in the handle
2	Start panel
3	Battery, parts
4	Connectors
5	Buzzer
6	Cooler harness
7	Harness temperature guard

6.1. ELECTRIC COMPONENTS IN THE HANDLE



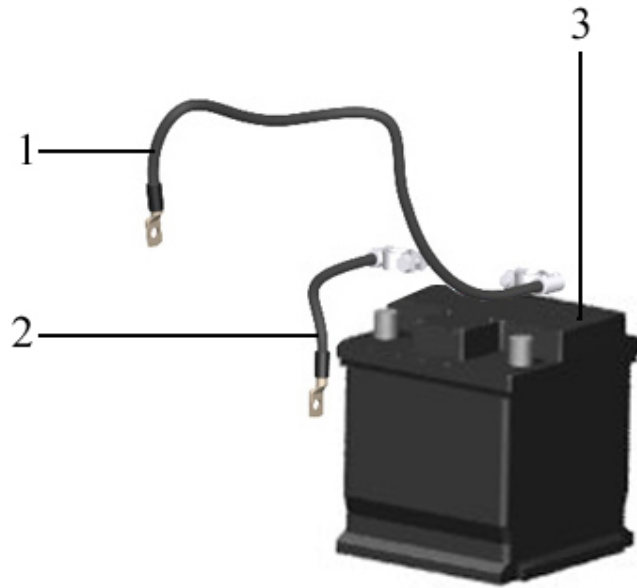
Pos	Part.No	Label	No
1	100911	CIRCUIT BREAKER VIBR. ON / OFF	1
2	100909	CIRCUIT BREAKER HANDLE HEATING	1
3	301170	HANDLE HEATER	1
4	307505	WIRING HARNESS	1

6.2. START PANEL



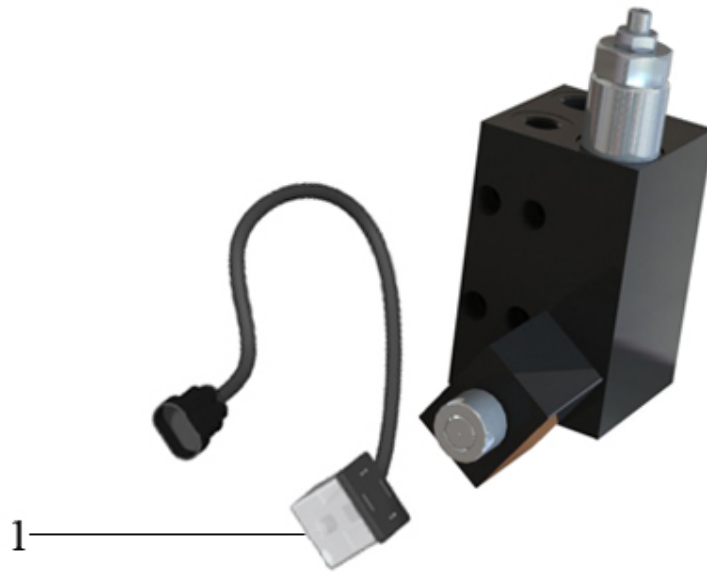
Pos	Part.No	Label	No
1	102045	START PANEL	1
2	102066	IGNITION STARTER	1
3	102067	START KEY	1
4	1020100	START PANEL WITH HOUR COUNTER	1
5	101979	START KEY, EARLIER	1

6.3. BATTERY, PARTS



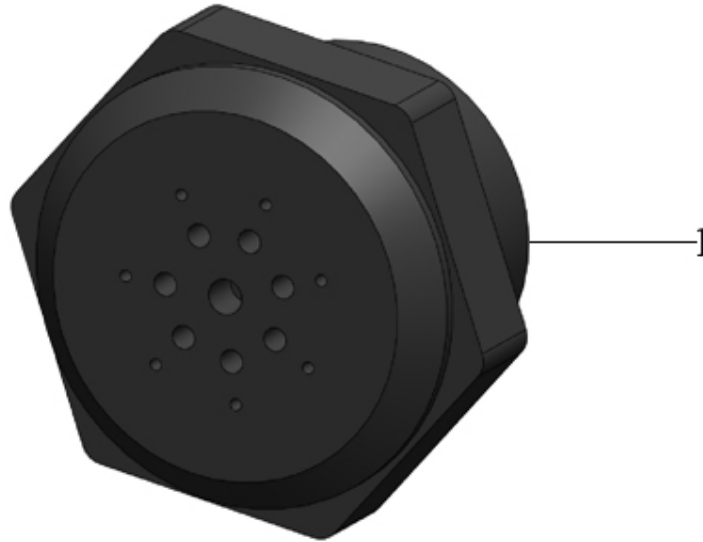
Pos	Part.No	Label	No
1	307502	BATTERY CABLE+	1
2	301259	BATTERY CABLE-	1
3	100977	BATTERY	1

6.4. CONNECTORS



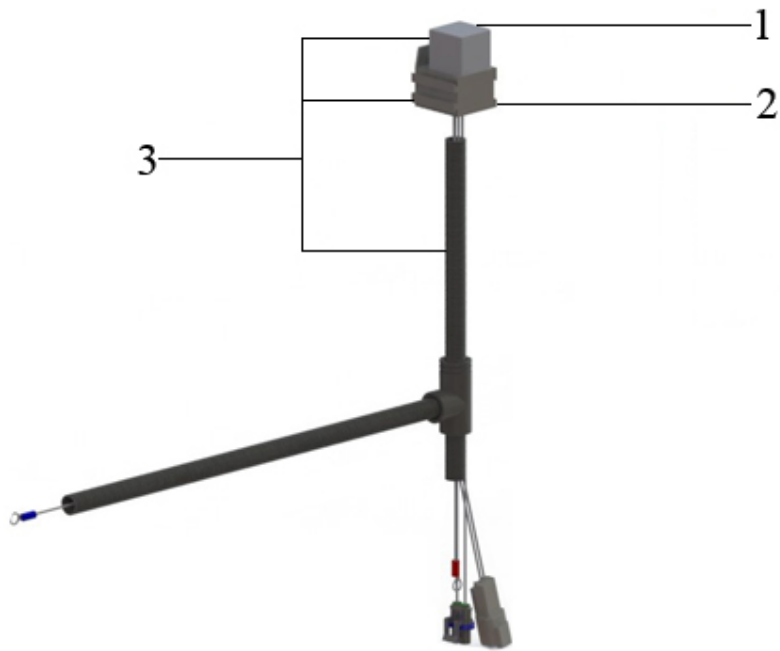
Pos	Part.No	Label	No
1	100956	HARNESS FOR SOLENOID VALVE	1

6.5. BUZZER



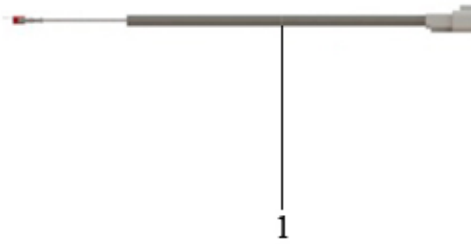
Pos	Part.No	Label	No
1	102063	BUZZER	1

6.6. COOLER HARNESS



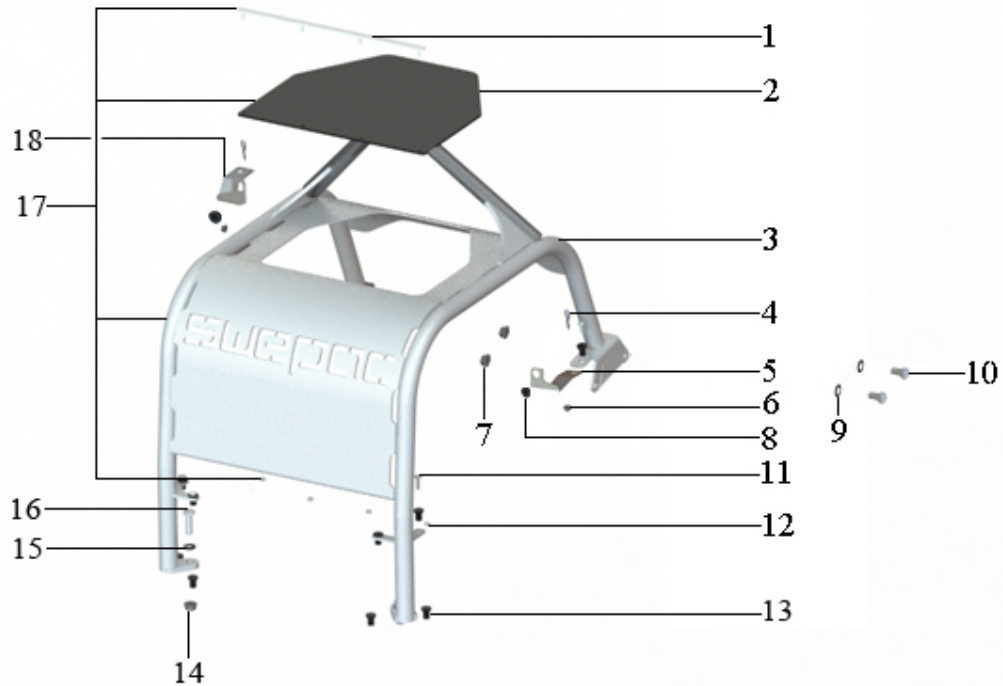
Pos	Part.No	Label	No
1	100932	RELAY MINI 12V	1
2	100933	RELAY SOCKET 9-POLE	1
3	307077	COOLER HARNESS	1

6.7. HARNESS TEMPERATURE GUARD



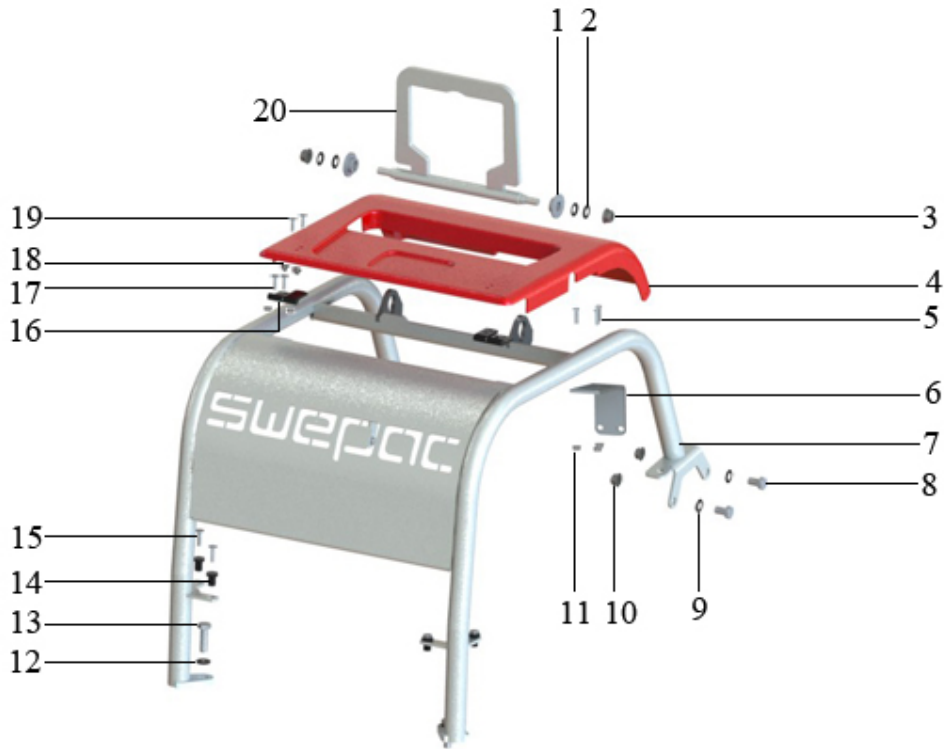
Pos	Part.No	Label	No
1	307516	HARNESS TEMPERATUR GUARD	1

7. A PROTECTIVE FRAME



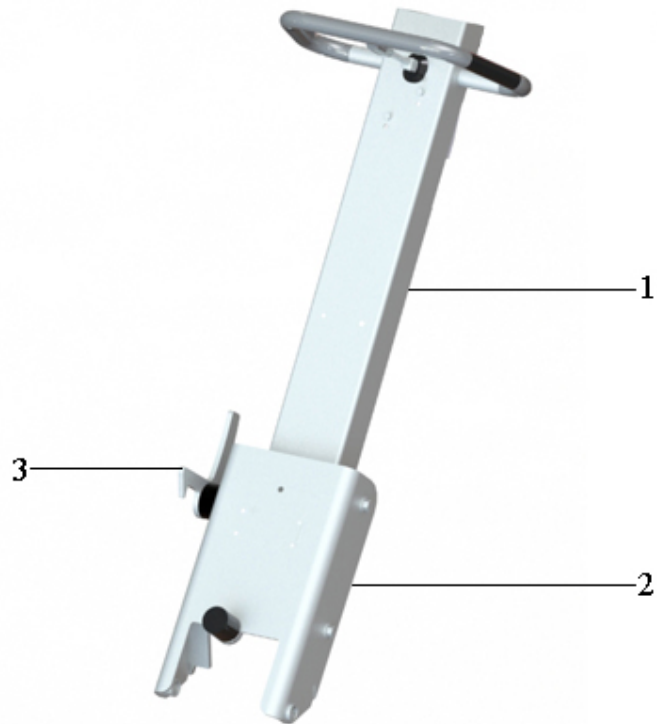
Pos	Part.No	Label	No
1	307724	BRACKET	1
2	307715	COVER	1
3	307749	PROTECTIVE FRAME	1
4	1001279	SCREW / MC6S 4x20 8,8	2
5	307716	BRACKET	1
6	100244	NUT / M6M4 NYLOC FZB	2
7	100226	NUT / LOCKING M6MF M12	4
8	100454	SNAP CAP	2
9	100303	WASHER / BRB 13,0x24 HB200 fzb	4
10	100125	BOLT / M6S 12x20 8.8 fzb	4
11	100175	BOLT / K6SF 6x25	14
12	100207	NUT / LOCKING6 BH8 lág fzb	4
13	100444	WELL-NUT	14
14	100226	NUT / LOCKING M6MF M12	4
15	100310	WASHER / HS12	4
16	1001147	BOLT / M6S 12x40 8.8 fzb	2
17	307734	PROTECTIVE FRAME CPL	1
18	307717	BRACKET	1

7. B PROTECTIVE FRAME



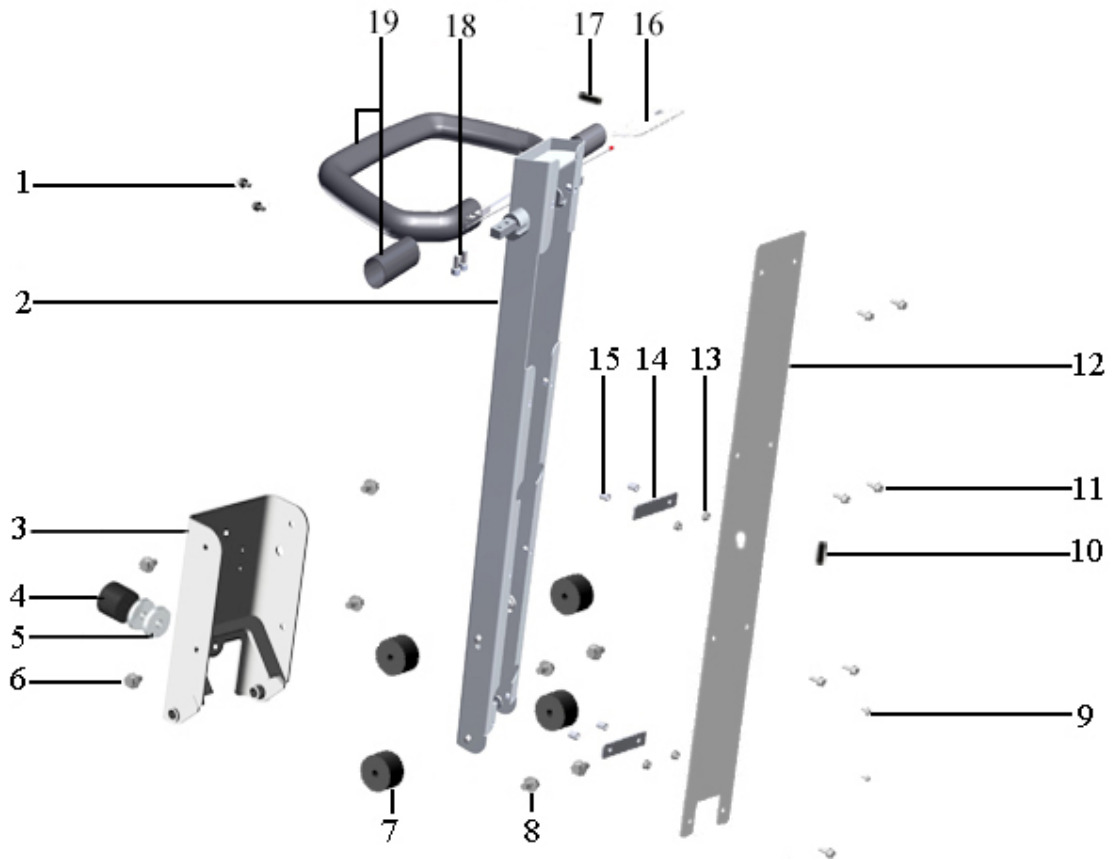
Pos	Part.No	Label	No
1	306535	SLEEVE	2
2	100349	WASHER SF-TAF 4300	4
3	100226	NUT / LOCKING M6MF M12	2
4	307107	HOOD	1
5	1001122	BOLT / K6S 6x20 Fzb	3
6	307513	BRACKET	1
7	307095	PROTECTIVE FRAME	1
8	100125	BOLT / M6S 12x20 8.8 fzb	2
9	100303	WASHER / BRB 13,0x24 HB200 fzb	2
10	100226	NUT / LOCKING M6MF M12	2
11	100222	NUT / LOCKING M6MF M6	5
12	100310	WASHER / HS12	2
13	1001147	BOLT / M6S 12x40 8.8 fzb	2
14	100444	WELL-NUT	6
15	100175	BOLT / K6SF 6x25	6
16	101145	HINGE	2
17	100175	BOLT / K6SF 6x25	2
18	100222	NUT / LOCKING M6MF M6	4
19	100175	BOLT / K6SF 6x25	2
20	306526	LIFTEYE	1

8. HANDLE



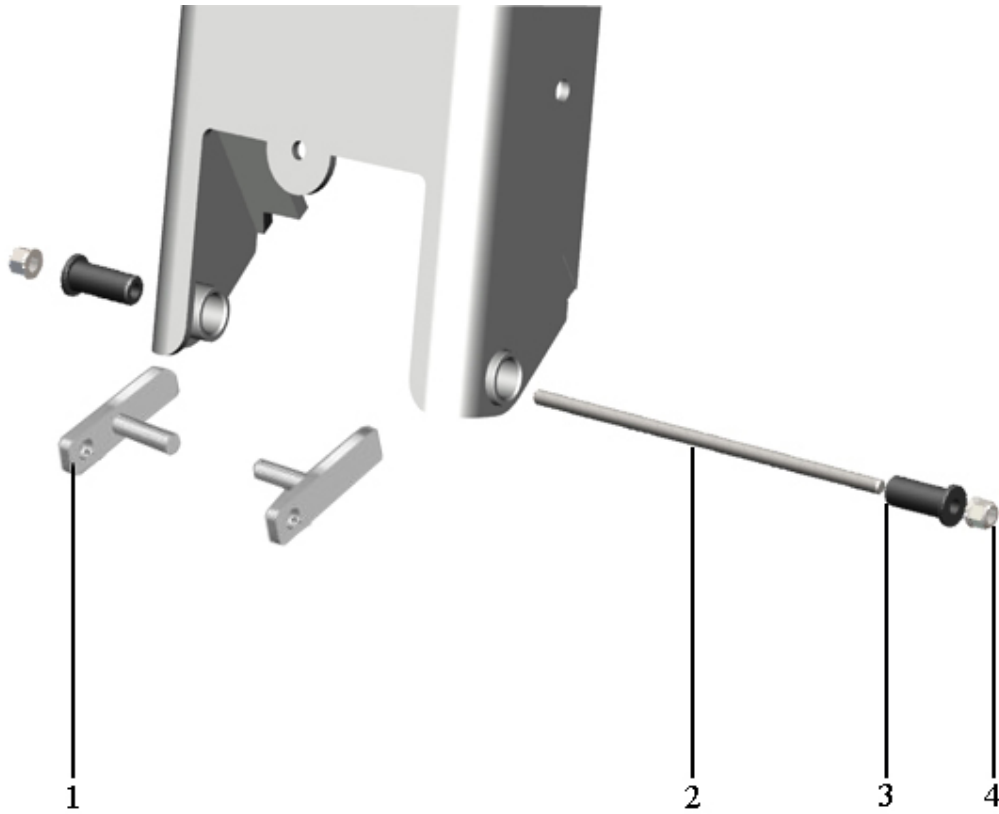
Pos	Label
1	Handle, parts
2	Handle attachment, parts
3	Hook, parts

8.1. HANDLE, PARTS



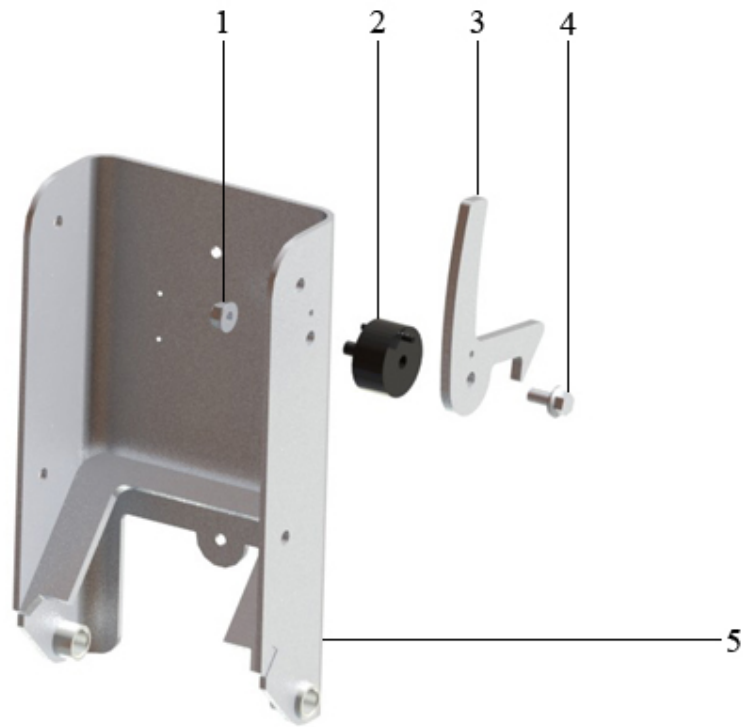
Pos	Part.No	Label	No
1	1001136	BOLT / M6SF 6x10 fzb	2
2	308165	HANDLE	1
3	307103	HANDLE ATTACHMENT	1
4	100745	IMPACT DAMPER	1
5	202088	WASHER	1
6	1001127	BOLT / M6SF 10x14 FZB	4
7	100723	VIBRATION ISOLATOR	4
8	1001107	BOLT / M6SF 8x20 8.8 FZB	4
9	1001127	BOLT / M6SF 10x14 FZB	2
11	1001126	BOLT / M6SZ 6x16 FZB	8
12	203091	COVER PLATE	1
13	100223	NUT / M6MF M6	4
14	306517	BRACKET	2
15	101123	SPACE RING	4
16	301164	DECAL HANDLE	1
17	100987	COVER	2
18	101188	SCREW / MC6S 8X16 8.8 FZB	4
19	307813	HANDLE CPL	1

8.2. HANDLE ATTACHMENT, PARTS



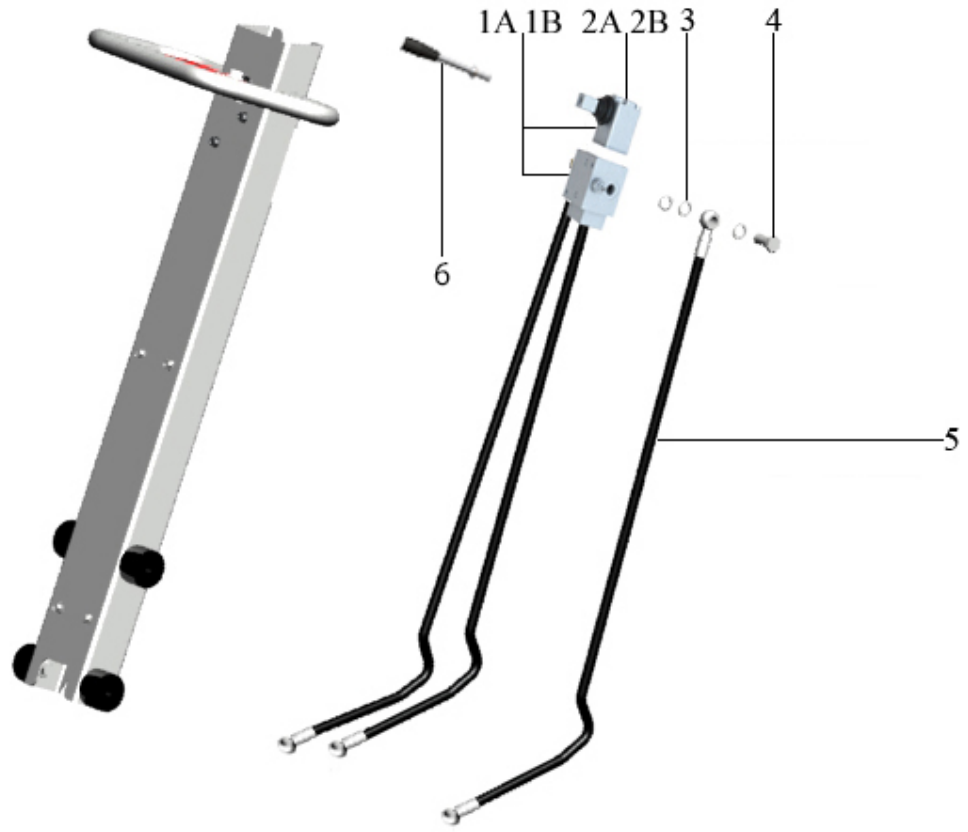
Pos	Part.No	Label	No
1	203020	CLEAT	2
2	203016	STUD BOLT	1
3	203017	SPHERICAL BEARING	2
4	100220	NUT / LOCKING M6MF M10	2

8.3. HOOK, PARTS



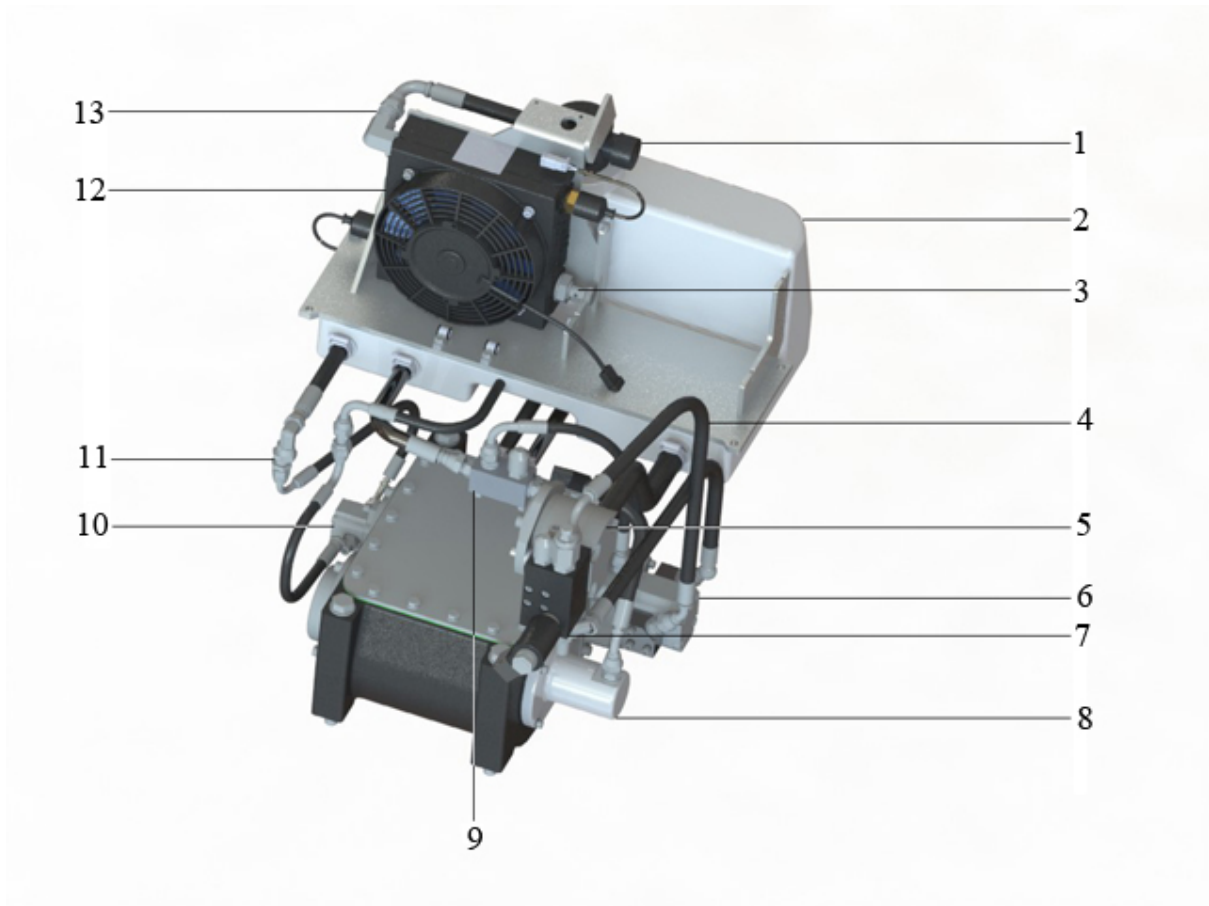
Pos	Part.No	Label	No
1	100220	NUT / LOCKING M6MF M10	1
2	100753	VIBRATION ISOLATOR	1
3	307106	HOOK	1
4	1001139	BOLT / M6SZ 10x20	1
5	307103	HANDLE ATTACHMENT	1

9. HYDRAULIC, HANDLE



Pos	Part.No	Label	No
1	101099	B VALVE, TYPE CBF BM024004	1
1	1010005	A VALVE, TYPE ATLANTIC FLUID Type Atlantic fluid EXPIRED	1
2	1010001	B ACTUATOR HOUSING, TYPE CBF	1
2	1010026	A ACTUATOR HOUSING, TYPE ATLANTIC FLUID	1
3	101009	RUBBER/STEEL WASHER R1/4	9
4	101067	COUPLING	3
5	307063	HYDRAULIC HOSE	3
6	1010060	LEVER CBF	1

10. HYDRAULIC SYSTEM



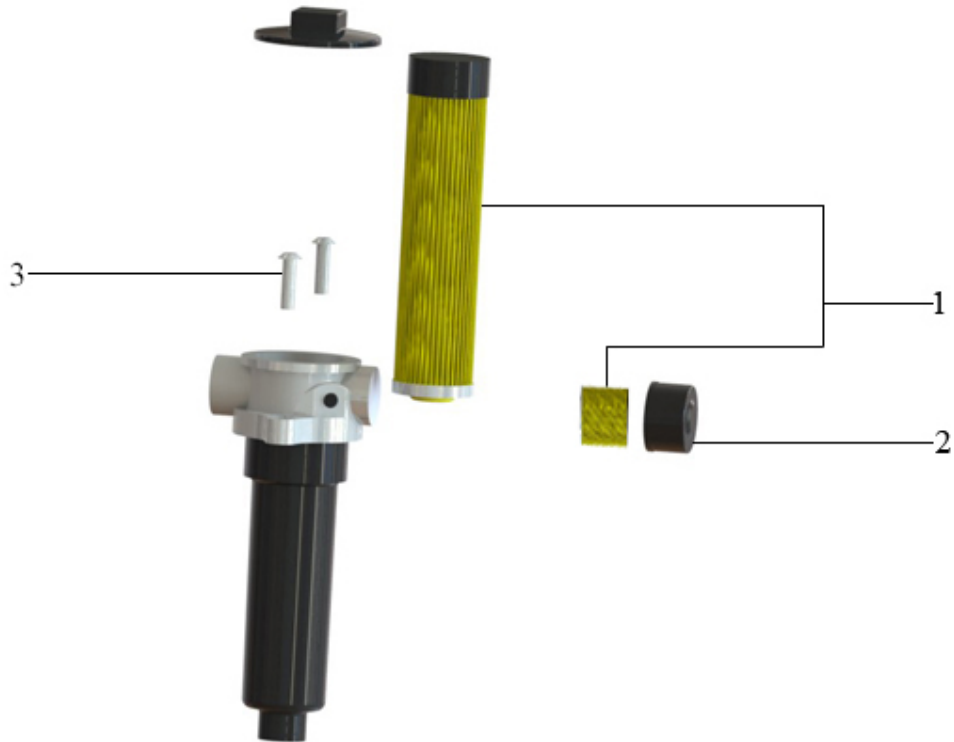
Pos	Label
1	Hydraulic oil filter
2	Hydraulic oil tank
3	Hydraulic mounting parts
4	Hydraulic, hoses
5	Hydraulic pump, parts
6	Hydraulic motor, parts
7	Hydraulic block, parts serie nr t.o.m 7004973
7	Hydraulic block, parts serie nr fr.o.m 7004974
8	Cylinder, parts
9	Distributor block
10	Hydraulic pump, parts
11	Hydraulic mounting parts
12	Hydraulic cooler
13	Hydraulic mounting parts

10.1. HYDRAULIC OIL FILTER



Pos	Label
1	Hydraulic oil filter, parts
1	Hydraulic oil filter cpl.

10.1.1. HYDRAULIC OIL FILTER, PARTS



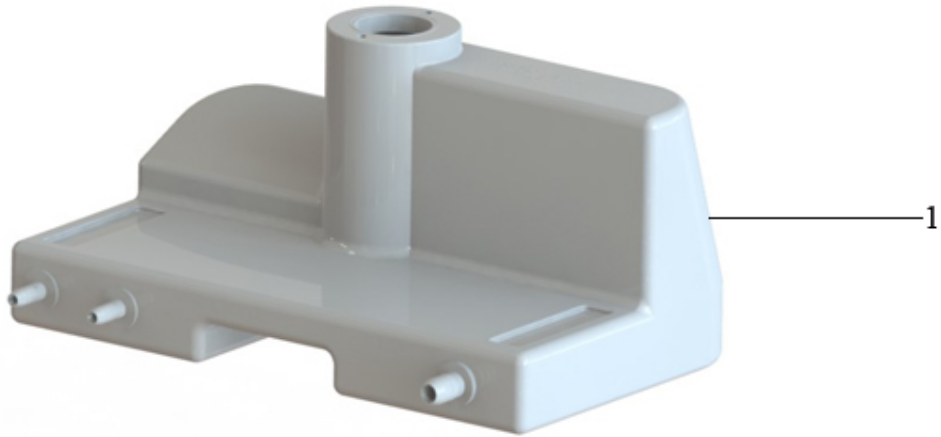
Pos	Part.No	Label	No
1	1010017	FILTER KIT	1
2	1001348	FILTER CAP	1
3	1001151	BOLT / DELTA PT 80x30	2

10.1.1. HYDRAULIC OIL FILTER CPL.



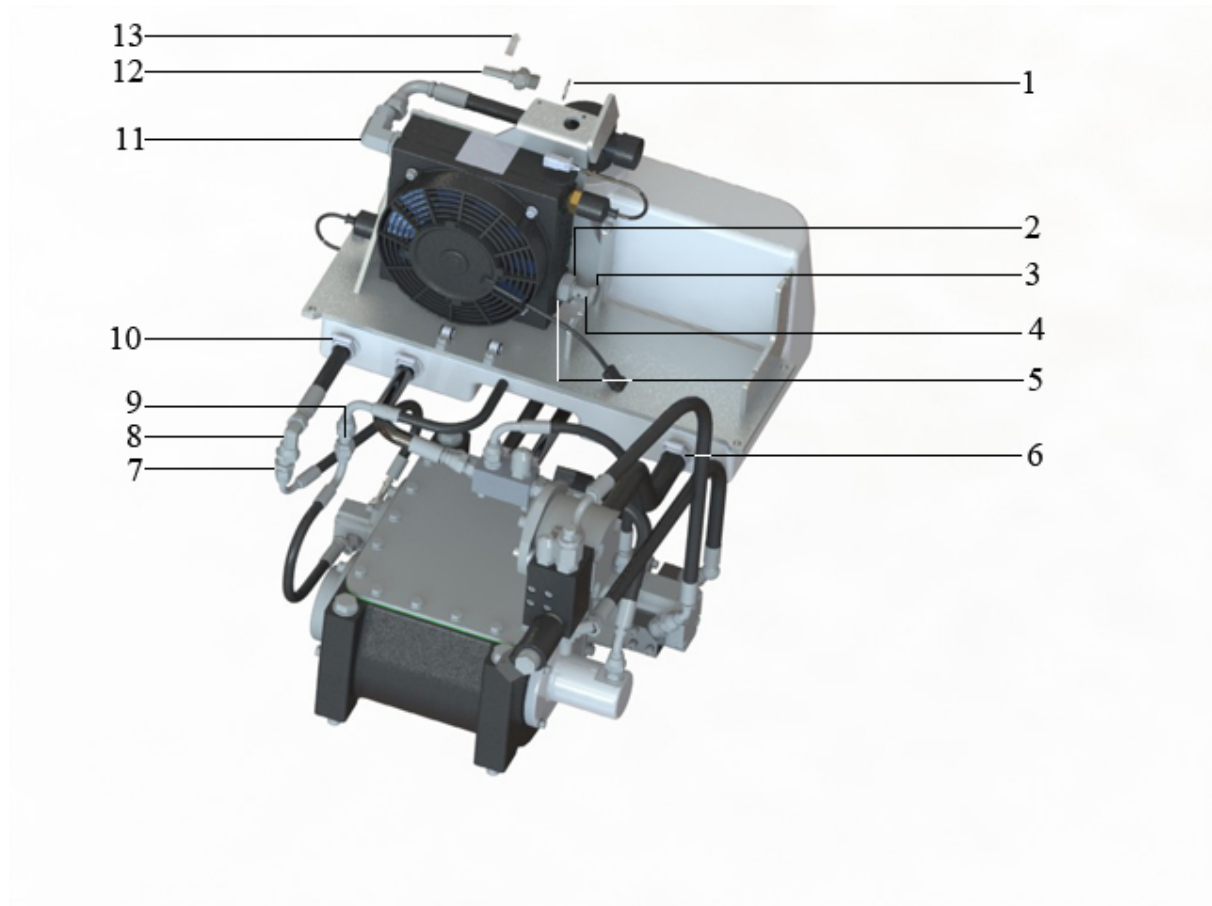
Pos	Part.No	Label	No
1	1010007	FILTER	1

10.2. HYDRAULIC OIL TANK



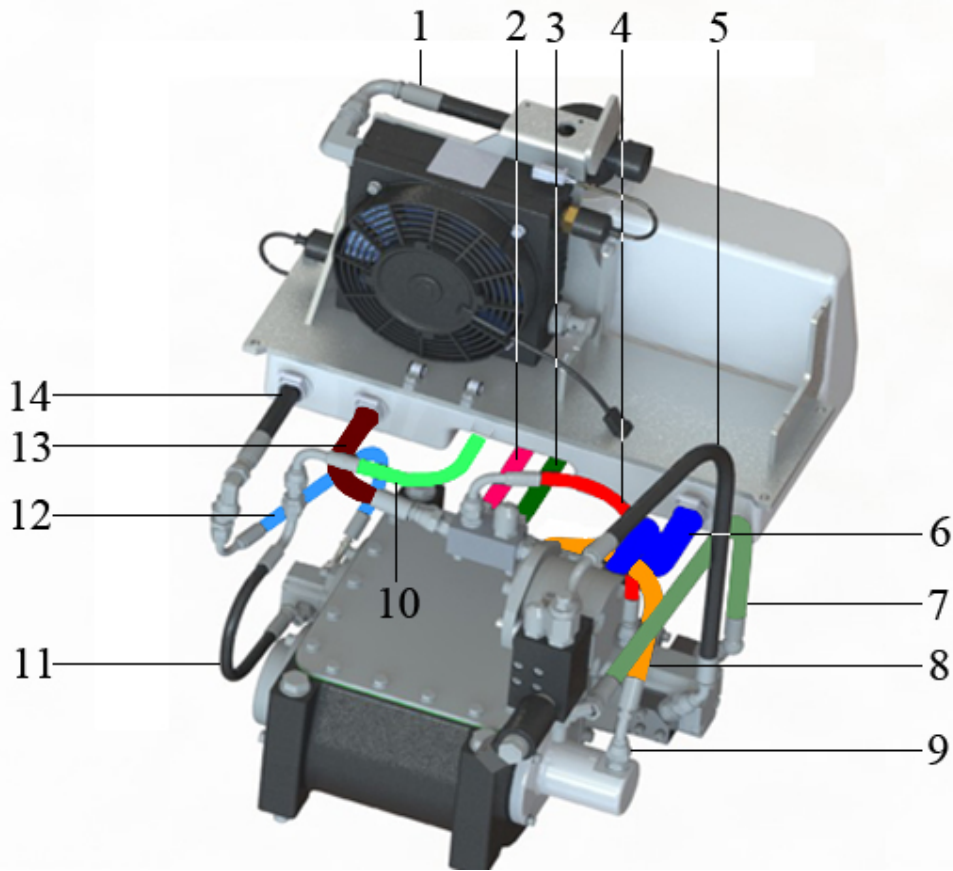
Pos	Part.No	Label	No
1	307015	HYDRAULIC OIL TANK	1

10.3. HYDRAULIC MOUNTING PARTS



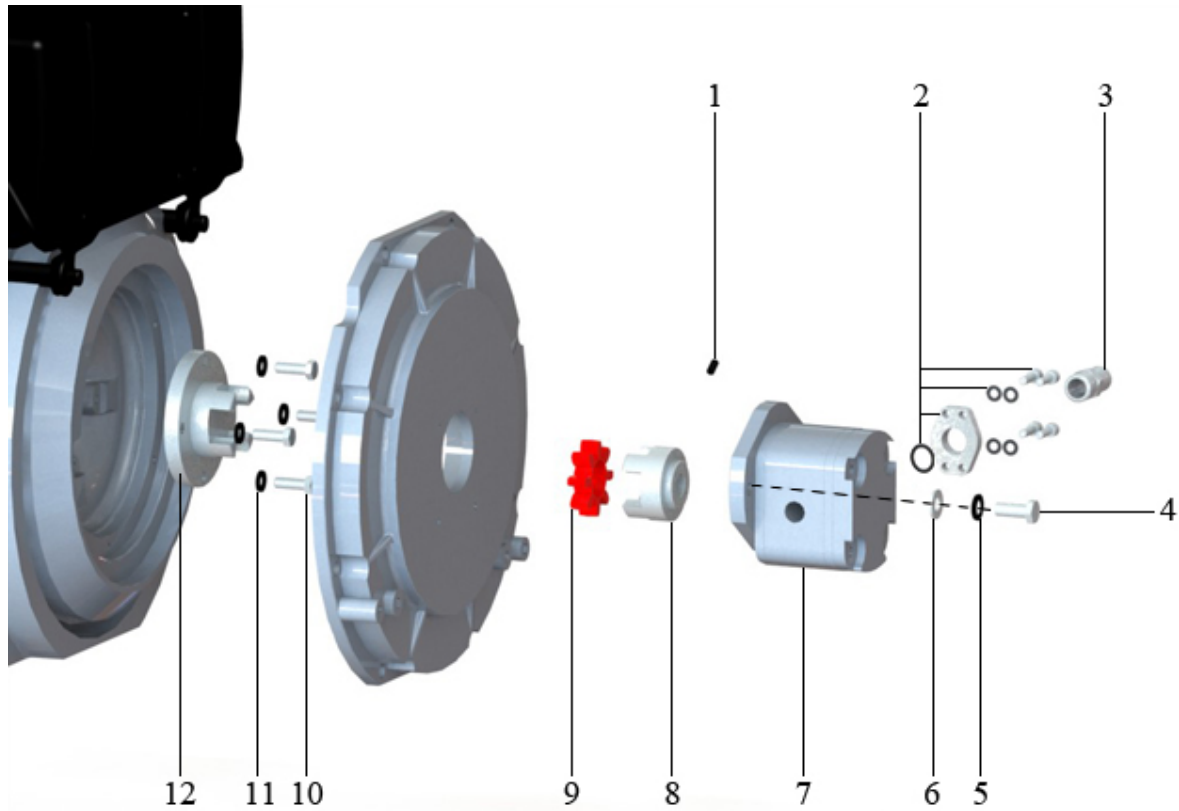
Pos	Part.No	Label	No
1	101060	RUBBER/STEEL WASHER R 1/2	1
1	100415	HOSE CLIP/ 22-32 mm	1
2	1010010	ADAPTER G3/4"UF-ED X 3/8"IF	1
3	1010011	COUPLING	1
4	101010	RUBBER/STEEL WASHER R3/8	2
5	101040	RUBBER/STEEL WASHER R3/4	1
6	100415	HOSE CLIP/ 22-32 mm	1
7	1010008	COUPLING R3/8"UF-R3/8"UF	1
8	1010020	ADAPTER 3/8"UF-3/8" 90°	1
9	101003	COUPLING R1/4"UF-R1/4"UF	1
10	100473	SUPER HOSE CLAMP	2
11	1010021	ADAPTER 1/2"UF-3/4"UF STB 90°	1
12	1010022	ADAPTER 1/2"UF-1/2"	1
13	100473	SUPER HOSE CLAMP	1

10.4. HYDRAULIC, HOSES



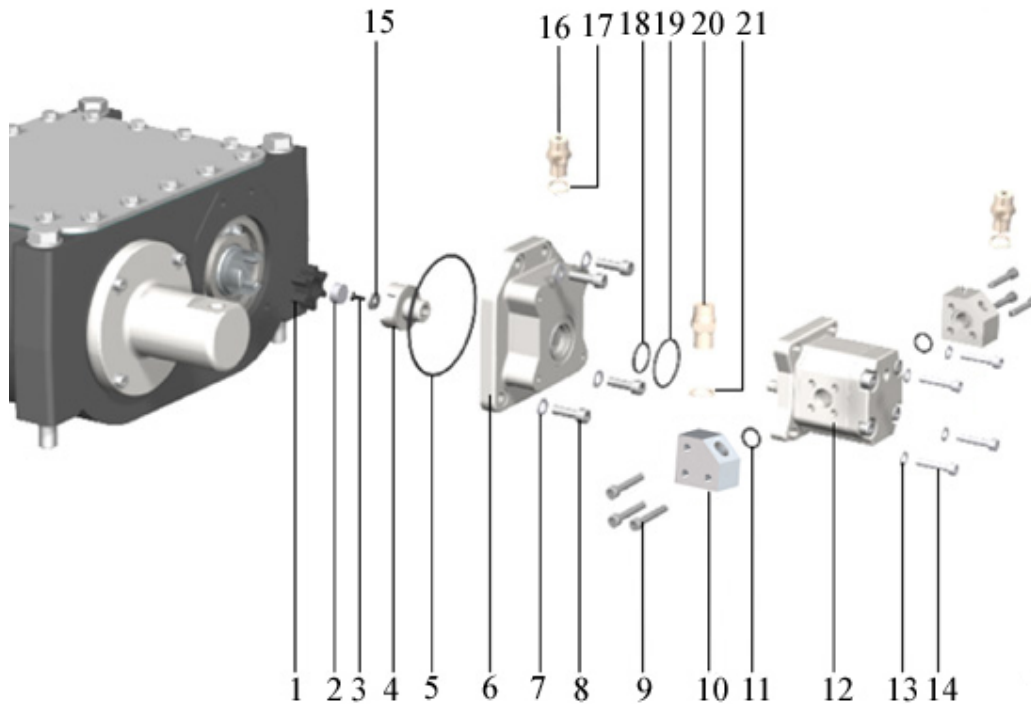
Pos	Part.No	Label	No
1	307094	HYDRAULIC HOSE	1
2	307121	HYDRAULIC HOSE	1
3	307121	HYDRAULIC HOSE	1
4	307064	HYDRAULIC HOSE	1
5	307087	HYDRAULIC HOSE	1
6	307075	HYDRAULIC HOSE	1
7	301218	HYDRAULIC HOSE	1
8	307735	HYDRAULIC HOSE	1
9	101083	COUPLING / R3/8UF-R3/8UF 90 STB	1
10	307067	HYDRAULIC HOSE	1
11	307071	HYDRAULIC HOSE	1
12	307072	HYDRAULIC HOSE	1
13	307066	HYDRAULIC HOSE	1
14	307065	HYDRAULIC HOSE	1

10.5. HYDRAULIC PUMP, PARTS



Pos	Part.No	Label	No
1	100133	BOLT / MP6SS 6x12 SS	1
2	101055	FLANGE	1
3	206058	SUCTION CONNECTION	1
4	1001285	SCREW / MLC6SS 10x30 8.8 low	2
5	100313	WASHER / HS10	2
6	100302	WASHER / BRB 10,5x22 HB200 fzb	2
7	1010046	HYDRAULIC PUMP	1
8	206057	PUMP CONNECTION	1
9	100807	GEAR RIM	1
10	100101	BOLT / M6S 8x 25 8.8 fzb	4
11	100326	WASHER / HS 8	4
12	206040	CLUTCH	1

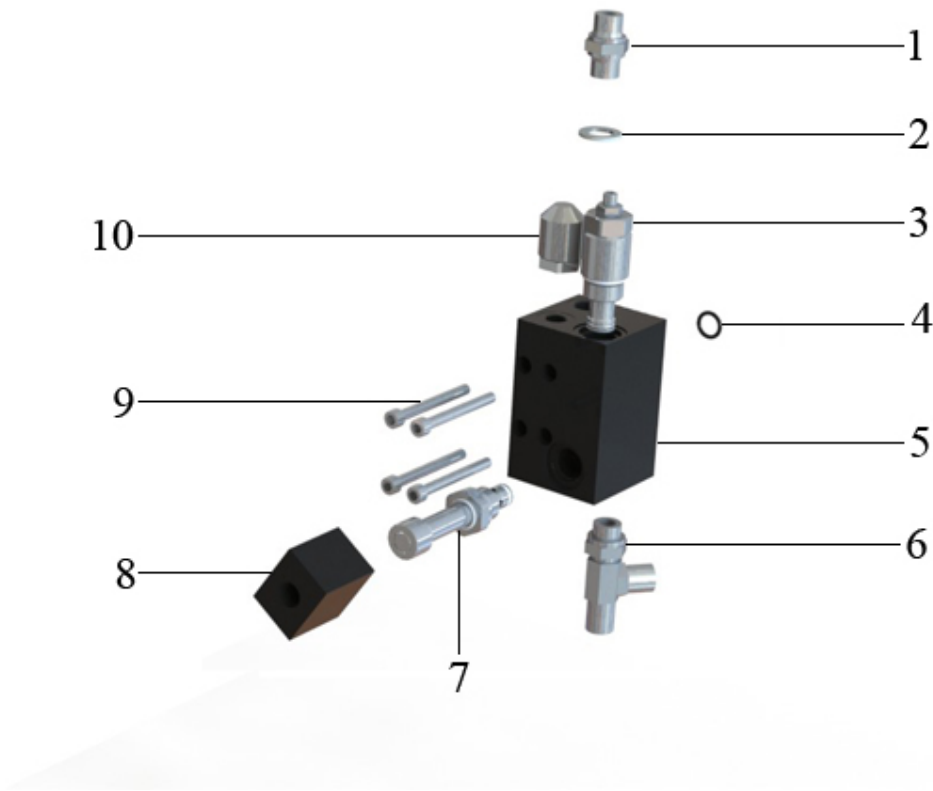
10.6. HYDRAULIC MOTOR, PARTS



Pos	Part.No	Label	No
1	100804	GEAR RIM	1
2	203168	PLUG	1
3	100120	BOLT / MF6S 4x12 10.9	1
4	203028	CLUTCH	1
5	100602	O-RING / 99,5x3 NBR 70	1
6	205014	HYDRAULIC MOTOR FLANGE	1
7	100301	WASHER / BRB 8,4x16 HB200 fzb	4
8	100117	BOLT / MC6S 8x25 8.8 fzb	4
9	100161	BOLT / MC6S 6x40 8.8 fzb	6
10	307046	CONNECTION	2
11	100606	O-RING / 15,3x2,4 NBR 70	2
12	1010047	HYDRAULIC MOTOR 11161444	1
12	101014	HYDRAULIC MOTOR M3BAN	1
13	100300	WASHER / BRB 6,4x12 HB200 fzb	4
14	100118	BOLT / MC6S 6x30 8.8 fzb	4
15	100311	WASHER	1
16	101007	COUPLING / R1/4UF-R1/4UF	1
17	101009	RUBBER/STEEL WASHER R1/4	1
18	100607	O-RING / 24,6x2,4 NBR 70	1
19	100605	O-RING / 39,6x2,4 NBR 70	1
20	101008	COUPLING / R1/4UF-R3/8UF	1

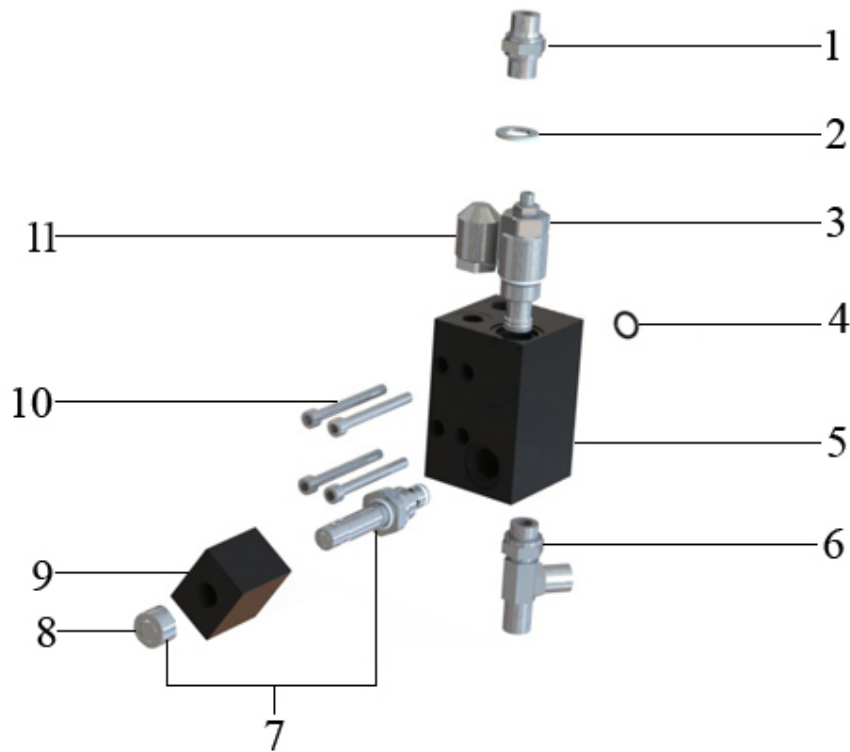
21	101009	RUBBER/STEEL WASHER R1/4	1
----	--------	--------------------------	---

10.7. HYDRAULIC BLOCK, PARTS SERIE NR T.O.M 7004973



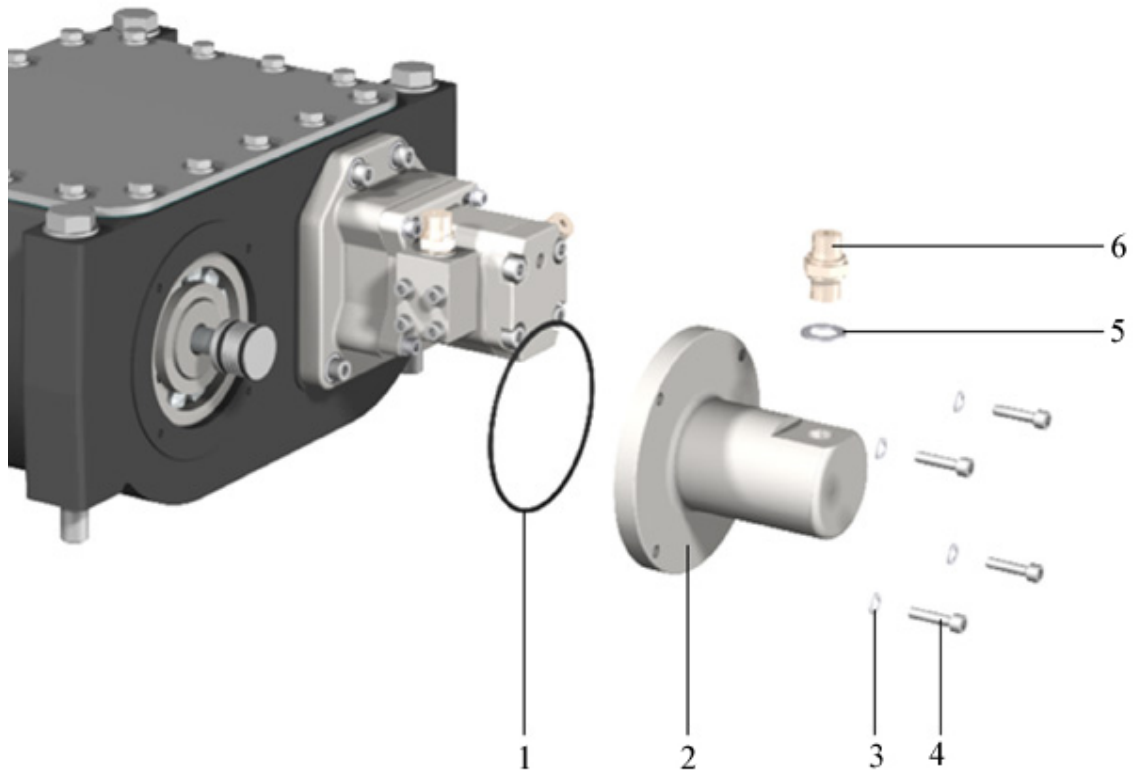
Pos	Part.No	Label	No
1	101004	COUPLING / R3/8UF-R3/8UF	1
2	101010	RUBBER/STEEL WASHER R3/8	1
3	1010033	PRESSURE LIMITING VALVE	1
4	100629	O-RING	1
5	1010031	HYDRAULIC BLOCK	1
6	101084	COUPLING / R3/8"UFxUFxUF"L"STB	1
7	1010032	VALVE	1
8	1010034	MAGNETIC COIL	1
9	1001123	BOLT / MC6S 6x60 8.8 Fzb	4
10	101027	MEASURING NIPPLE	1

10.7. HYDRAULIC BLOCK, PARTS SERIE NR FR.O.M 7004974



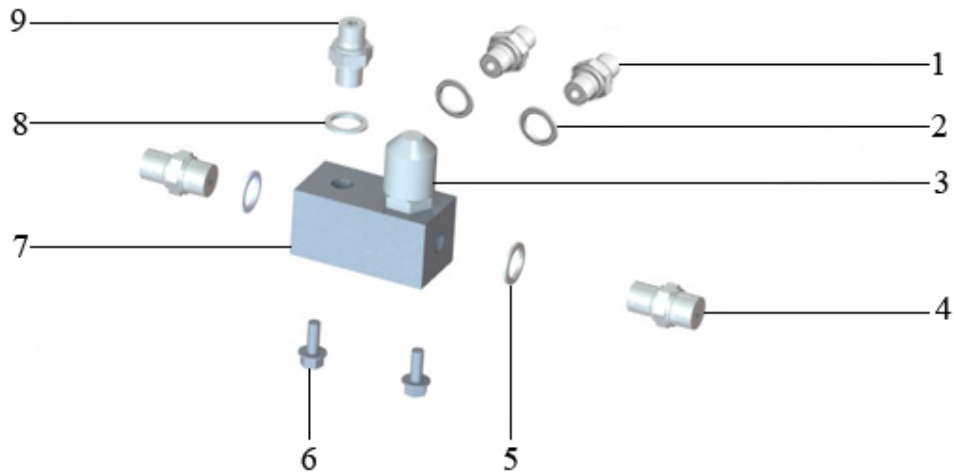
Pos	Part.No	Label	No
1	101004	COUPLING / R3/8UF-R3/8UF	1
2	101010	RUBBER/STEEL WASHER R3/8	1
3	1010035	PRESSURE LIMITING VALVE	1
4	100629	O-RING	1
5	1010036	HYDRAULIC BLOCK	1
6	101084	COUPLING / R3/8"UFxUFxUF"L"STB	1
7	1010032	VALVE	1
8	1010049	NUT+ O-RING	1
9	1010034	MAGNETIC COIL	1
10	1001123	BOLT / MC6S 6x60 8.8 Fzb	4
11	101027	MEASURING NIPPLE	1

10.8. CYLINDER, PARTS



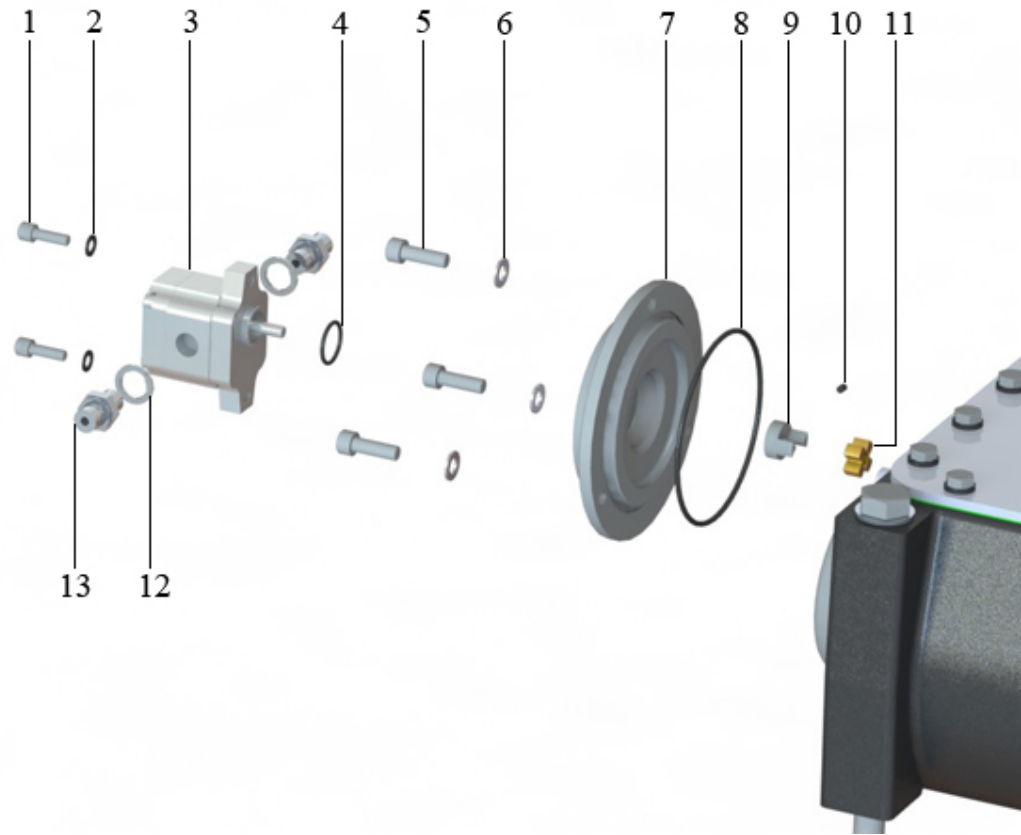
Pos	Part.No	Label	No
1	100602	O-RING / 99,5x3 NBR 70	1
2	301201	CYLINDER	1
3	100300	WASHER / BRB 6,4x12 HB200 fzb	4
4	100119	BOLT / MC6S 6x25 8.8 fzb	4
5	101010	RUBBER/STEEL WASHER R3/8	1
6	101004	COUPLING / R3/8UF-R3/8UF	1

10.9. DISTRIBUTOR BLOCK



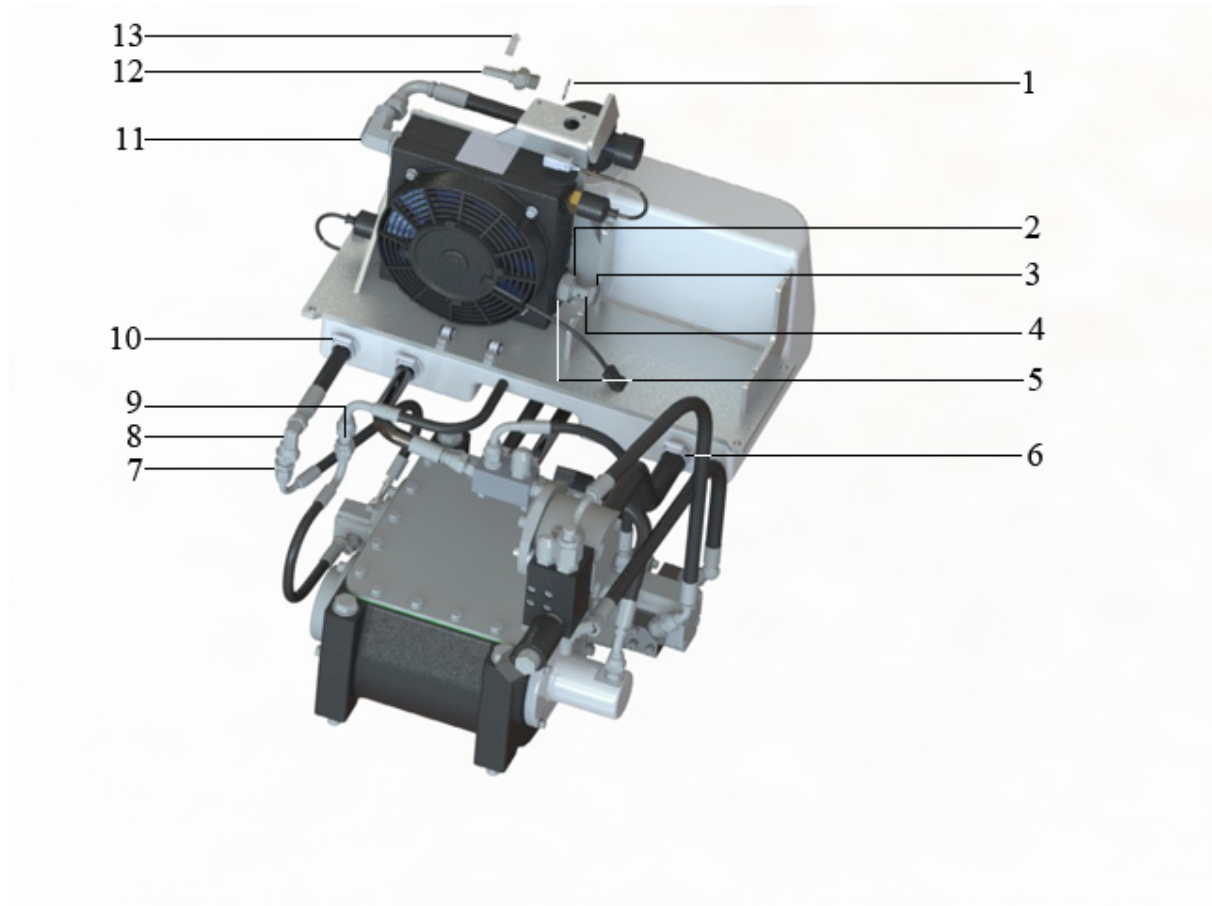
Pos	Part.No	Label	No
1	101007	COUPLING / R1/4UF-R1/4UF	2
2	101009	RUBBER/STEEL WASHER R1/4	2
3	101027	MEASURING NIPPLE	1
4	101008	COUPLING / R1/4UF-R3/8UF	2
5	101009	RUBBER/STEEL WASHER R1/4	2
6	1001126	BOLT / M6SZ 6x16 FZB	2
7	307086	DISTRIBUTOR BLOCK	1
8	101009	RUBBER/STEEL WASHER R1/4	1
9	101007	COUPLING / R1/4UF-R1/4UF	1

10.10. HYDRAULIC PUMP, PARTS



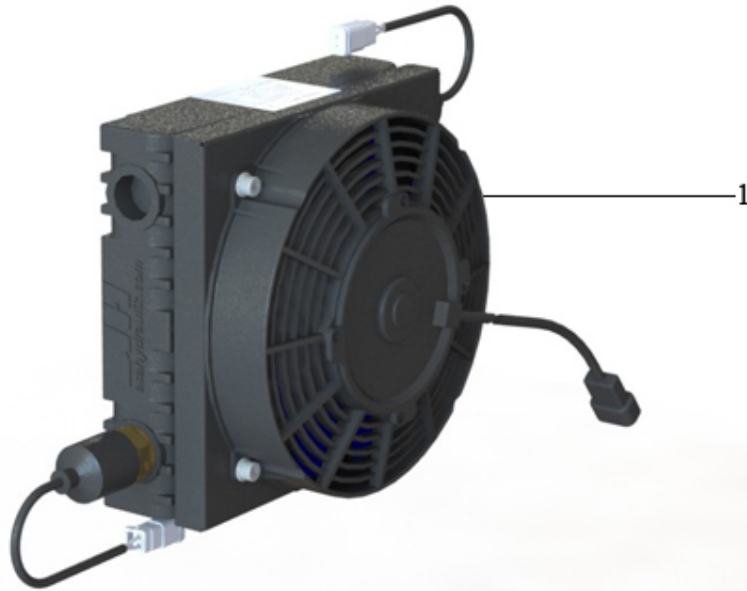
Pos	Part.No	Label	No
1	100149	BOLT / MC6S 6x20 8.8 fzb	2
2	100300	WASHER / BRB 6,4x12 HB200 fzb	2
3	101037	HYDRAULIC PUMP	1
4	100611	O-RING / 22,22x2,62 NBR 70	1
5	100117	BOLT / MC6S 8x25 8.8 fzb	3
6	100301	WASHER / BRB 8,4x16 HB200 fzb	3
7	307016	PUMP FLANGE	1
8	100602	O-RING / 99,5x3 NBR 70	1
9	201516	CLAW COUPLING	1
10	100146	BOLT / MS6SS 4x6 SS	1
11	100808	GEAR RIM	1
12	101092	RUBBER/STEEL WASHER M14	1
13	101091	COUPLING / R1/4 UF- M14x1,5UF	1

10.11. HYDRAULIC MOUNTING PARTS



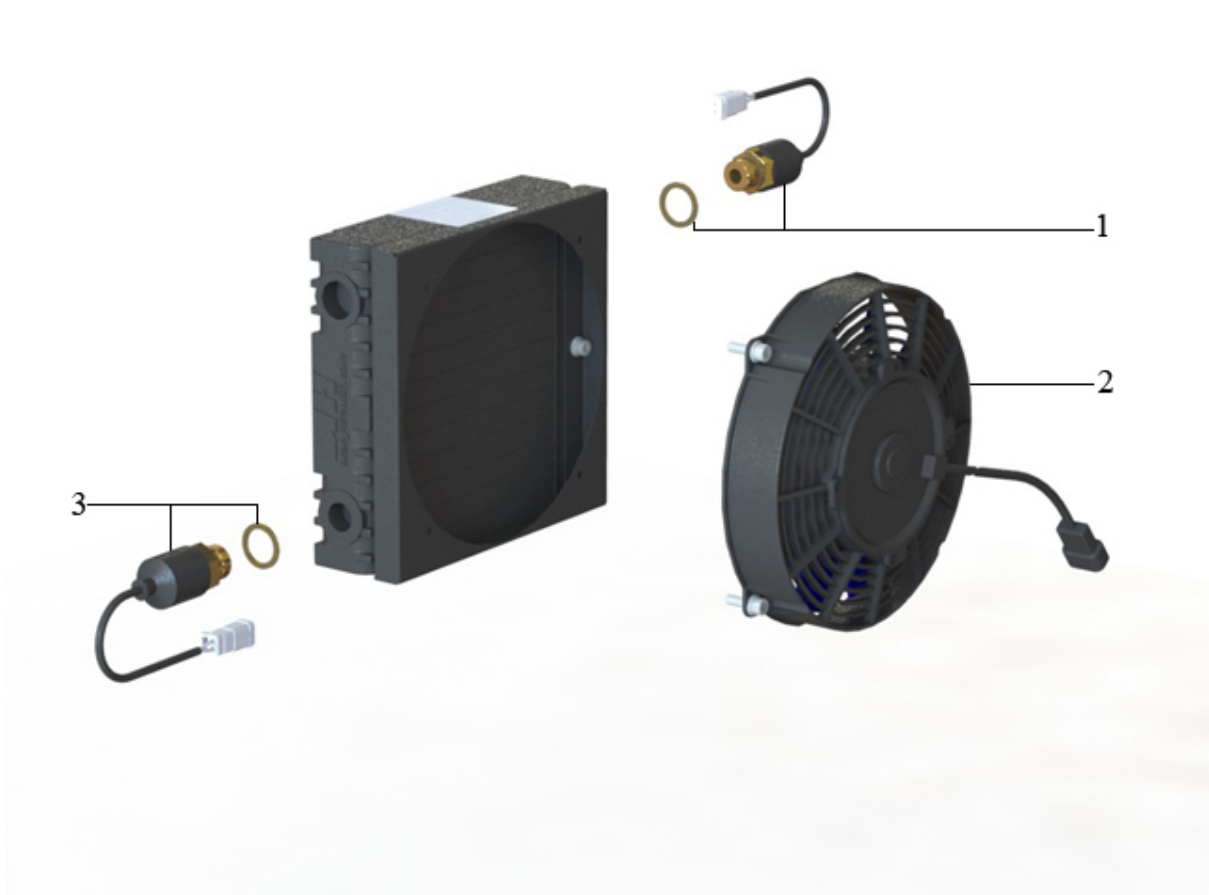
Pos	Part.No	Label	No
1	101060	RUBBER/STEEL WASHER R 1/2	1
2	1010010	ADAPTER G3/4"UF-ED X 3/8"IF	1
3	1010011	COUPLING	1
4	101010	RUBBER/STEEL WASHER R3/8	2
5	101040	RUBBER/STEEL WASHER R3/4	1
6	100415	HOSE CLIP/ 22-32 mm	1
7	1010008	COUPLING R3/8"UF-R3/8"UF	1
8	1010020	ADAPTER 3/8"UF-3/8" 90°	1
9	101003	COUPLING R1/4"UF-R1/4"UF	1
10	100473	SUPER HOSE CLAMP	2
11	1010021	ADAPTER 1/2"UF-3/4"UF STB 90°	1
12	1010022	ADAPTER 1/2"UF-1/2"	1
13	100473	SUPER HOSE CLAMP	1

10.12. HYDRAULIC COOLER



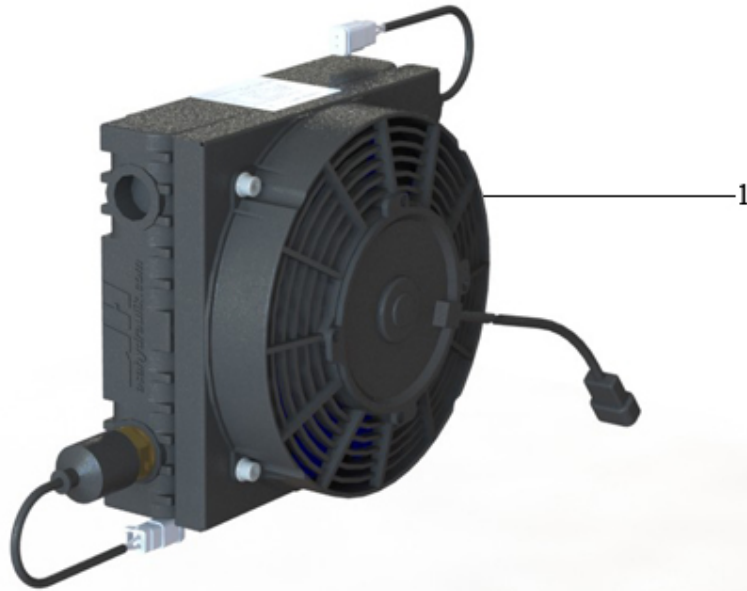
Pos	Label
1	Hydraulic cooler, parts
1	Hydraulic cooler cpl.

10.12.1. HYDRAULIC COOLER, PARTS



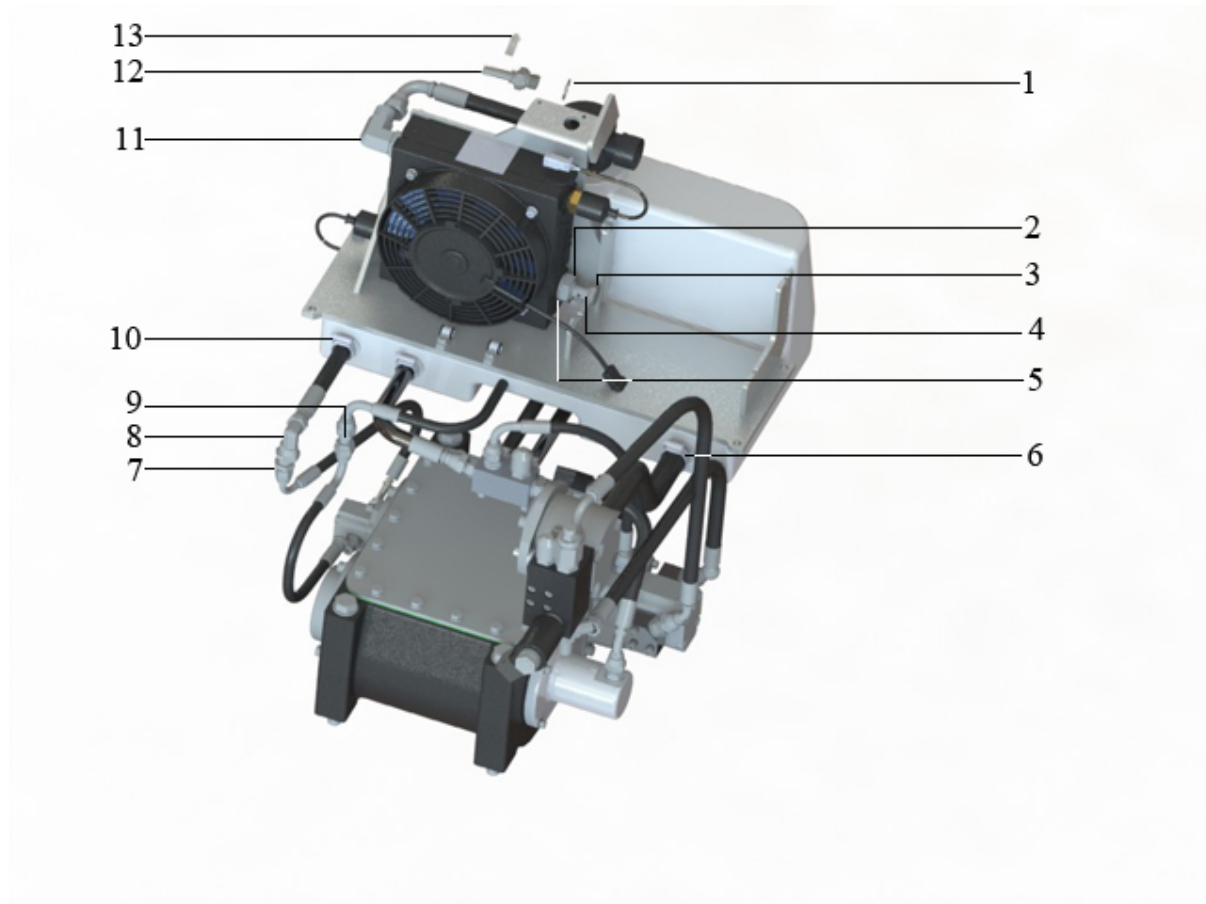
Pos	Part.No	Label	No
1	1010024	TEMPERATUR SWITCH	1
2	1010023	FAN KIT	1
3	1010025	TEMPERATUR SWITCH	1

10.12.1. HYDRAULIC COOLER CPL.



Pos	Part.No	Label	No
1	1010009	HYDRAULIC COOLER CPL.	1

10.13. HYDRAULIC MOUNTING PARTS



Pos	Part.No	Label	No
1	101060	RUBBER/STEEL WASHER R 1/2	1
2	1010010	ADAPTER G3/4"UF-ED X 3/8"IF	1
3	1010011	COUPLING	1
4	101010	RUBBER/STEEL WASHER R3/8	2
5	101040	RUBBER/STEEL WASHER R3/4	1
6	100415	HOSE CLIP/ 22-32 mm	1
7	1010008	COUPLING R3/8"UF-R3/8"UF	1
8	1010020	ADAPTER 3/8"UF-3/8" 90°	1
9	101003	COUPLING R1/4"UF-R1/4"UF	1
10	100473	SUPER HOSE CLAMP	2
11	1010021	ADAPTER 1/2"UF-3/4"UF STB 90°	1
12	1010022	ADAPTER 1/2"UF-1/2"	1
13	100473	SUPER HOSE CLAMP	1

11. SERVICE KIT

Pos	Part.No	Label	No
1	102127	SERVICEKIT FB510	1
	-	Including parts:	
0	102035	AIR FILTER	1
0	102043	OIL FILTER	1
0	101758	FUEL FILTER	1
	-		

