

# Reversible vibratory plates **FB265** Spare Parts List





**TABLE OF CONTENT**

1. Decal ..... 5

2. Electric system ..... 6

    2.1. Battery, parts ..... 7

    2.2. Electric components ..... 8

3. Engine ..... 9

    3.1. Engine, parts ..... 10

    3.1. Engine cpl. .... 11

    3.2. Engine mountings part ..... 12

    3.3. Engine mountings part ..... 13

    3.4. Centrifugal clutch, parts ..... 14

    3.4. Centrifugal clutch cpl. .... 15

    3.5. Engine mountings part ..... 16

    3.6. Engine mountings part ..... 17

    3.7. Engine mountings part ..... 18

    3.8. Oil drain hose, parts ..... 19

    3.9. Hand start ..... 20

    3.10. Engine mountings part ..... 21

4. Hydraulic system ..... 22

    4.1. Hydraulic, handle ..... 23

    4.1. Hydraulic mounting, parts ..... 24

    4.2. Hydraulic, hoses ..... 25

    4.3. Cylinder, parts ..... 26

    4.4. Hydraulic pump, parts ..... 27

5. Hydraulic handle ..... 28

6. Throttle, parts ..... 29

7. Protective frame, parts ..... 30

8. Protective frame ..... 31

9. Handle ..... 32

    9.1. Handle, parts ..... 33

    9.2. Hook, parts ..... 34

    9.3. Handle attachment, parts ..... 35

10. Chassi ..... 36

    10.1. Handle joints, parts ..... 37

    10.2. Battery box, parts ..... 38

    10.3. Belt tensioner ..... 39

        10.3.1. Belt tensioner, cpl ..... 40

        10.3.1. Belt tensioner, parts ..... 41

    10.4. Chassi, parts ..... 42

11. Vibrations unit ..... 44

    11.1. Coupling shaft ..... 45

    11.2. Shaft with cog wheel, parts ..... 46

    11.3. V-belt ..... 48

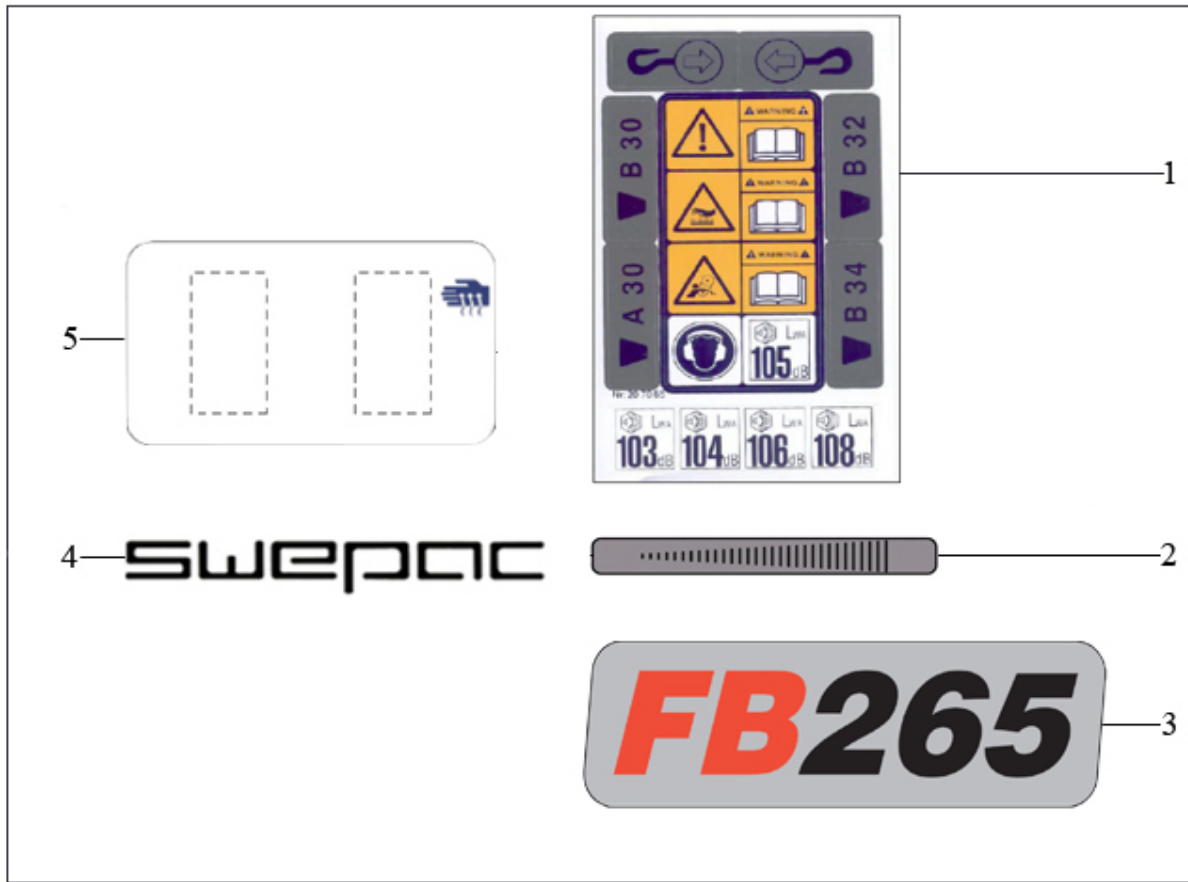
    11.4. Housing, parts ..... 49

12. Base plate cpl. .... 50

13. Vulkollan plate (Accessories) ..... 51

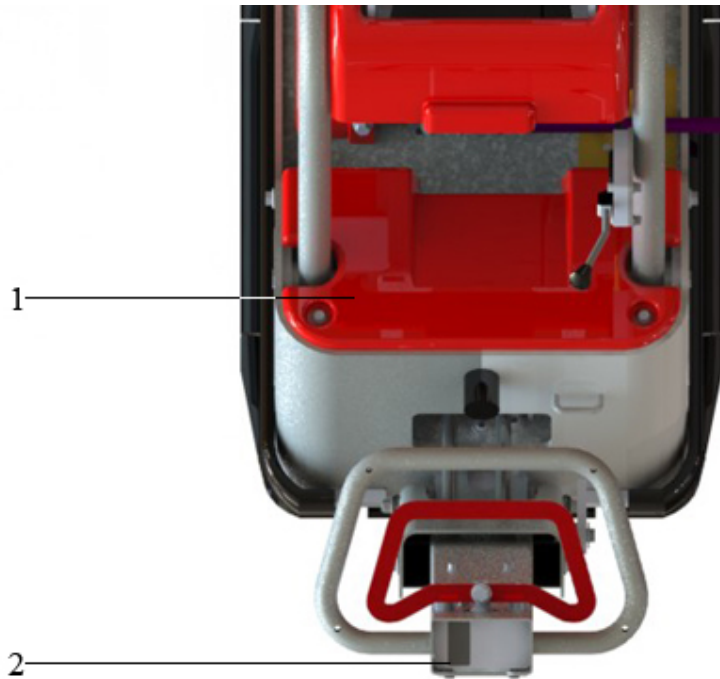
13.1. Vulkollan plate, parts .....	52
13.1. Vulkollan plate complete .....	53
14. Service kit .....	54

1. DECAL



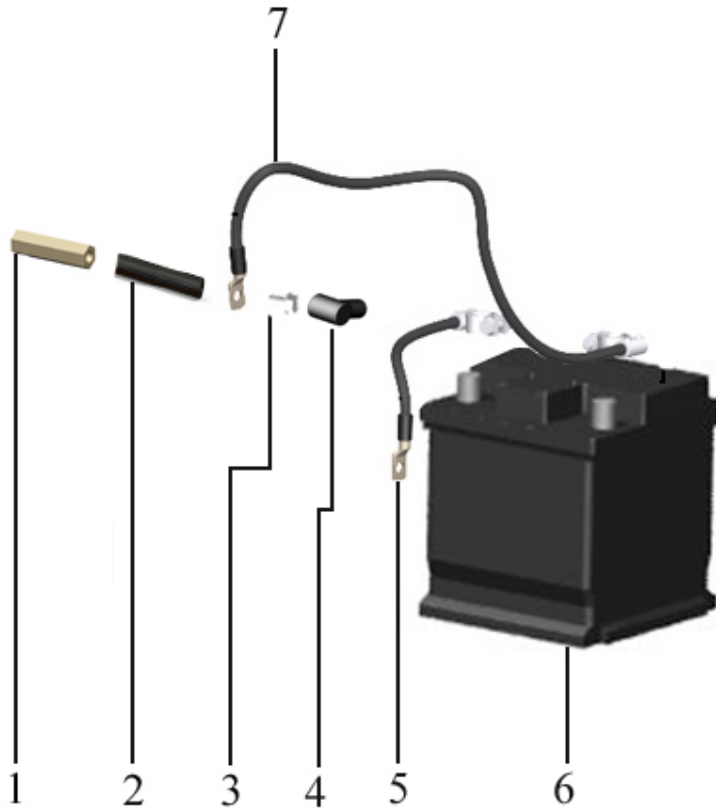
Pos	Part.No	Label	No
1	207065	DECAL	1
2	307092	DECAL ENGINE SPEED CONTROL	1
3	304065	DECAL FB265	2
4	305032	DECAL	1
5	301164	DECAL HANDLE	1

2. ELECTRIC SYSTEM



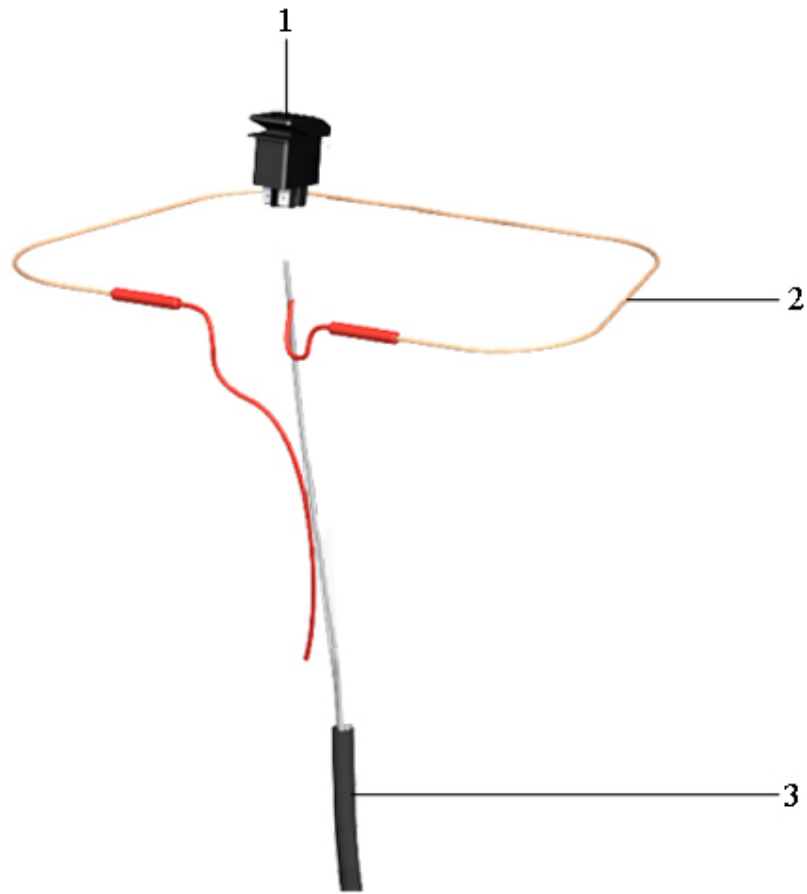
Pos	Label
1	Battery, parts
2	Electric components

2.1. BATTERY, PARTS



Pos	Part.No	Label	No
1	100227	DISTANCE NUT	1
2	303160	TUBE	1
3	1001124	SCREW / M6SF 8x12 8.8 FZB	1
4	100913	RUBBER HAT	1
5	303126	BATTERY CABLE -	1
6	100977	BATTERY	1
7	303125	BATTERY CABLE +	1

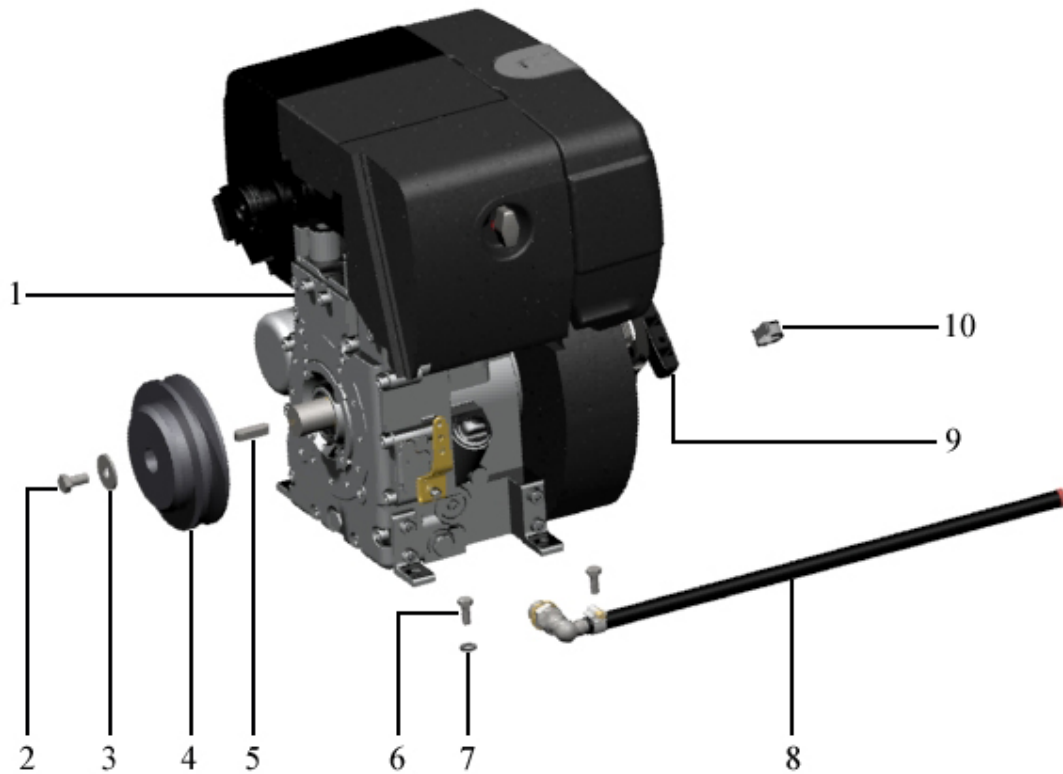
2.2. ELECTRIC COMPONENTS



Pos	Part.No	Label	No
1	100909	CIRCUIT BREAKER HANDLE HEATING	1
2	301170	HANDLE HEATER	1
3	303155	WIRING HARNESS	1

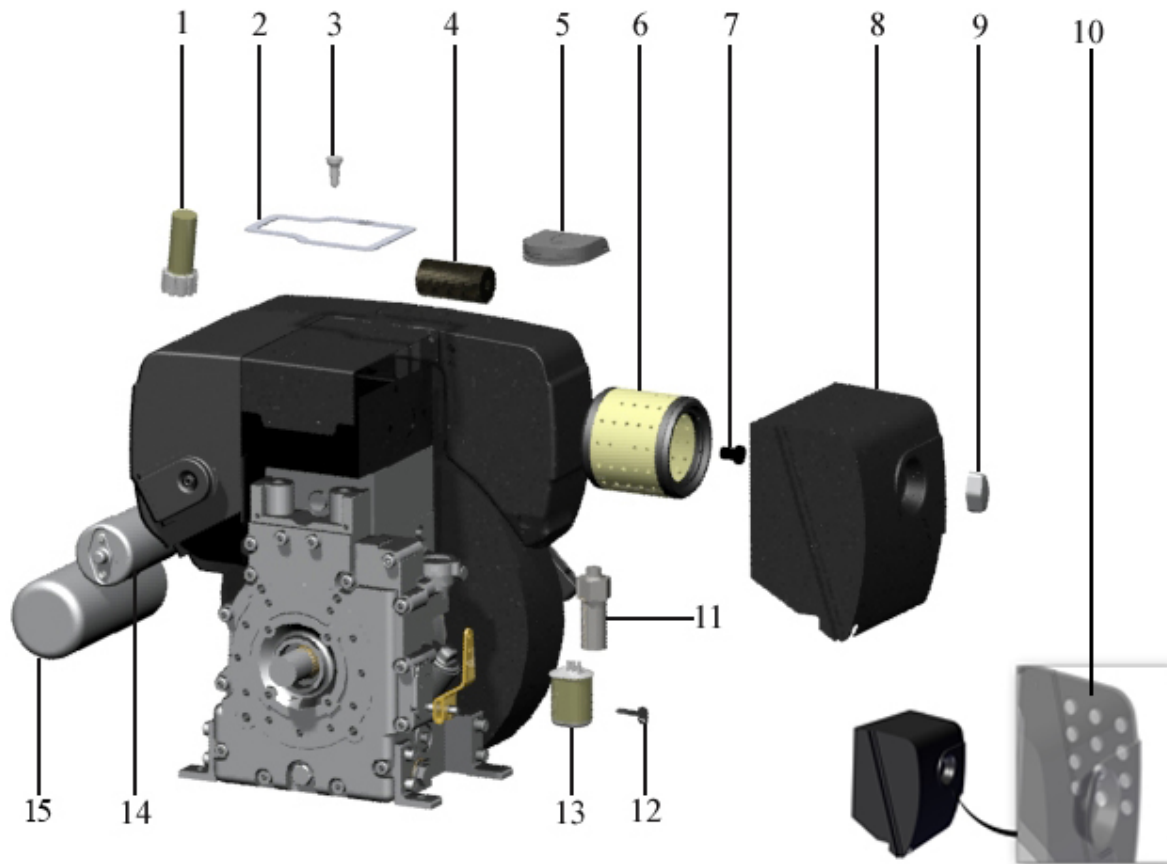


3. ENGINE



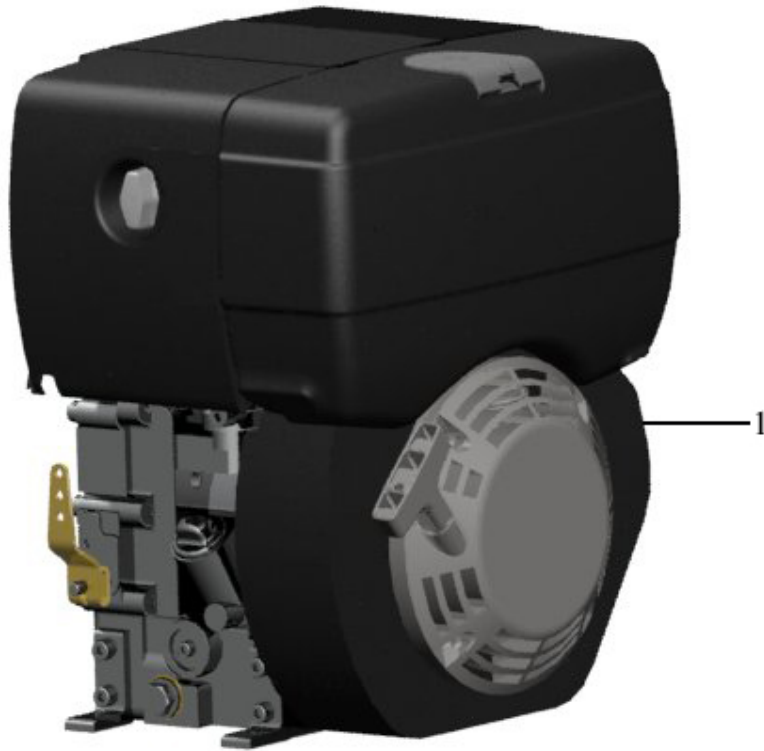
Pos	Label
1	Engine, parts
1	Engine cpl.
2	Engine mountings part
3	Engine mountings part
4	Centrifugal clutch, parts
4	Centrifugal clutch cpl.
5	Engine mountings part
6	Engine mountings part
7	Engine mountings part
8	Oil drain hose, parts
9	Hand start
10	Engine mountings part

3.1. ENGINE, PARTS



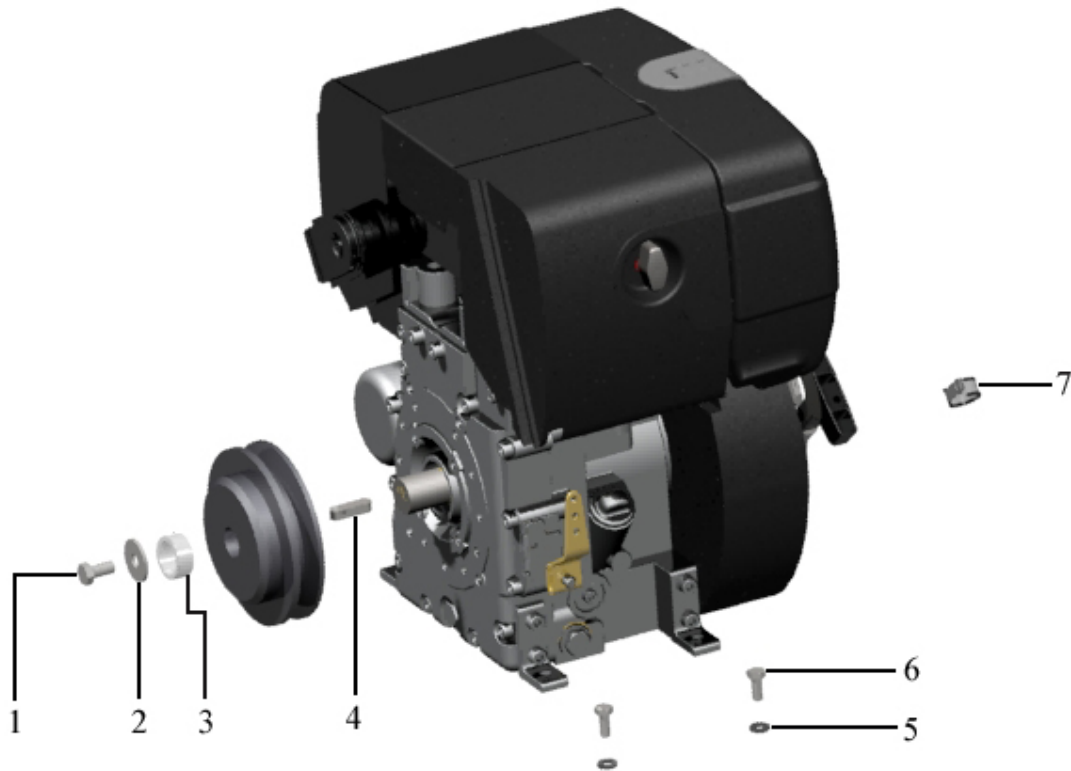
Pos	Part.No	Label	No
1	101983	WATER DISTILL	1
2	101807	VALVE HOUSING SEAL	1
3	101971	NOZZLE	1
4	101975	FUEL FILTER	1
5	101974	CAP-FUEL TANK	1
6	101804	AIR FILTER	1
7	101976	NUT AIR FILTER	1
8	101977	LOCK AIR FILTER	1
9	101978	NUT LOCK AIR FILTER	1
10	1018136	LOCK AIR FILTER	1
11	101982	PUMP ELEMENT PART	1
12	101979	START KEY, EARLIER	1
13	101980	EXTERNALLY FUEL FILTER	1
14	101981	CHARGE REGULATOR	1
15	101973	STARTER	1

3.1. ENGINE CPL.



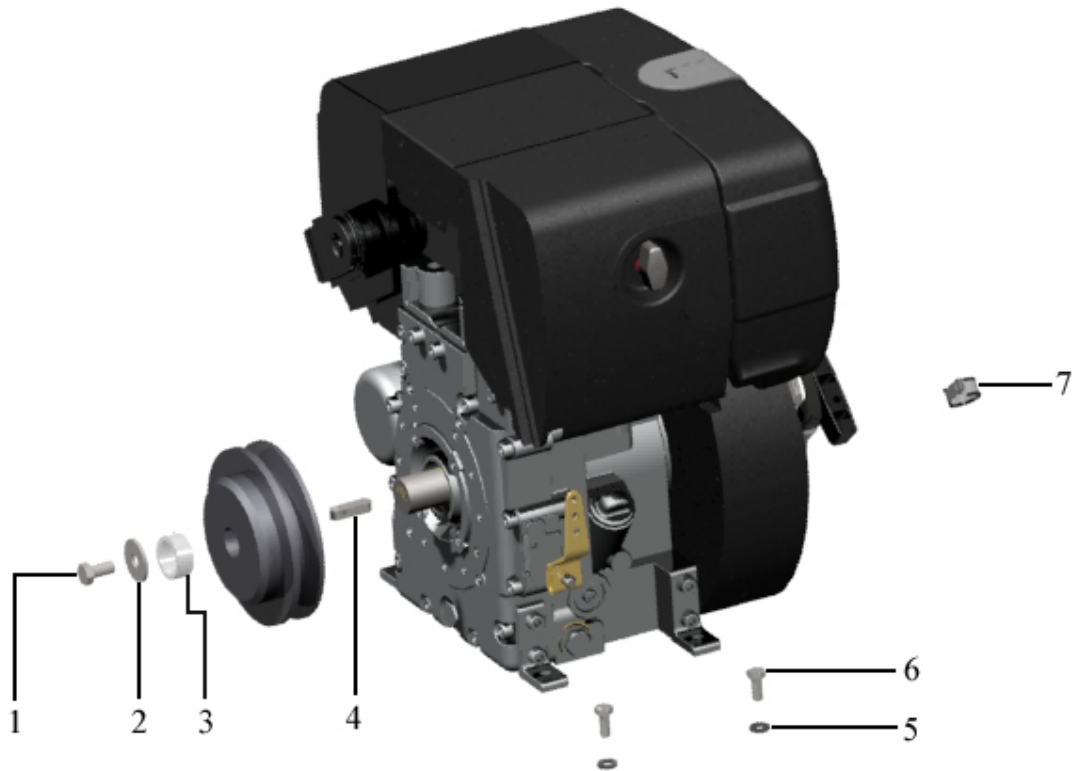
Pos	Part.No	Label	No
1	101862	ENGINE HATZ 1B30	1

3.2. ENGINE MOUNTINGS PART



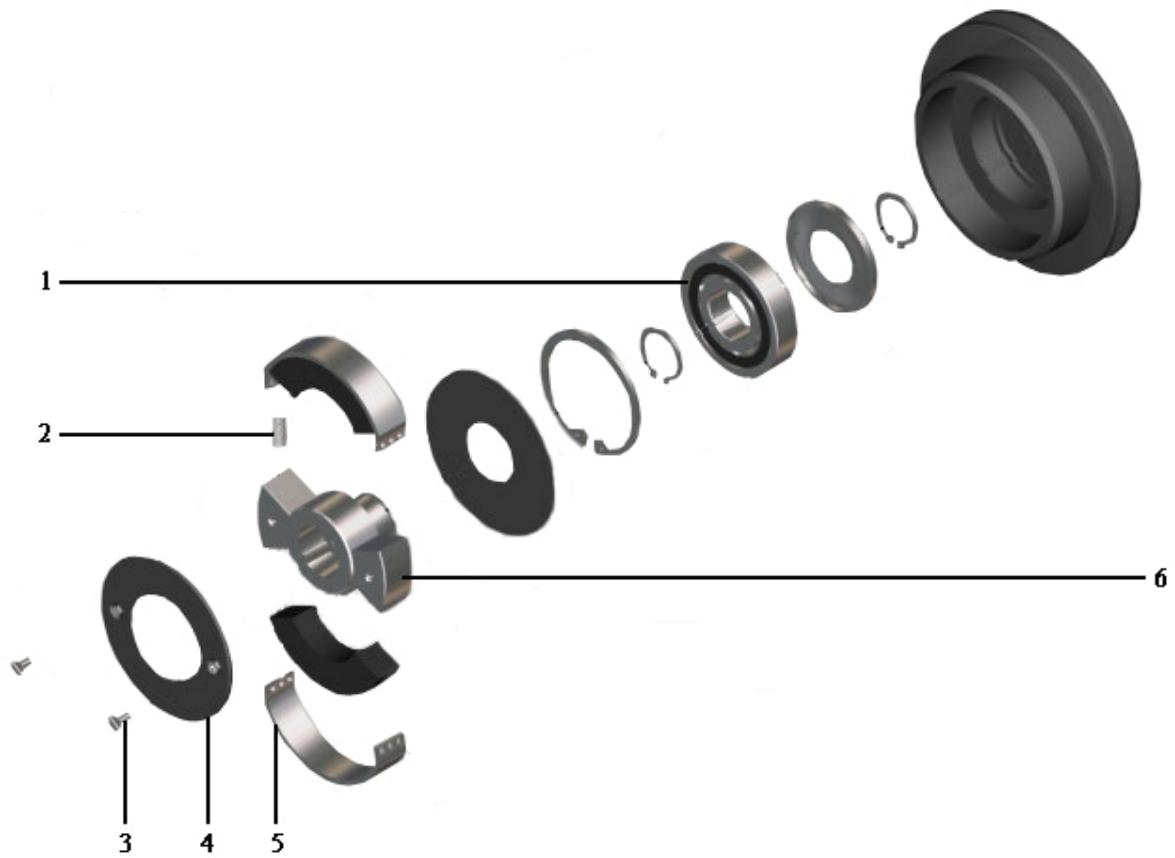
Pos	Part.No	Label	No
1	100164	BOLT / M6S 10x20 8.8 fzb	1
2	100318	WASHER / SRKB 11x35x3 HB200 fzb	1
3	202231	DISTANCE SLEEVE	1
4	101866	KEY	1
5	100326	WASHER / HS 8	4
6	100100	BOLT / M6S 8x20 8.8 fzb	4
7	100439	RUBBER-COVERED CLIP / 22 mm	1

3.3. ENGINE MOUNTINGS PART



Pos	Part.No	Label	No
1	100164	BOLT / M6S 10x20 8.8 fzb	1
2	100318	WASHER / SRKB 11x35x3 HB200 fzb	1
3	202231	DISTANCE SLEEVE	1
4	101866	KEY	1
5	100326	WASHER / HS 8	4
6	100100	BOLT / M6S 8x20 8.8 fzb	4
7	100439	RUBBER-COVERED CLIP / 22 mm	1

3.4. CENTRIFUGAL CLUTCH, PARTS



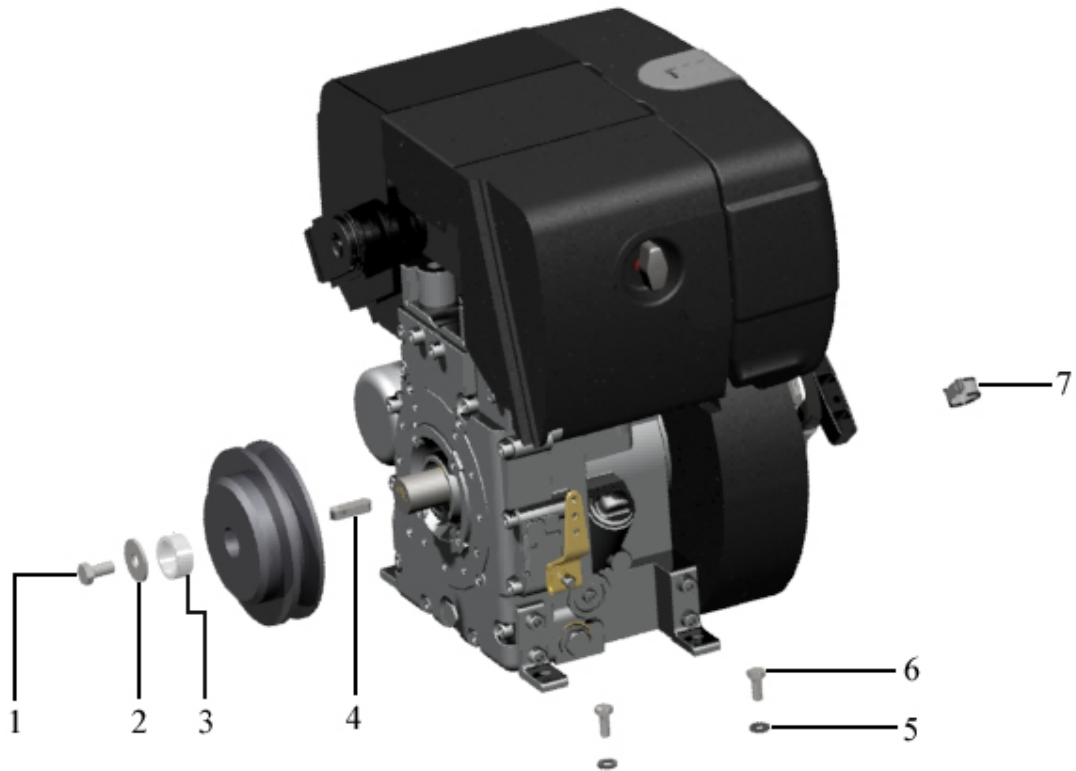
Pos	Part.No	Label	No
1	100820	BALL BEARING 6008.2Z	1
2	100836	SPRING	4
3	100120	BOLT / MF6S 4x12 10.9	2
4	100817	END CAP	1
5	100811	CLUTCH LINING	2
6	100824	HUB	1

3.4. CENTRIFUGAL CLUTCH CPL.



Pos	Part.No	Label	No
1	100844	CLUTCH	1

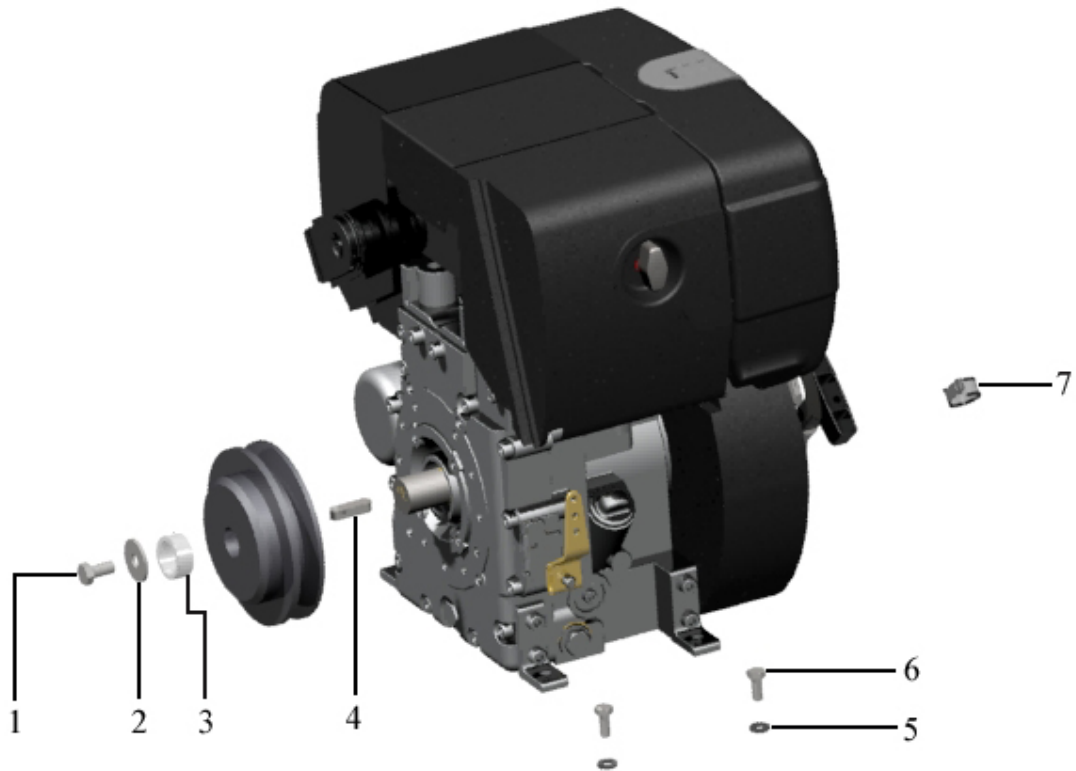
3.5. ENGINE MOUNTINGS PART



Pos	Part.No	Label	No
1	100164	BOLT / M6S 10x20 8.8 fzb	1
2	100318	WASHER / SRKB 11x35x3 HB200 fzb	1
3	202231	DISTANCE SLEEVE	1
4	101866	KEY	1
5	100326	WASHER / HS 8	4
6	100100	BOLT / M6S 8x20 8.8 fzb	4
7	100439	RUBBER-COVERED CLIP / 22 mm	1

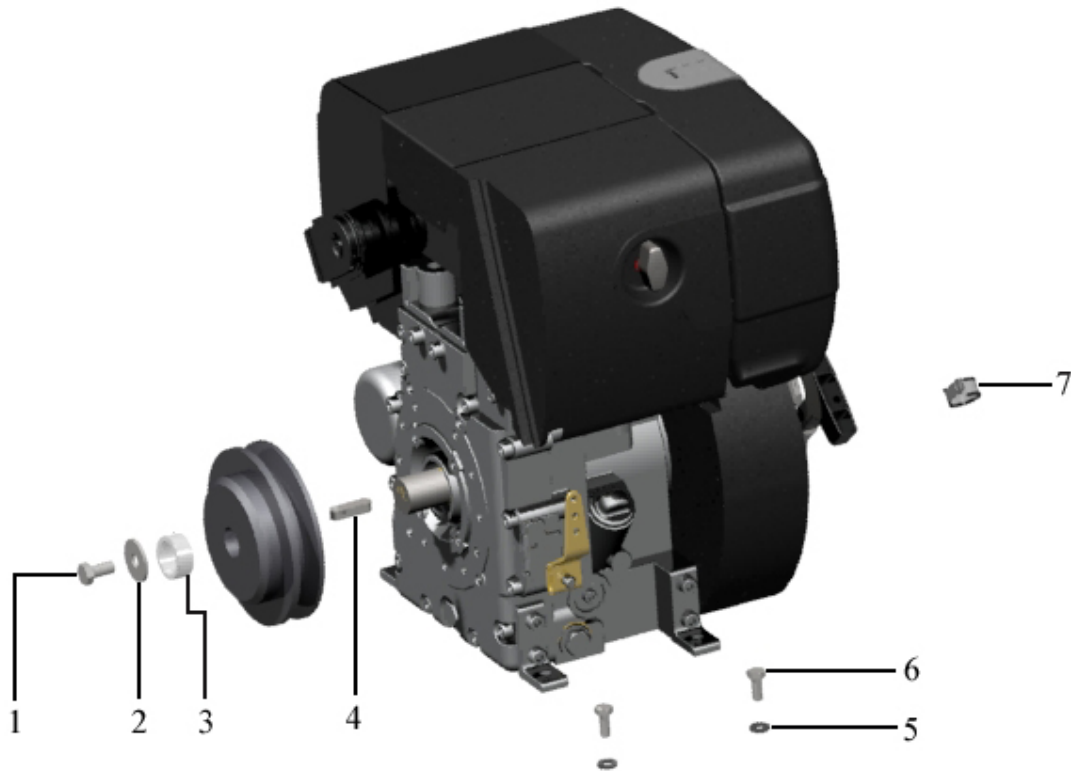


3.6. ENGINE MOUNTINGS PART



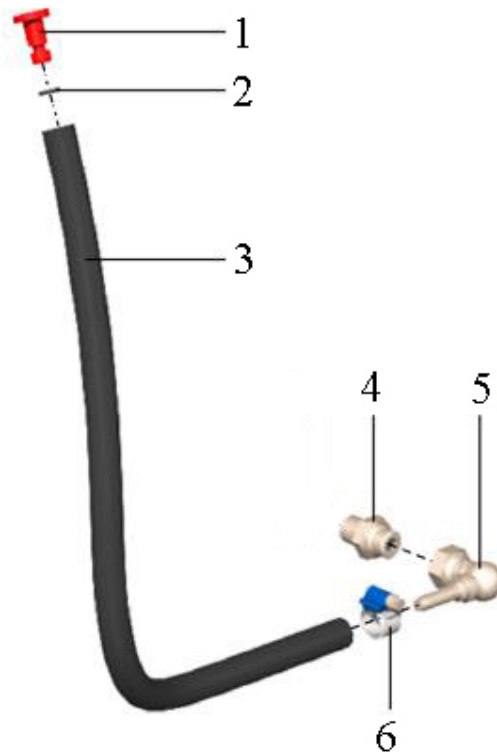
Pos	Part.No	Label	No
1	100164	BOLT / M6S 10x20 8.8 fzb	1
2	100318	WASHER / SRKB 11x35x3 HB200 fzb	1
3	202231	DISTANCE SLEEVE	1
4	101866	KEY	1
5	100326	WASHER / HS 8	4
6	100100	BOLT / M6S 8x20 8.8 fzb	4
7	100439	RUBBER-COVERED CLIP / 22 mm	1

3.7. ENGINE MOUNTINGS PART



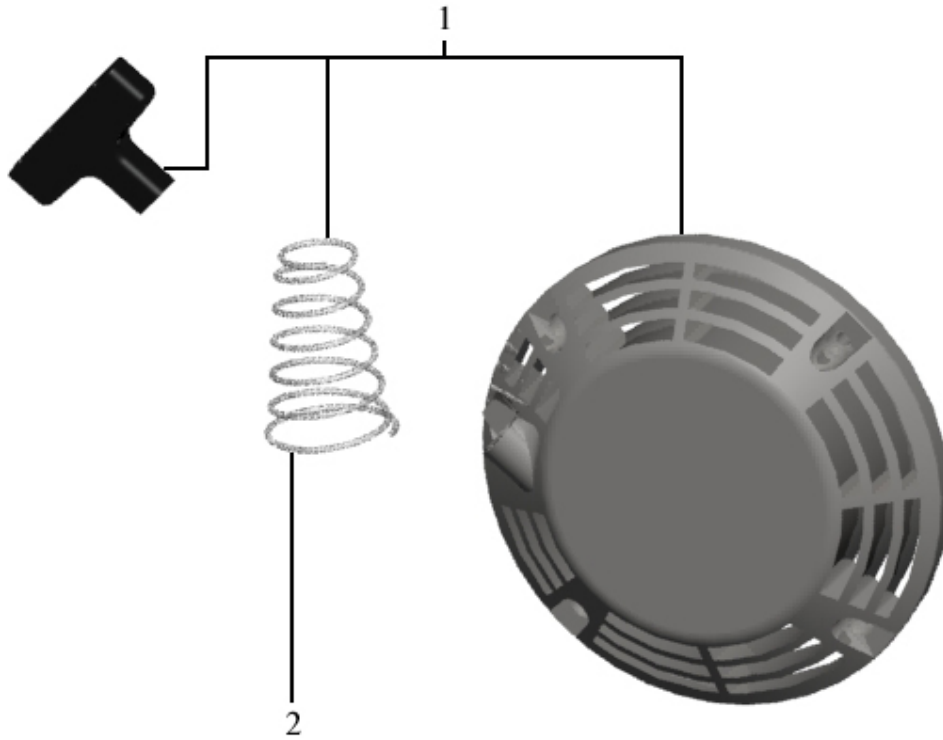
Pos	Part.No	Label	No
1	100164	BOLT / M6S 10x20 8.8 fzb	1
2	100318	WASHER / SRKB 11x35x3 HB200 fzb	1
3	202231	DISTANCE SLEEVE	1
4	101866	KEY	1
5	100326	WASHER / HS 8	4
6	100100	BOLT / M6S 8x20 8.8 fzb	4
7	100439	RUBBER-COVERED CLIP / 22 mm	1

3.8. OIL DRAIN HOSE, PARTS



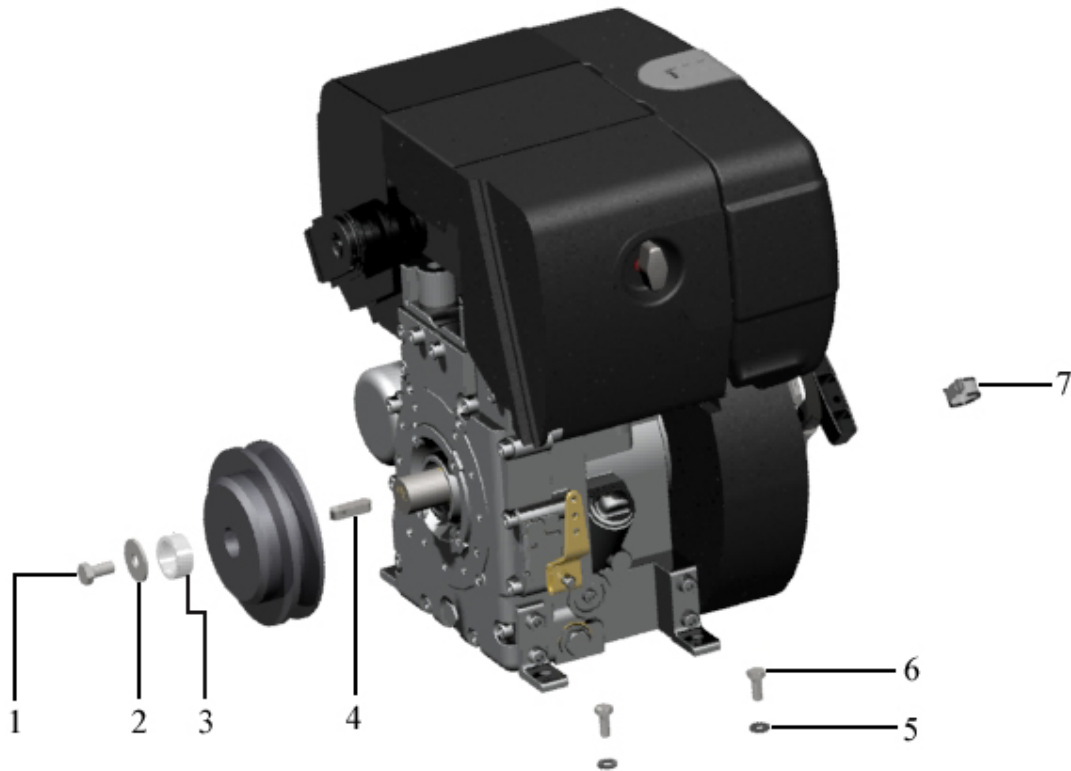
Pos	Part.No	Label	No
1	202066	PLUG	1
2	100609	O-RING / 6,3x2,4 NBR 70	1
3	101310	BLEEDER PIPE	1
4	101057	COUPLING / R1/2UF-M22UF	1
5	101059	PIPE CONNECTOR / 1/2 90T-3/8	1
6	100414	HOSE CLIP	1

3.9. HAND START



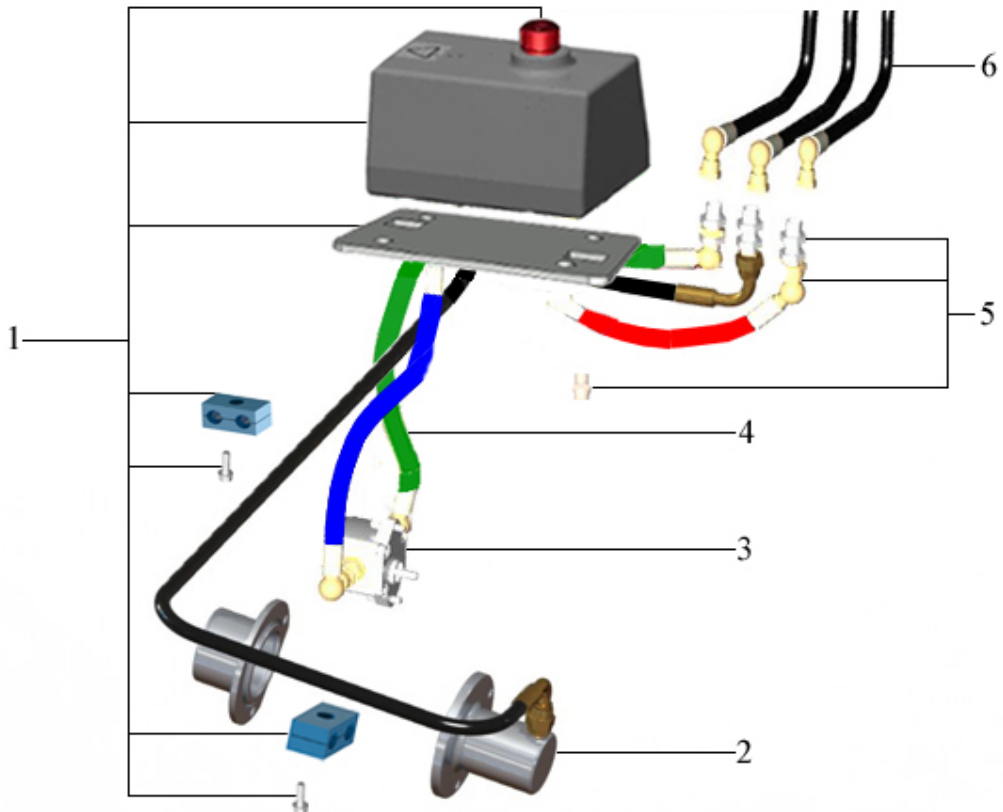
Pos	Part.No	Label	No
1	101984	HAND START	1
2	101985	ROPE, RECOIL STARTER	1

3.10. ENGINE MOUNTINGS PART



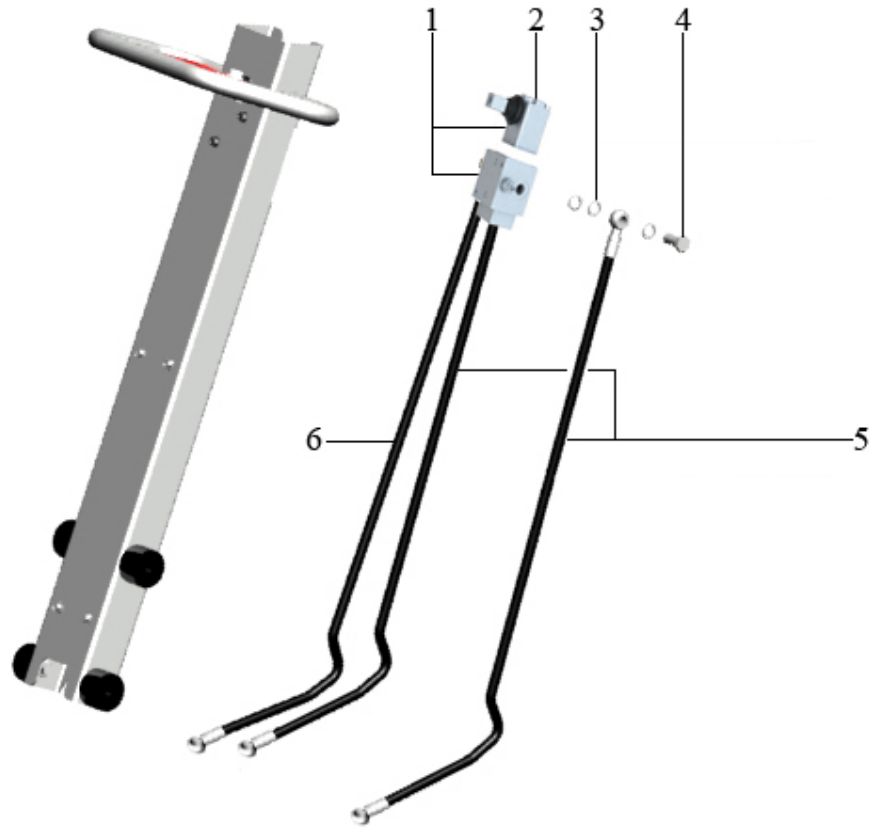
Pos	Part.No	Label	No
1	100164	BOLT / M6S 10x20 8.8 fzb	1
2	100318	WASHER / SRKB 11x35x3 HB200 fzb	1
3	202231	DISTANCE SLEEVE	1
4	101866	KEY	1
5	100326	WASHER / HS 8	4
6	100100	BOLT / M6S 8x20 8.8 fzb	4
7	100439	RUBBER-COVERED CLIP / 22 mm	1

4. HYDRAULIC SYSTEM



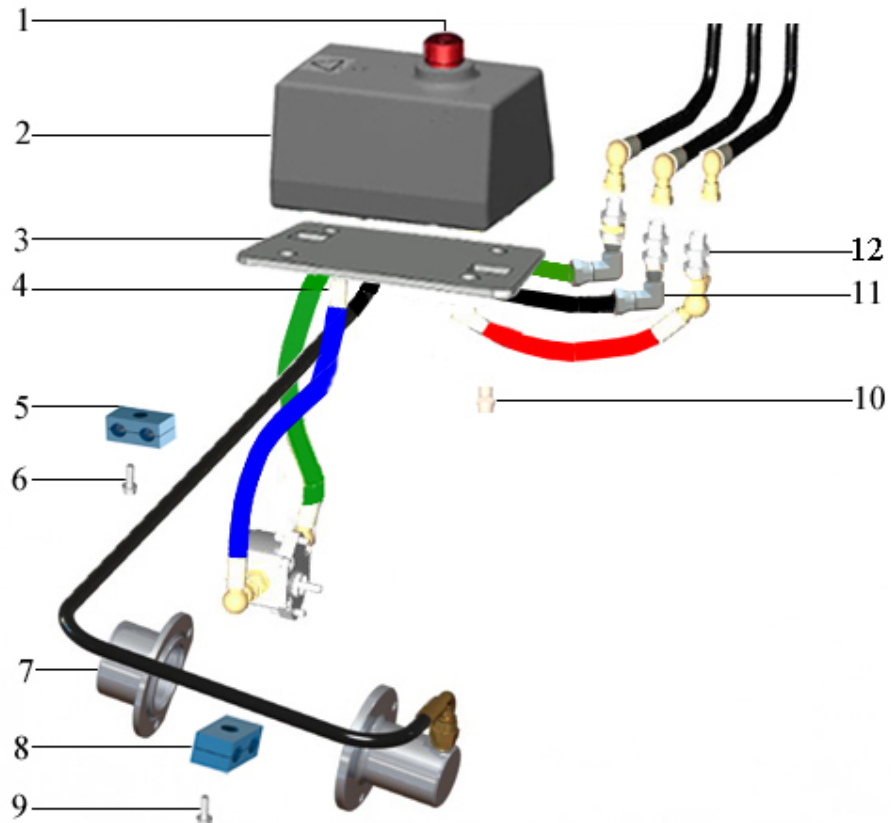
Pos	Label
1	Hydraulic, handle
1	Hydraulic mounting, parts
2	Hydraulic, hoses
3	Cylinder, parts
4	Hydraulic pump, parts

4.1. HYDRAULIC, HANDLE



Pos	Part.No	Label	No
1	1010006	VALVE	1
2	1010026	A ACTUATOR HOUSING, TYPE ATLANTIC FLUID	1
3	101009	RUBBER/STEEL WASHER R1/4	8
4	101067	COUPLING	3
5	303262	HYDRAULIC HOSE	2
6	303102	HYDRAULIC HOSE	1

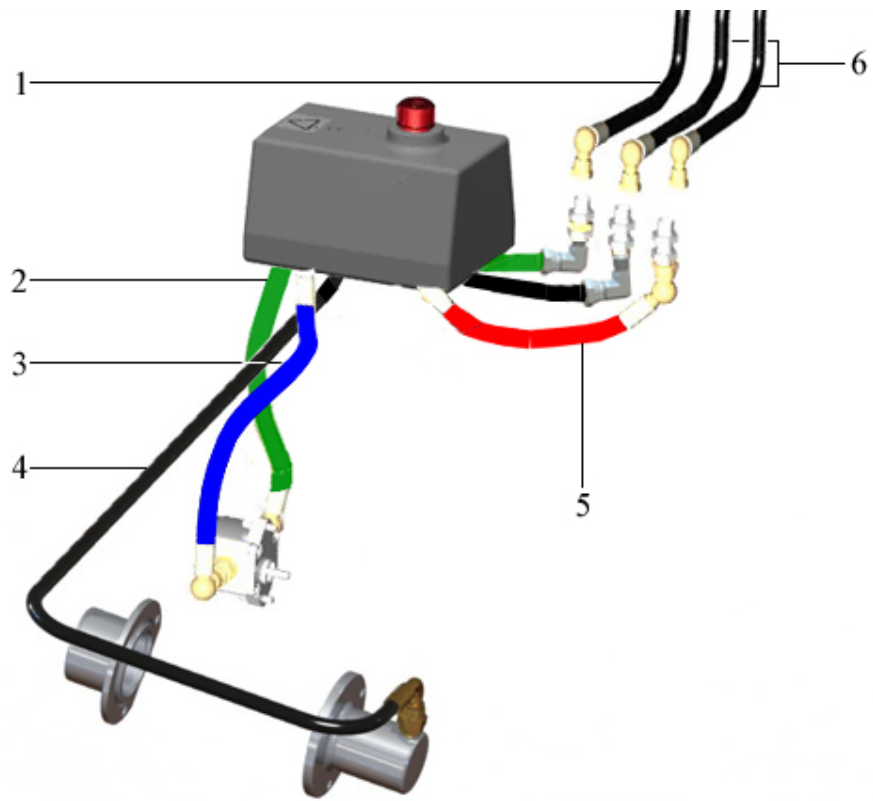
4.1. HYDRAULIC MOUNTING, PARTS



Pos	Part.No	Label	No
1	1001444	BREATHER CAP	1
2	303025	HYDRAULIC OIL TANK	1
3	303267	PLATE	1
4	1010042	ADAPTER	1
5	1010040	DOUBLE CLAMP	1
7	303052	BEARING CAP	1
8	1010040	DOUBLE CLAMP	1
9	1001129	BOLT / M6SZ 8x25 FZB	4
10	101007	COUPLING / R1/4UF-R1/4UF	2
11	1010042	ADAPTER	2
12	101003	COUPLING R1/4"UF-R1/4"UF	3

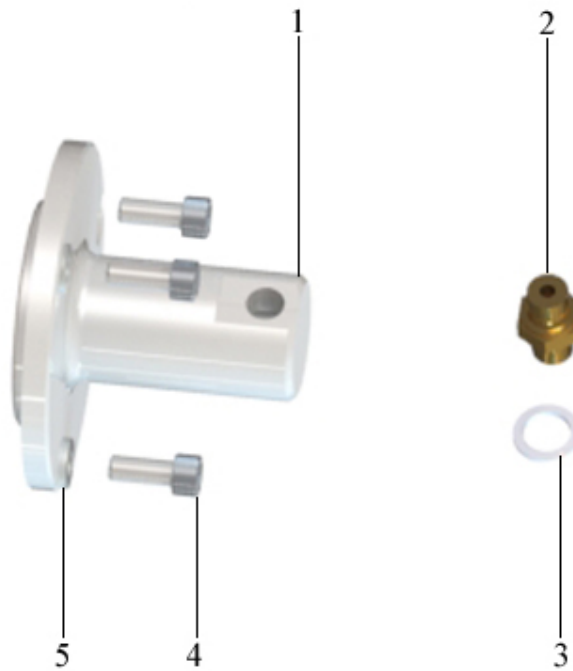


4.2. HYDRAULIC, HOSES



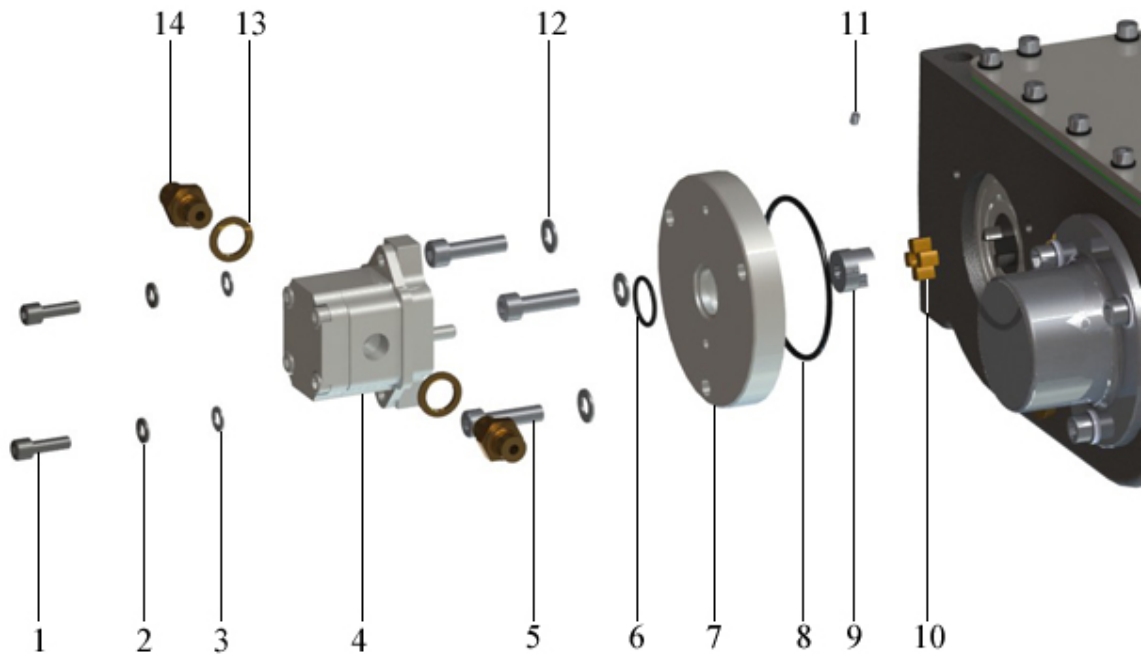
Pos	Part.No	Label	No
1	303102	HYDRAULIC HOSE	1
2	304502	HYDRAULIC HOSE	1
3	304503	HYDRAULIC HOSE	1
4	304501	HYDRAULIC HOSE	1
5	303099	HYDRAULIC HOSE	1
6	303262	HYDRAULIC HOSE	2

4.3. CYLINDER, PARTS



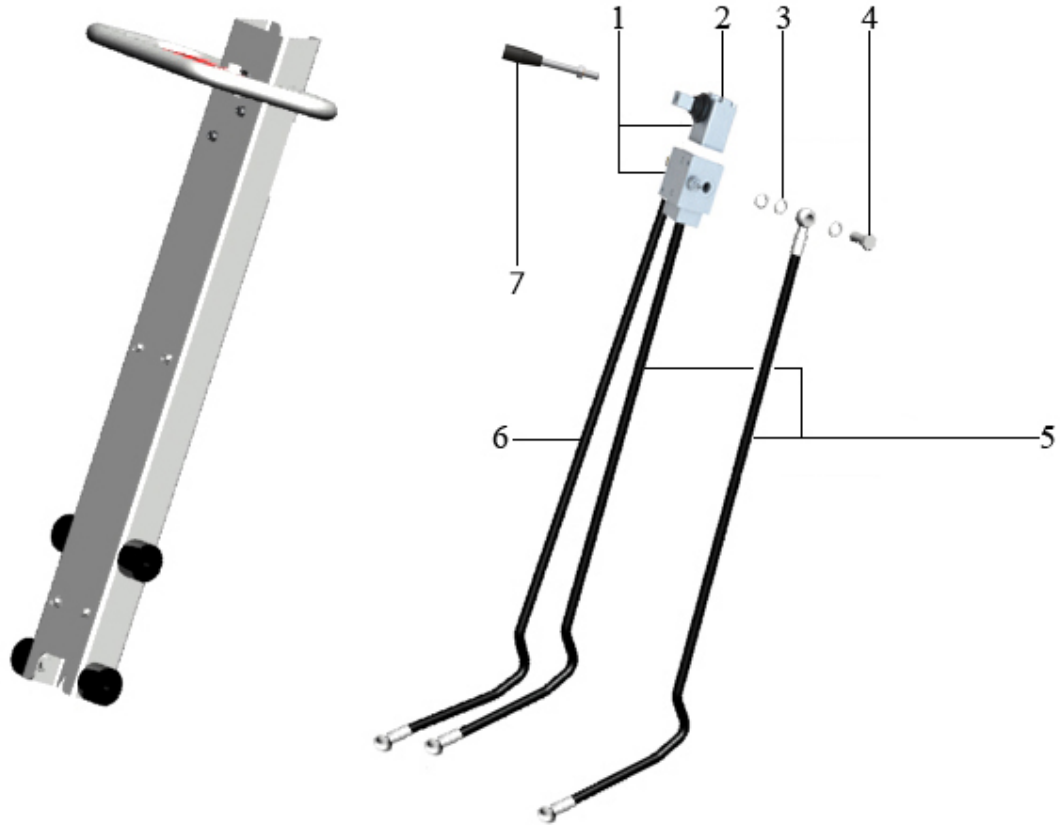
Pos	Part.No	Label	No
1	303060	CYLINDER	1
2	101007	COUPLING / R1/4UF-R1/4UF	1
3	101009	RUBBER/STEEL WASHER R1/4	1
4	100114	BOLT / MC6S 8x20 8.8 fzb	3
5	100301	WASHER / BRB 8,4x16 HB200 fzb	3

4.4. HYDRAULIC PUMP, PARTS



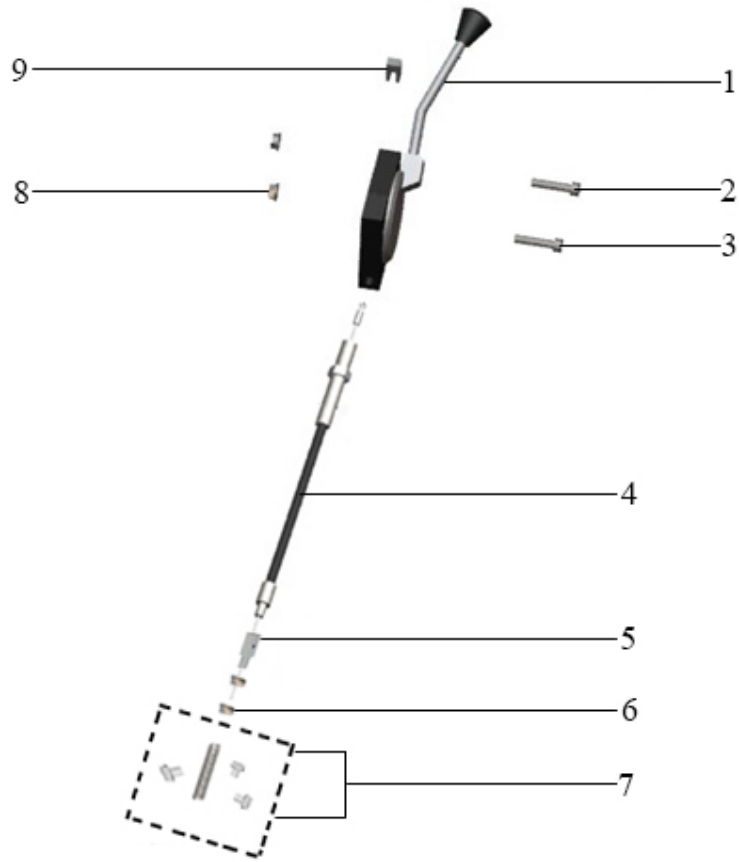
Pos	Part.No	Label	No
1	100149	BOLT / MC6S 6x20 8.8 fzb	2
2	100325	WASHER / HS 6	2
3	100300	WASHER / BRB 6,4x12 HB200 fzb	2
4	101037	HYDRAULIC PUMP	1
5	100117	BOLT / MC6S 8x25 8.8 fzb	3
6	100611	O-RING / 22,22x2,62 NBR 70	1
7	303053	PUMP FLANGE	1
8	100600	O-RING / 89,5x3 NBR 70	1
9	201516	CLAW COUPLING	1
10	100808	GEAR RIM	1
11	100146	BOLT / MS6SS 4x6 SS	1
12	100301	WASHER / BRB 8,4x16 HB200 fzb	3
13	101092	RUBBER/STEEL WASHER M14	2
14	101091	COUPLING / R1/4 UF- M14x1,5UF	2

5. HYDRAULIC HANDLE



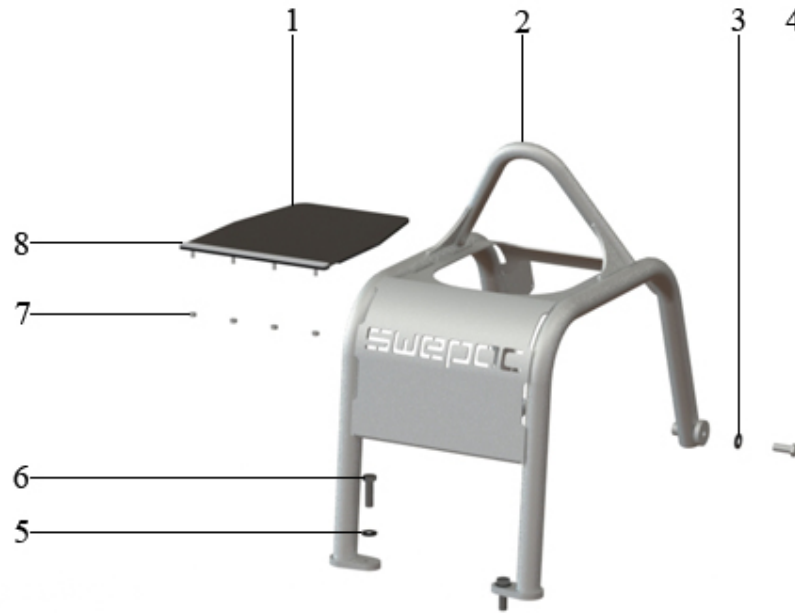
Pos	Part.No	Label	No
1	101099	B VALVE, TYPE CBF BM024004	1
1	1010005	A VALVE, TYPE ATLANTIC FLUID Type Atlantic fluid EXPIRED	1
2	1010001	B ACTUATOR HOUSING, TYPE CBF	1
2	1010026	A ACTUATOR HOUSING, TYPE ATLANTIC FLUID	1
3	101009	RUBBER/STEEL WASHER R1/4	8
4	101067	COUPLING	1
5	303262	HYDRAULIC HOSE	2
6	303102	HYDRAULIC HOSE	1
7	1010060	LEVER CBF	1

6. THROTTLE, PARTS



Pos	Part.No	Label	No
1	101117	THROTTLE	1
2	100118	BOLT / MC6S 6x30 8.8 fzb	1
3	1001110	BOLT / K6S 6x30 10.9 fzb	1
4	303144	THROTTLE CABLE	1
5	101121	ADJUSTING BOLT	1
6	100223	NUT / M6MF M6	2
7	101865	THROTTLE CABLE MOUNTING PARTS	1
8	100222	NUT / LOCKING M6MF M6	2
9	101118	NIPPLE	1

7. PROTECTIVE FRAME, PARTS



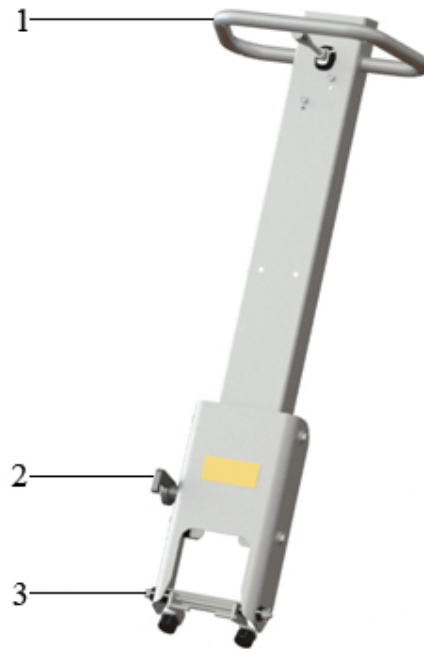
Pos	Part.No	Label	No
1	304039	COVER	1
2	304035	PROTECTIVE FRAME	1
3	100310	WASHER / HS12	2
4	100125	BOLT / M6S 12x20 8.8 fzb	2
5	100310	WASHER / HS12	2
6	100168	BOLT / M6S 12x30 8.8 fzb	2
7	100207	NUT / LOCKING6 BH8 låg fzb	4
8	304034	BRACKET	1

8. PROTECTIVE FRAME



Pos	Part.No	Label	No
1	304602	PROTECTIVE FRAME CPL.	1

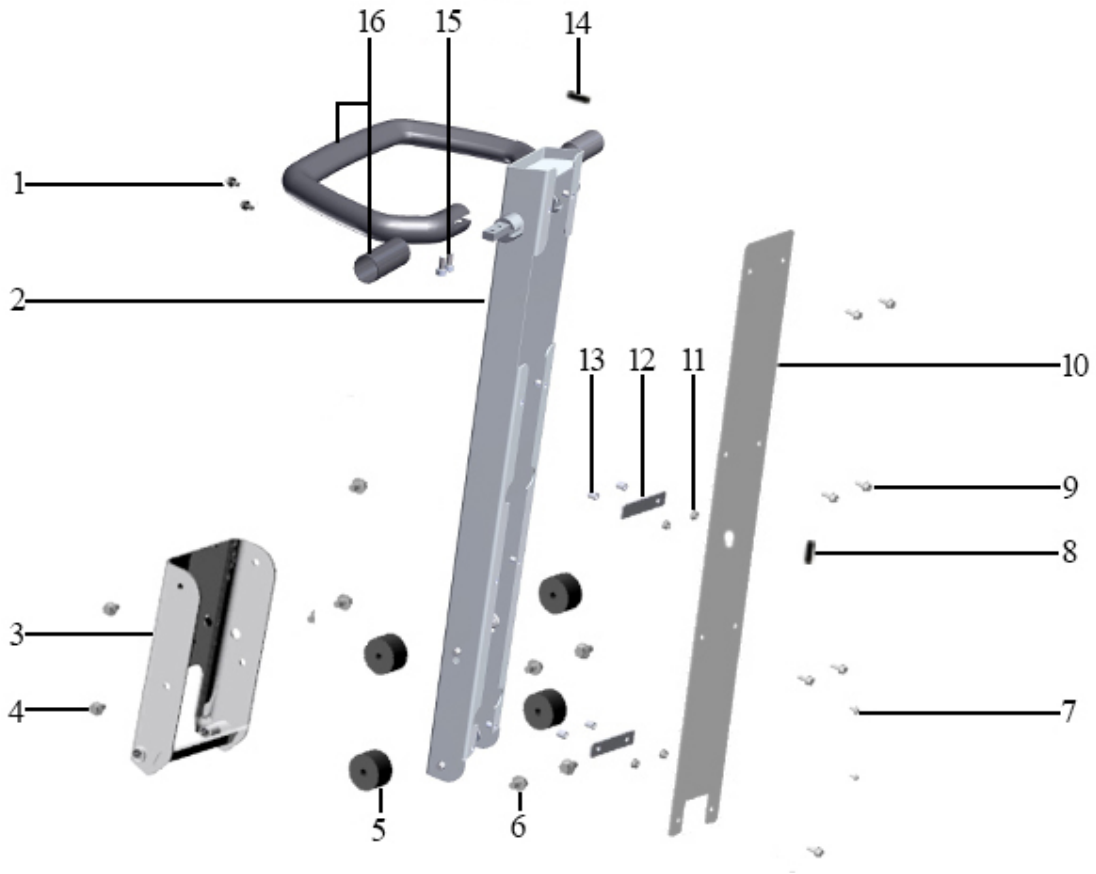
9. HANDLE



Pos	Label
1	Handle, parts
2	Hook, parts
3	Handle attachment, parts

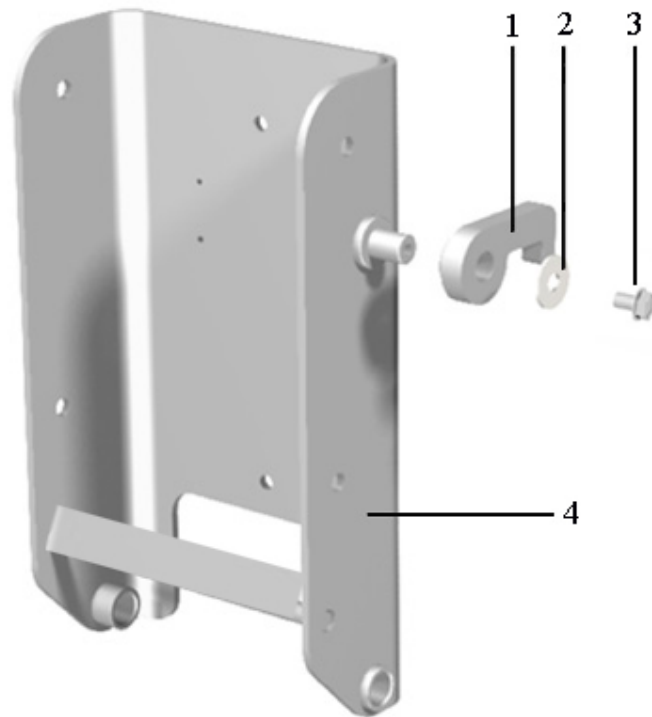


9.1. HANDLE, PARTS



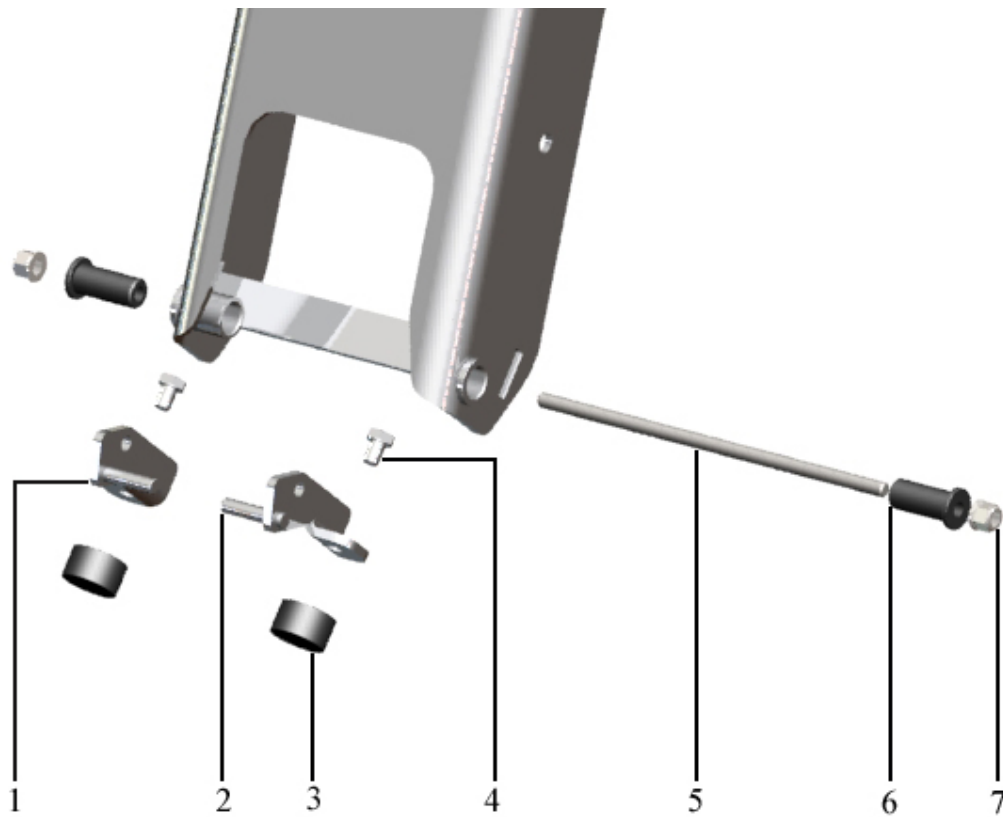
Pos	Part.No	Label	No
1	1001136	BOLT / M6SF 6x10 fzb	2
2	308165	HANDLE	1
3	303012	HANDLE BRACKET	1
4	1001127	BOLT / M6SF 10x14 FZB	4
5	100746	VIBRATIONS ISOLATOR	4
6	1001127	BOLT / M6SF 10x14 FZB	4
7	100191	SCREW / K6S 6X12 4.2 fzb	2
8	1009020	CABLE BUSHING	1
9	1001126	BOLT / M6SZ 6x16 FZB	8
10	307681	COVER PLATE	1
11	100223	NUT / M6MF M6	4
12	306517	BRACKET	2
13	101123	SPACE RING	4
14	100987	COVER	2
15	101188	SCREW / MC6S 8X16 8.8 FZB	2
16	307813	HANDLE CPL	1

9.2. HOOK, PARTS



Pos	Part.No	Label	No
1	203162	HOOK	1
2	100309	WASHER / SRKB 9x28x2 HB200 fzb	1
3	1001124	SCREW / M6SF 8x12 8.8 FZB	1
4	303012	HANDLE BRACKET	1

9.3. HANDLE ATTACHMENT, PARTS



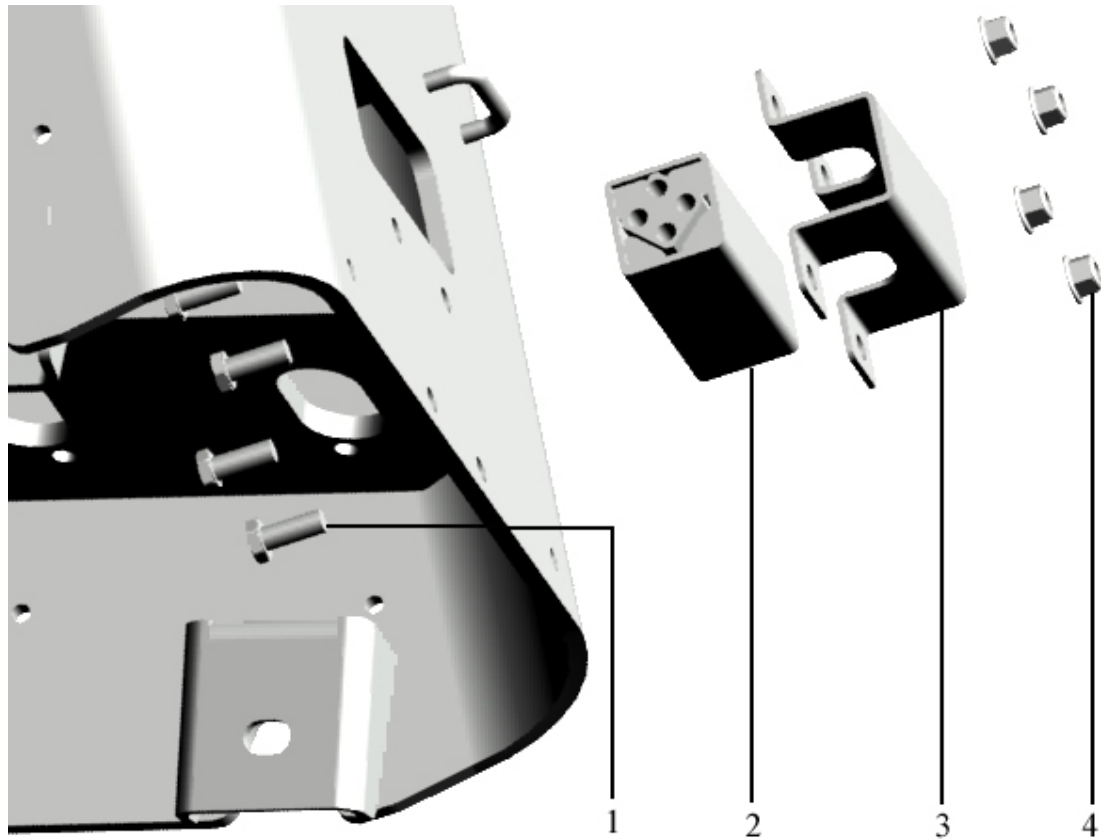
Pos	Part.No	Label	No
1	201547	CLEAT RIGHT	1
2	201548	CLEAT LEFT	1
3	100708	IMPACT DAMPER	2
4	100129	BOLT / MC6S 8x12 8.8 fzb	2
5	201550	STUD SCREW	1
6	201526	BUSHING	2
7	100221	NUT / LOCKING M6MF M8	2

10. CHASSI



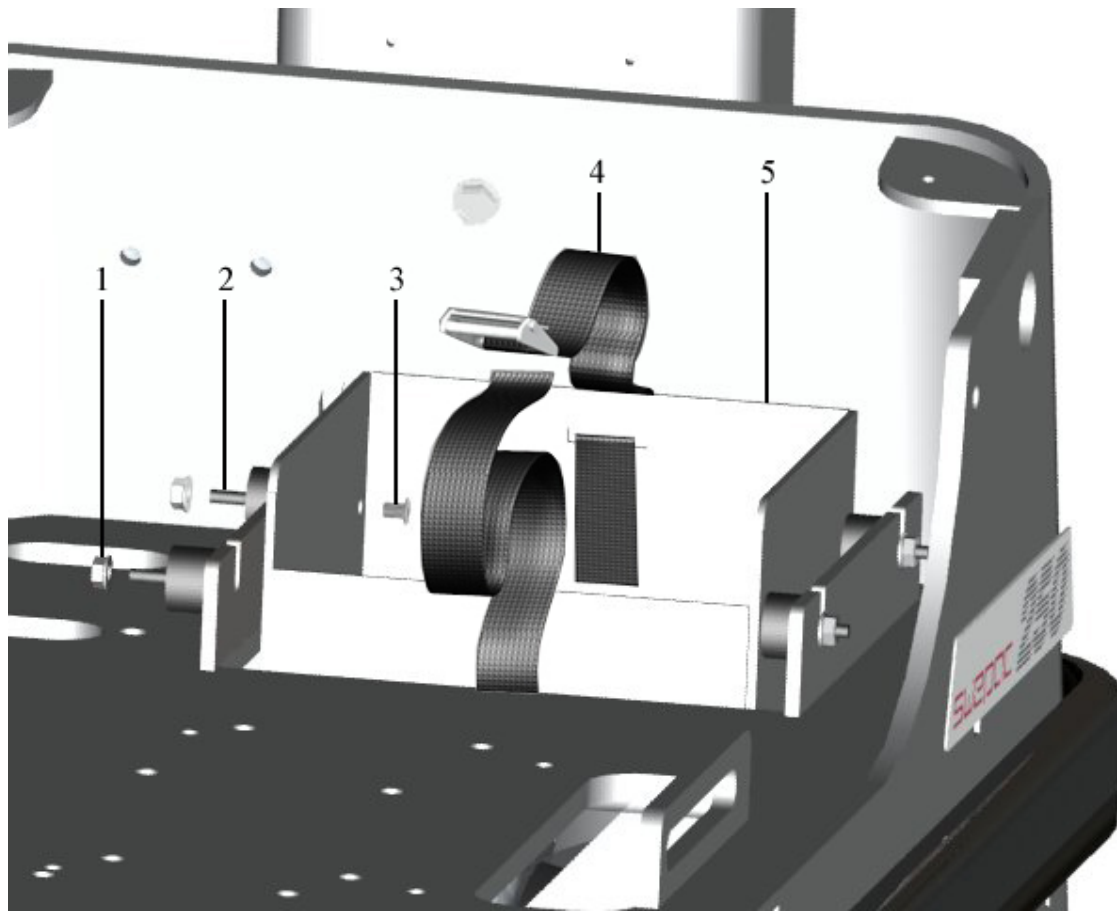
Pos	Label
1	Handle joints, parts
2	Battery box, parts
3	Belt tensioner
4	Chassi, parts

10.1. HANDLE JOINTS, PARTS



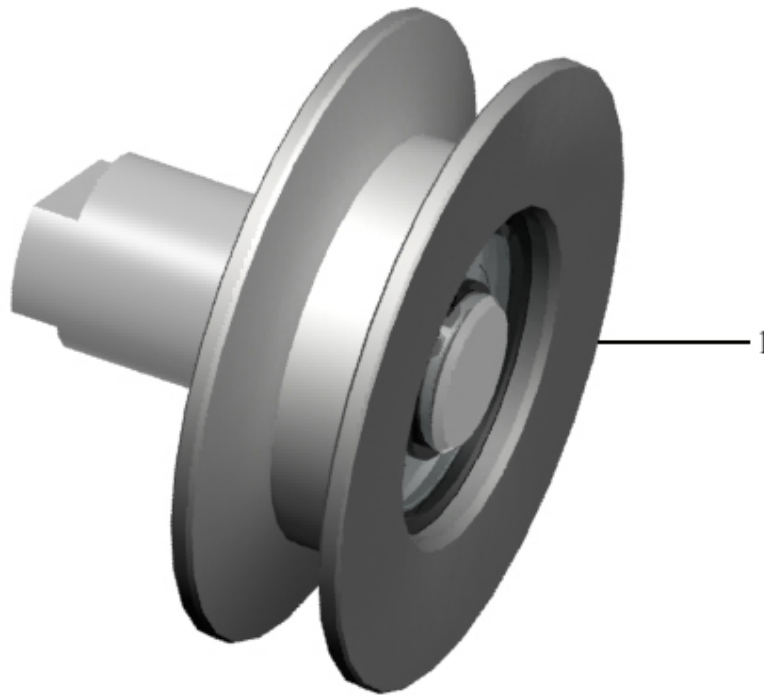
Pos	Part.No	Label	No
1	100151	BOLT / M6S 10x25 8.8 fzb	4
2	100702	SUSPENSION UNIT	1
3	201640	MOUNTING CLAMP	1
4	100220	NUT / LOCKING M6MF M10	4

10.2. BATTERY BOX, PARTS



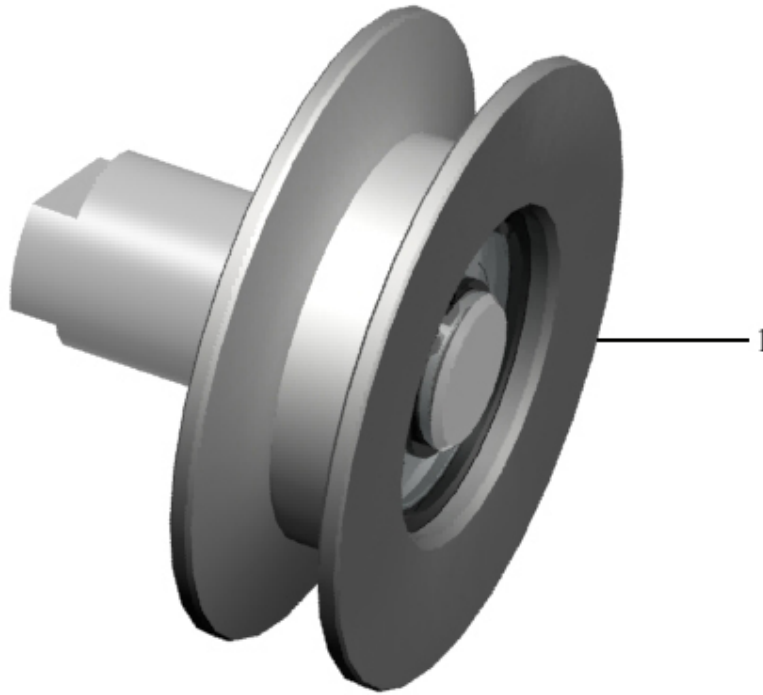
Pos	Part.No	Label	No
1	100223	NUT / M6MF M6	4
2	100725	VIBRATION ISOLATOR	4
3	1001115	BOLT / MELC6S M6x8 10.9 FZB	4
4	203194	STRAP	1
5	303067	BATTERY BOX	1

10.3. BELT TENSIONER



Pos	Label
1	Belt tensioner, cpl
1	Belt tensioner, parts

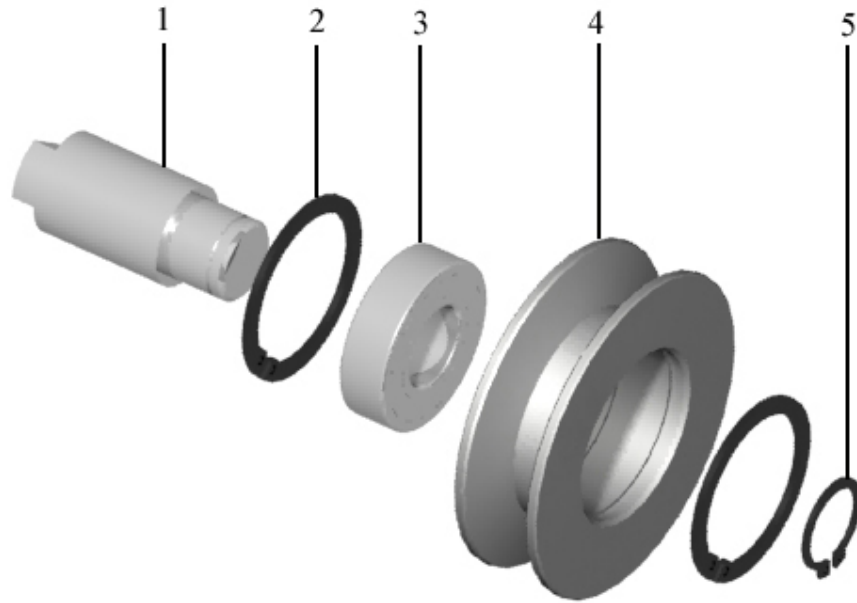
10.3.1. BELT TENSIONER, CPL



Pos	Part.No	Label	No
1	303104	BELT TENSIONER	1

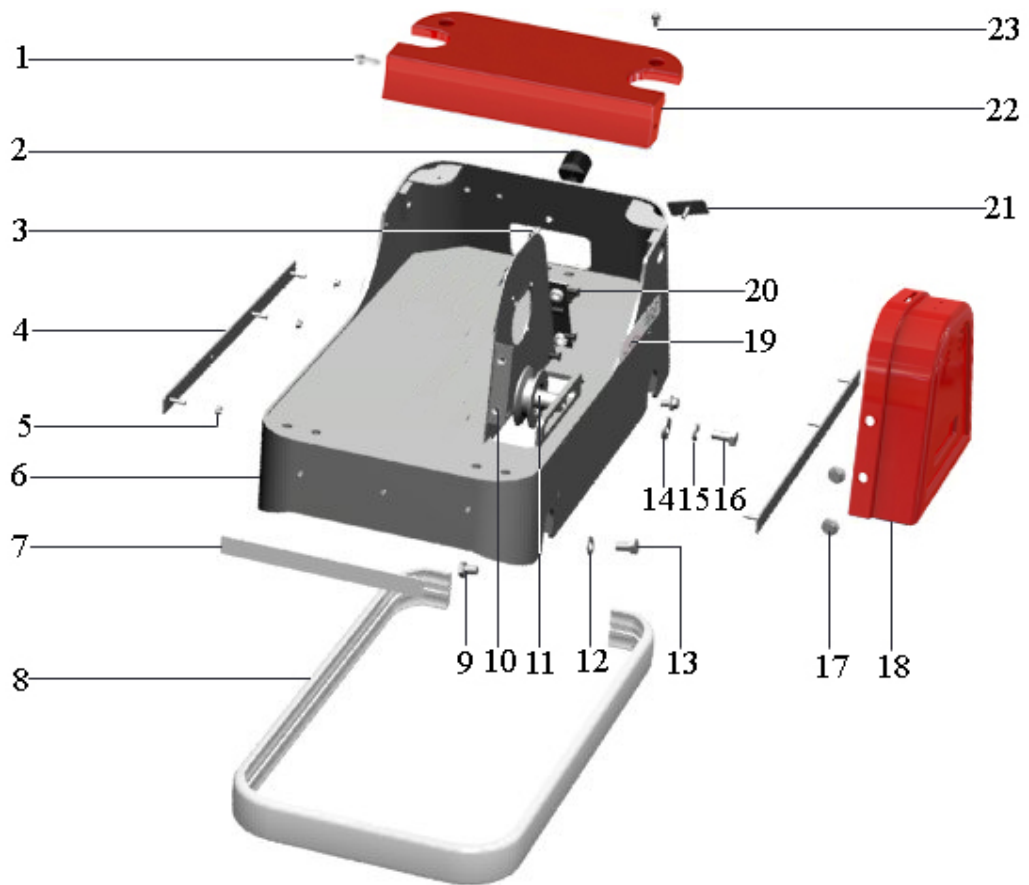


10.3.1. BELT TENSIONER, PARTS



Pos	Part.No	Label	No
1	303097	SHAFT	1
2	100465	CIRCLIP / SGH 42	2
3	100530	BEARING / 6004 DDU C3 ENSS6	1
4	303096	BELT WHEEL	1
5	100466	CIRCLIP / SGA 20	1

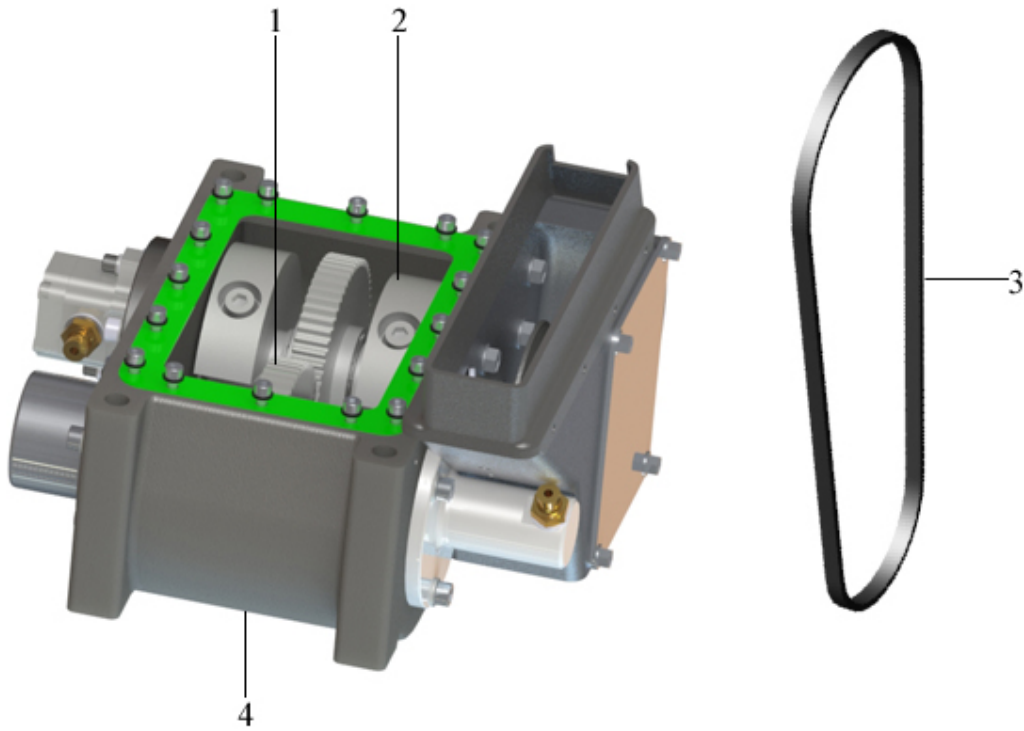
10.4. CHASSI, PARTS



Pos	Part.No	Label	No
1	1001139	BOLT / M6SZ 10x20	2
2	100745	IMPACT DAMPER	1
3	1001144	BOLT / M6SF 6x16 FZB	1
4	303118	BUFFER BRACKET	2
5	100222	NUT / LOCKING M6MF M6	15
6	304017	CHASSI	1
7	301128	BRACKET	1
8	303030	BUFFER	1
9	100107	BOLT / M6S 12x16 8.8 fzb	4
10	303103	INNER BELT COVER	1
11	303104	BELT TENSIONER	1
12	100310	WASHER / HS12	4
13	100154	BOLT / MC6S 12x20 8.8 fzb	4
14	100314	WASHER 13x30x4 HB305 VFZB	1
15	100310	WASHER / HS12	1
16	1001145	BOLT / M6S 12x25 8.8 FZB	1
17	1001127	BOLT / M6SF 10x14 FZB	4
18	303190	BELT GUARD	1
19	303192	DECAL	2
20	1001103	SCREW / MELC6S 8x12 10.9	4
21	301172	BRACKET	2

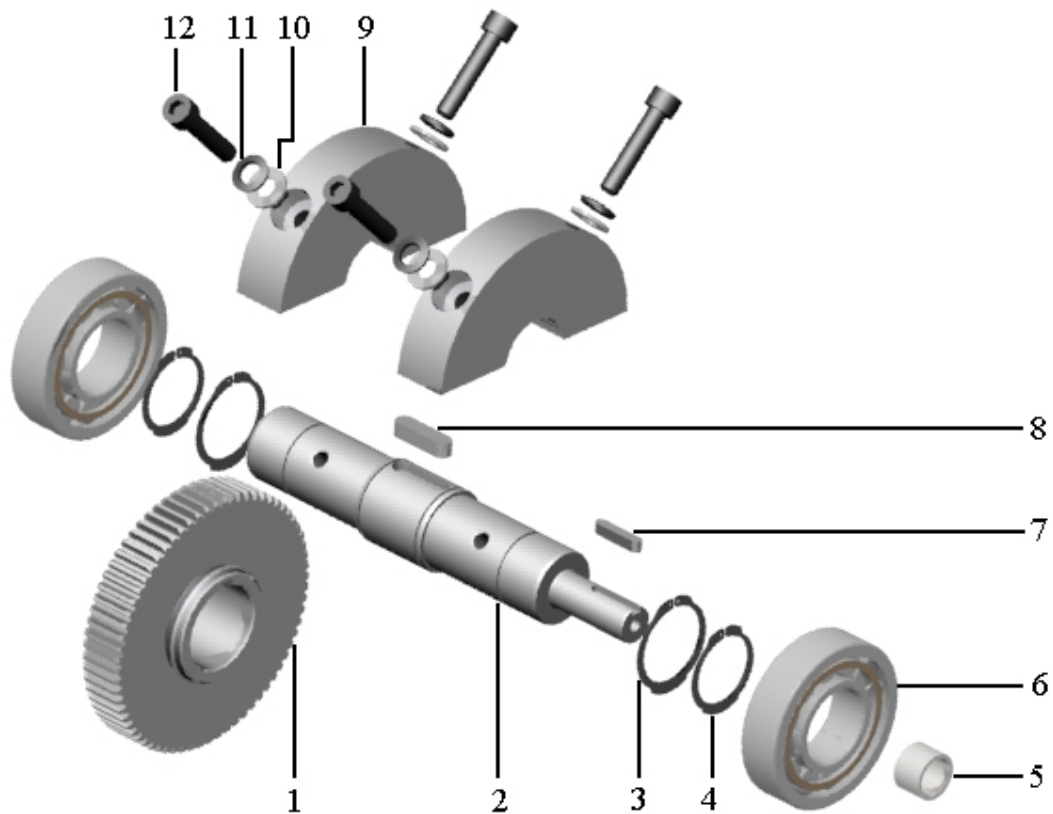
22	303191	BATTERY COVER	1
23	1001111	BOLT / M6SF 6x12 8.8 fzb	2

11. VIBRATIONS UNIT



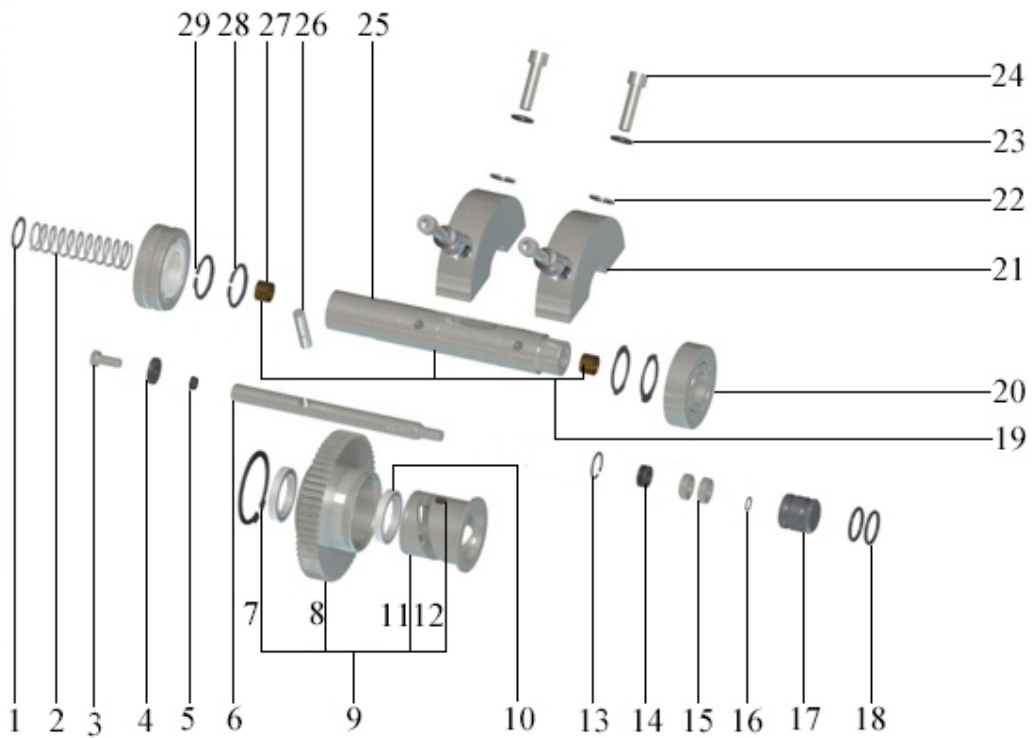
Pos	Label
1	Coupling shaft
2	Shaft with cog wheel, parts
3	V-belt
4	Housing, parts

11.1. COUPLING SHAFT



Pos	Part.No	Label	No
1	203029	COG WHEEL	1
2	303051	SHAFT	1
3	100411	CIRCLIP / SGA 45	2
4	100431	CIRCLIP / A40x1,75K	2
5	100502	INNER RING / LRT 20x25x20,5	1
6	100505	ROLLER BEARING / NJ 308E-C3	2
7	100400	FLAT KEY / RK 6x6x30 H9	1
8	100410	FLAT KEY / RK 10x8x36	1
9	303098	WEIGHT	2
10	100301	WASHER / BRB 8,4x16 HB200 fzb	4
11	100313	WASHER / HS10	4
12	100104	BOLT / MC6S 10x45 12,9	4

11.2. SHAFT WITH COG WHEEL, PARTS



Pos	Part.No	Label	No
1	100463	CIRCLIP / SGH 26	1
2	100368	SPRING	1
3	100100	BOLT / M6S 8x20 8.8 fzb	1
4	100306	WASHER / SRKB 9x35x3 HB200 fzb	1
5	1001181	SCREW / MS6SS 8x12	1
6	303304	CONTROL ROD	1
7	100434	CIRCLIP / SGA 60	1
8	303183	COG WHEEL	1
9	304043	COG WHEEL	1
10	100543	BALL BEARING / 61808	2
11	304019	SLEEVE	1
12	100446	FLAT KEY / RK 6x6x10 H9	1
13	100443	CIRCLIP / SGH 22	1
14	303298	SPACER	1
15	100526	BALL BEARING / 61900	2
16	100445	CIRCLIP / SGA 10	1
17	301204	PISTON	1
18	100627	O-RING / 24,2x3 VITON	2
19	304041	SHAFT COMPLETE	1
20	100505	ROLLER BEARING / NJ 308E-C3	2
21	303098	WEIGHT	2

22	100301	WASHER / BRB 8,4x16 HB200 fzb	4
23	100313	WASHER / HS10	4
24	100104	BOLT / MC6S 10x45 12,9	4
25	303181	SHAFT	1
26	303185	CYLINDRIC PIN, HARDENED	1
27	100506	SLIDE BEARING	2
28	100431	CIRCLIP / A40x1,75K	2
29	100431	CIRCLIP / A40x1,75K	2

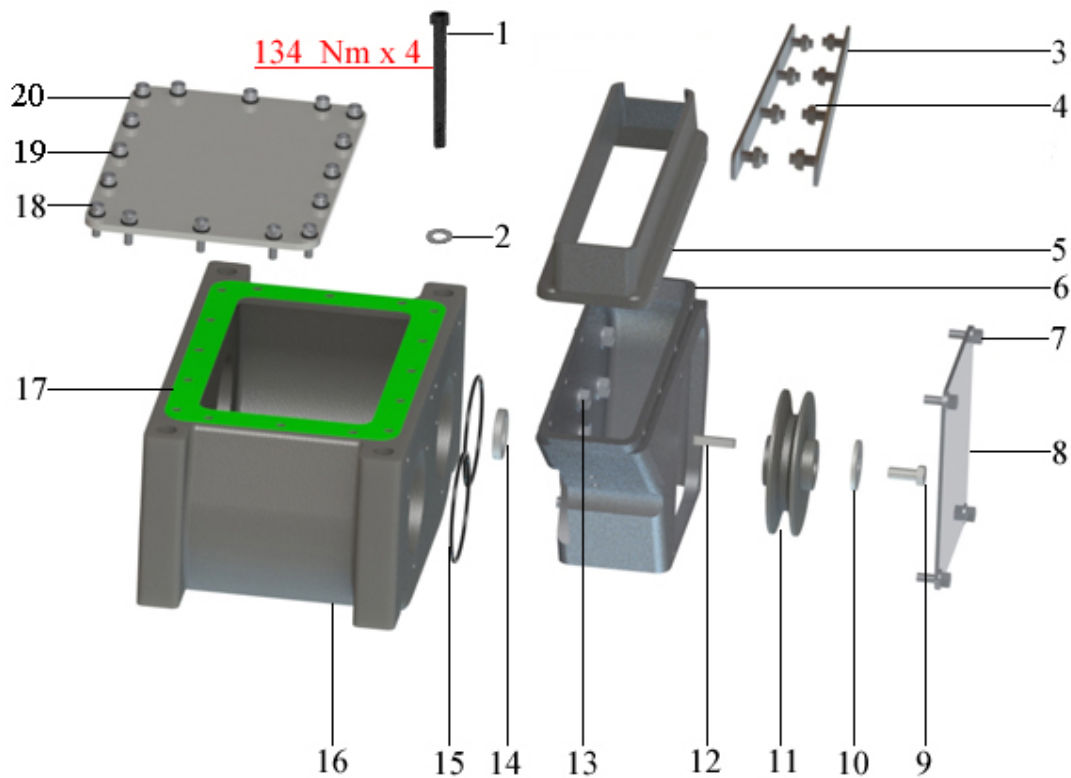
11.3. V-BELT



Pos	Part.No	Label	No
1	100887	V-BELT XPA 990 6T43	1

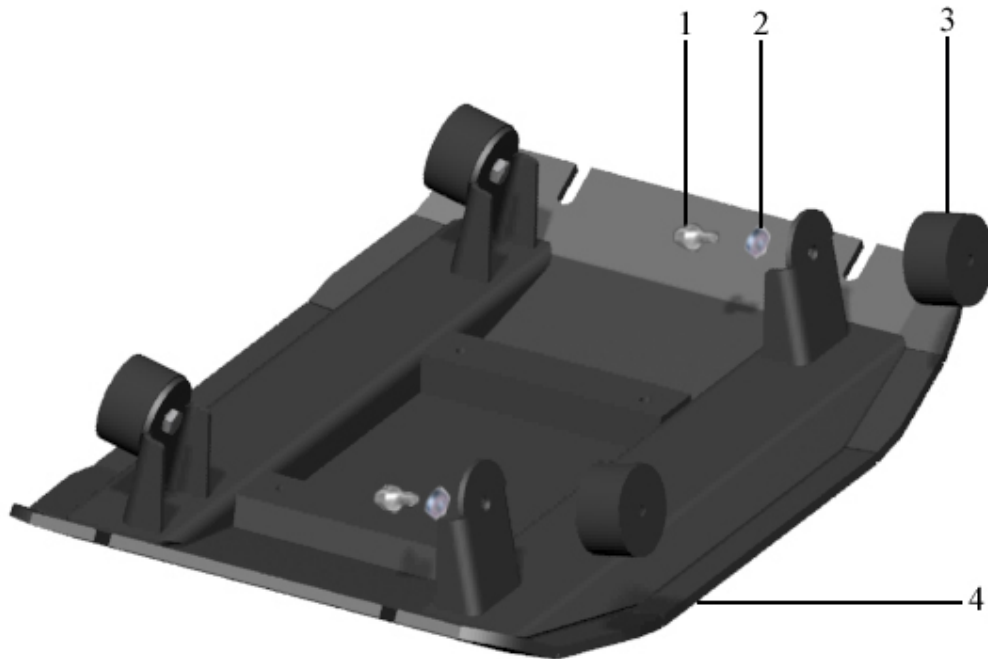


11.4. HOUSING, PARTS



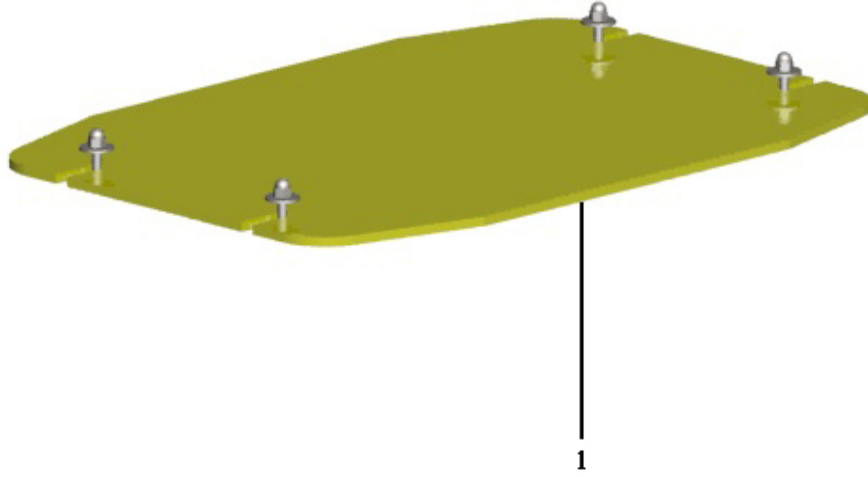
Pos	Part.No	Label	No
1	100111	BOLT / MC6S 12x160 12.9	4
2	100303	WASHER / BRB 13,0x24 HB200 fzb	4
3	304034	BRACKET	2
4	100207	NUT / LOCKING6 BH8 låg fzb	8
5	304072	COVER	1
6	304079	BELT GUARD	1
7	1001126	BOLT / M6SZ 6x16 FZB	4
8	303135	COVER	1
9	100100	BOLT / M6S 8x20 8.8 fzb	1
10	100306	WASHER / SRKB 9x35x3 HB200 fzb	1
11	207008	V-BELT PULLEY	1
12	100400	FLAT KEY / RK 6x6x30 H9	1
13	1001107	BOLT / M6SF 8x20 8.8 FZB	6
14	100604	RADIAL SEALING / 25x35x6 CCP VITON	1
15	100600	O-RING / 89,5x3 NBR 70	2
16	303062	HOUSING	1
17	203133	SEAL	18
18	100100	BOLT / M6S 8x20 8.8 fzb	18
19	100326	WASHER / HS 8	18
20	203031	LOCK	1

12. BASE PLATE CPL.



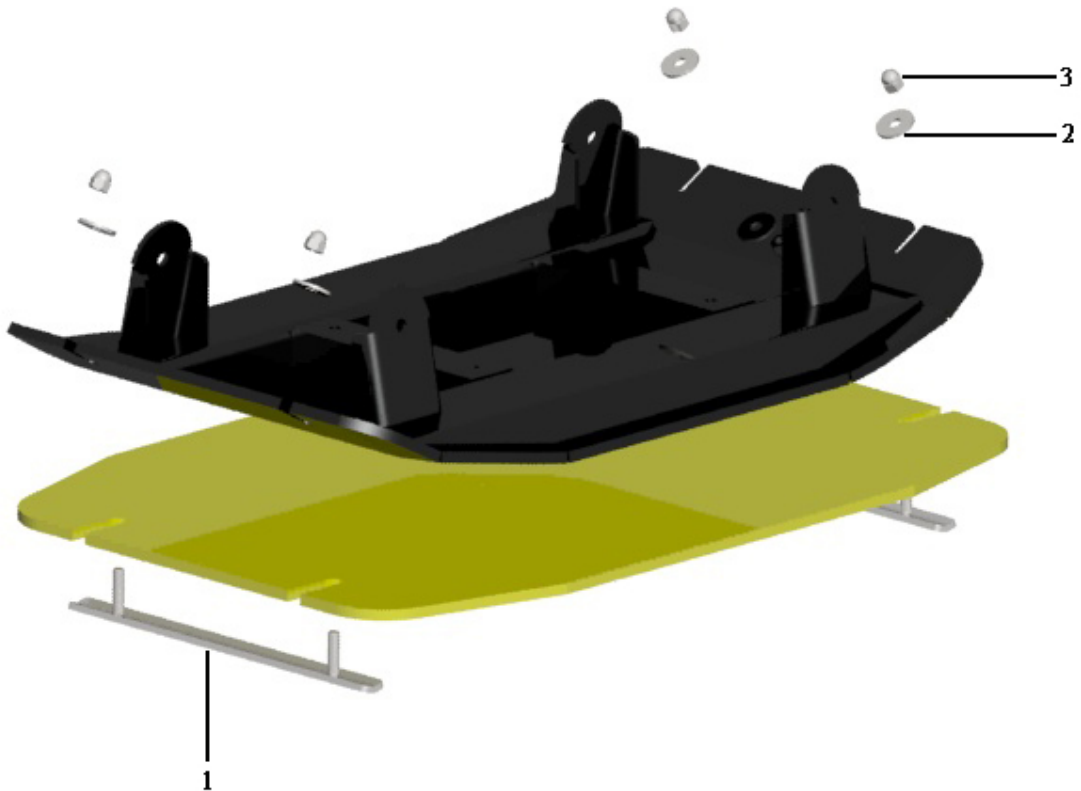
Pos	Part.No	Label	No
1	100125	BOLT / M6S 12x20 8.8 fzb	4
2	100303	WASHER / BRB 13,0x24 HB200 fzb	4
3	100732	VIBRATIONS ISOLATOR	4
4	303027	BASE PLATE	1

13. VULKOLLAN PLATE (ACCESSORIES)



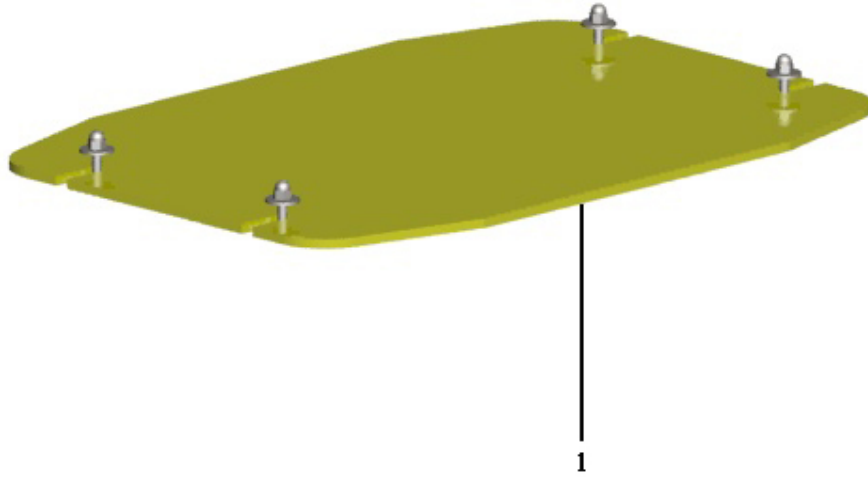
Pos	Label
1	Vulkollan plate, parts
1	Vulkollan plate complete

13.1. VULKOLLAN PLATE, PARTS



Pos	Part.No	Label	No
1	201045	BRACKET	2
2	100318	WASHER / SRKB 11x35x3 HB200 fzb	4
3	100220	NUT / LOCKING M6MF M10	4

13.1. VULKOLLAN PLATE COMPLETE



Pos	Part.No	Label	No
1	303139	VULKOLLAN PLATE, COMPLETE	1

14. SERVICE KIT



Pos	Part.No	Label	No
1	102123	SERVICEKIT FB265	1
	-	Including parts:	
0	101804	AIR FILTER	1
0	101975	FUEL FILTER	1
0	100887	V-BELT XPA 990 6T43	1
	-		



