

Battery powered vibratory plates

F50B

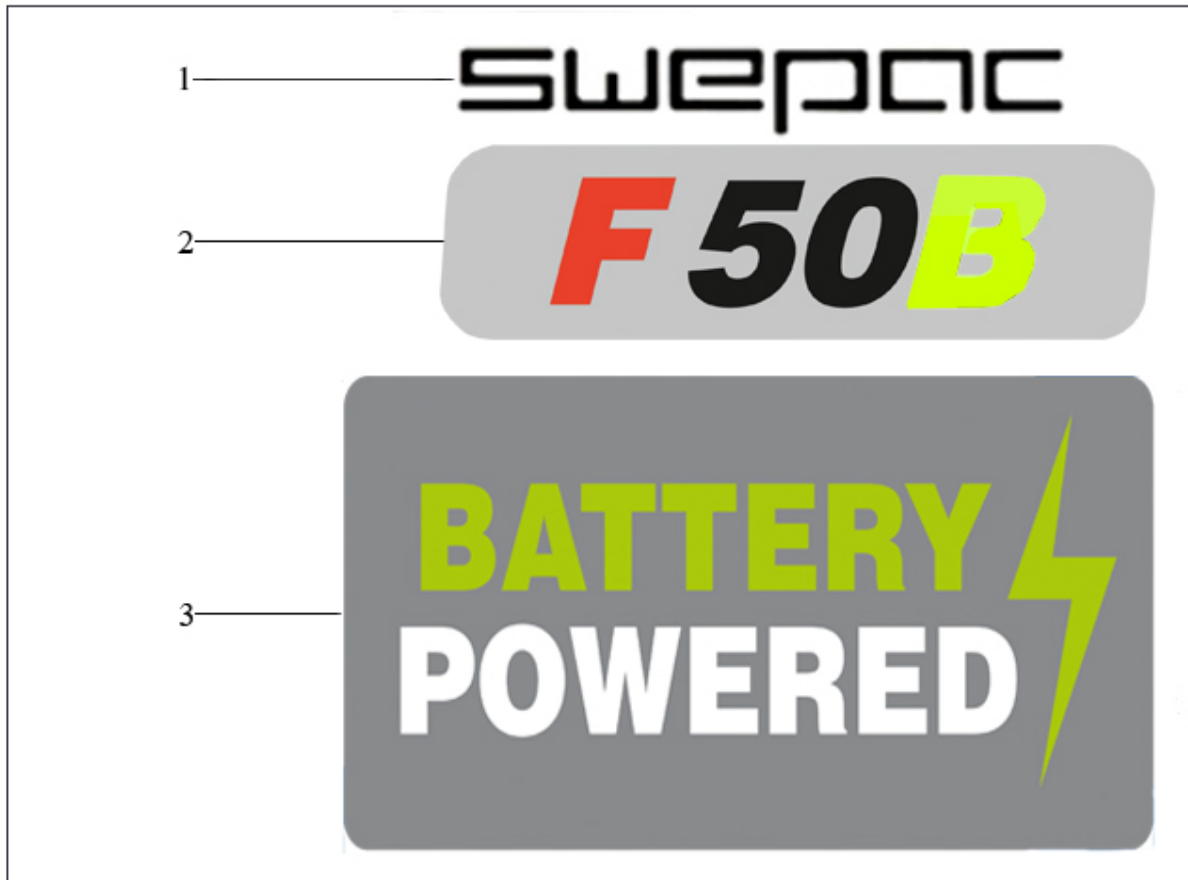
Spare Parts List



TABLE OF CONTENT

1. Decals	4
2. Battery	5
2. Battery kit, parts	6
3. Motor and electric parts	8
4. Other machine parts	9
5. Base plate / Vibrations unit, parts	10
6. Vulkollan plate (Accessories)	11
6.1. Vulkollan plate, parts	12
6.1. Vulkollan plate, complete	13
7. Charger	14
8. Bag, charger	15

1. DECALS



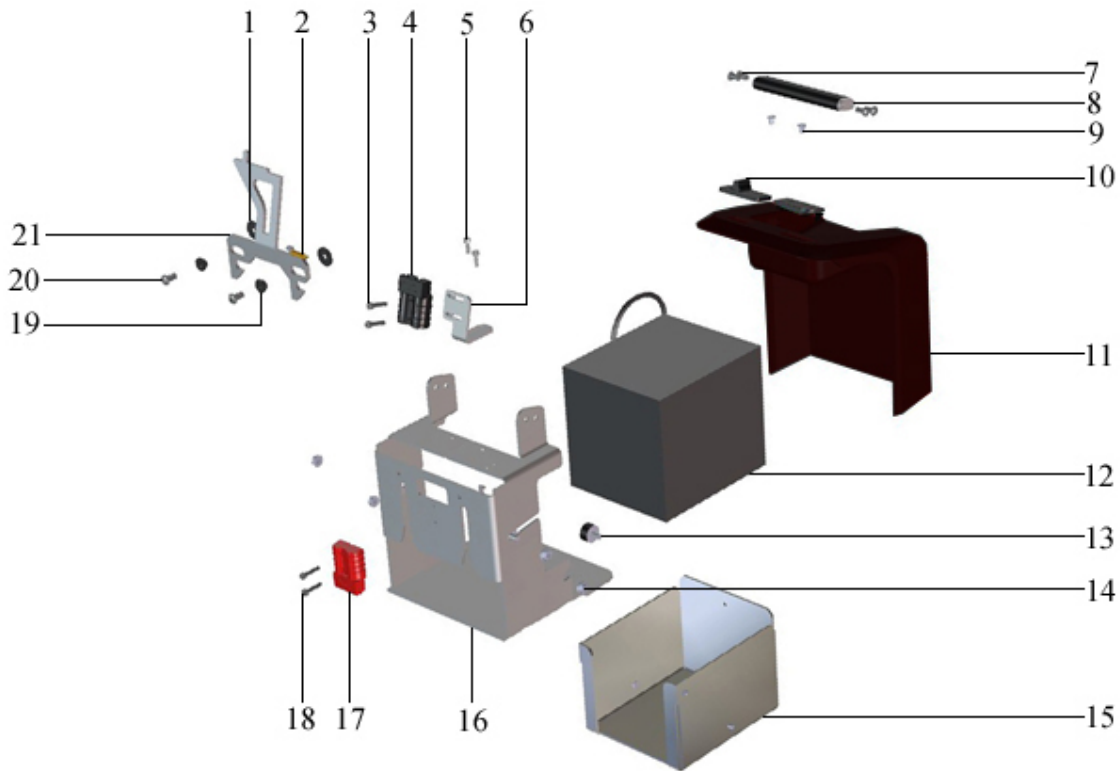
Pos	Part.No	Label	No
1	305032	DECAL	1
2	305542	DECAL F 50B	2
3	305544	DECAL BATTERY POWER	2

2. BATTERY



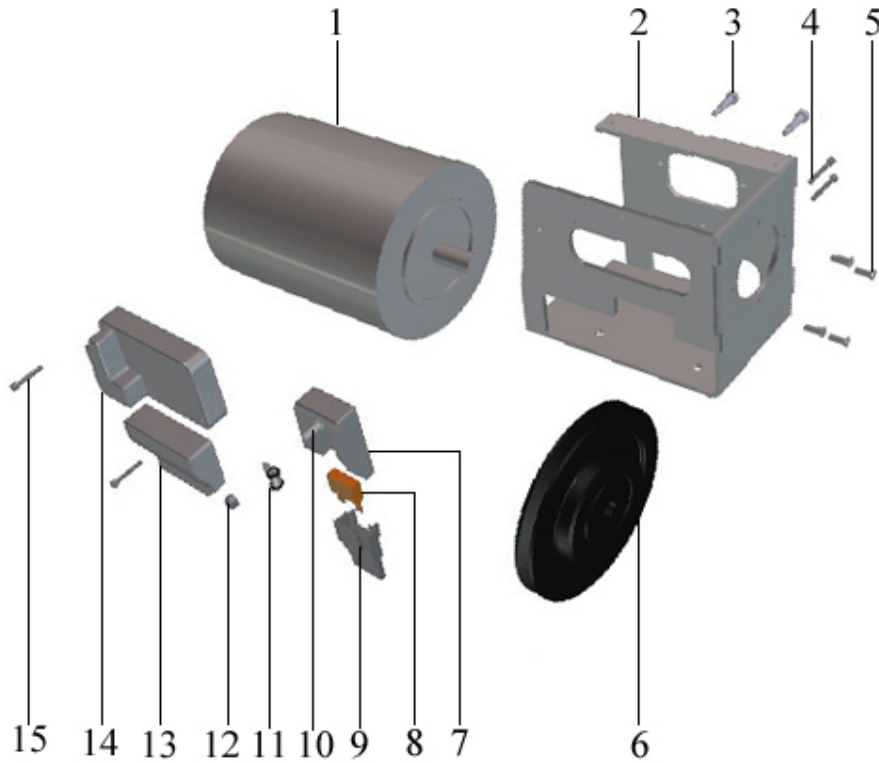
Pos	Part.No	Label	No
1	1009046	BATTERY	1

2. BATTERY KIT, PARTS



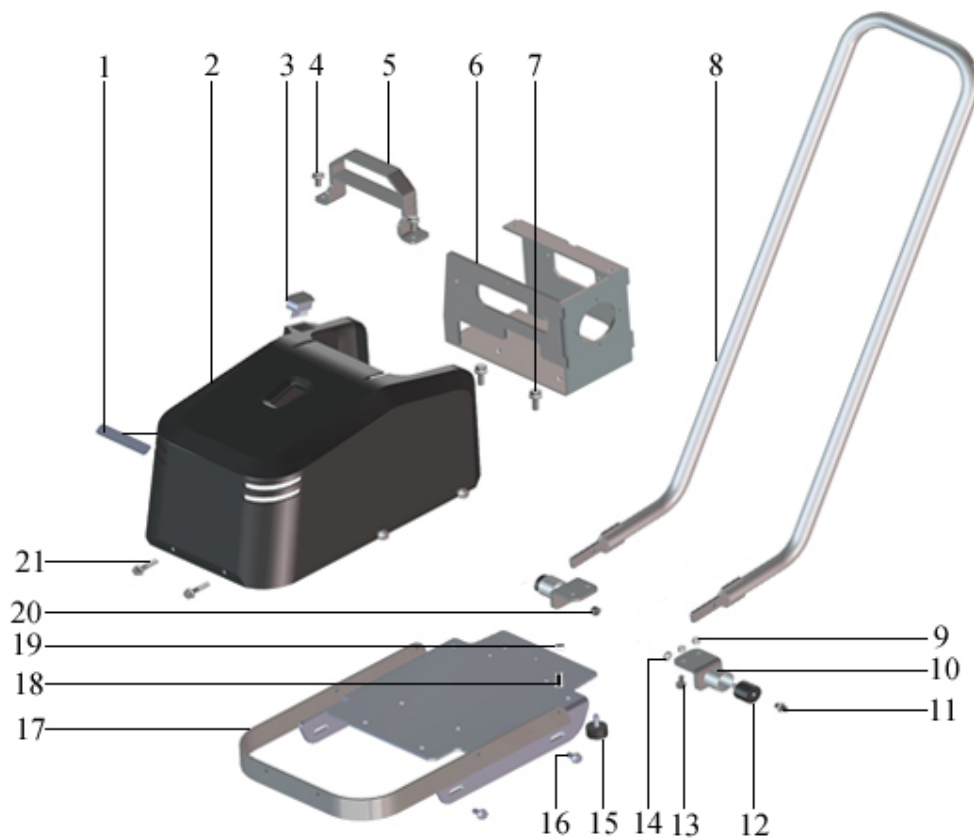
Pos	Part.No	Label	No
1	101168	WASHER	2
2	100123	EXTENSION SPRING	1
3	1001279	SCREW / MC6S 4x20 8,8	2
4	1009304	BATTERY CONTACT 2P 6319 GREY	1
5	1001226	SCREW / MC6S M4x12 8.8	2
6	305504	CHARGER BRACKET	1
7	100191	SCREW / K6S 6X12 4.2 fzb	4
8	305530	BATTERY HANDLE	1
9	1001115	BOLT / MELC6S M6x8 10.9 FZB	2
10	305535	LOCKING	1
11	305534	CHARGE PROTECTION	1
12	305515	BATTERY HOUSING	1
13	1009046	BATTERY	1
14	100727	VIBRATIONS ISOLATOR	2
15	100223	NUT / M6MF M6	4
16	305507	BATTERY BOX	1
17	305517	BATTERY BRACKET	1
18	1009305	BATTERY CONTACT 2P 6331 GI RED	1
19	1001279	SCREW / MC6S 4x20 8,8	2
20	101169	FLANGE BEARING	2
21	100191	SCREW / K6S 6X12 4.2 fzb	2
22	305533	LOCKING BRACKET	1

3. MOTOR AND ELECTRIC PARTS



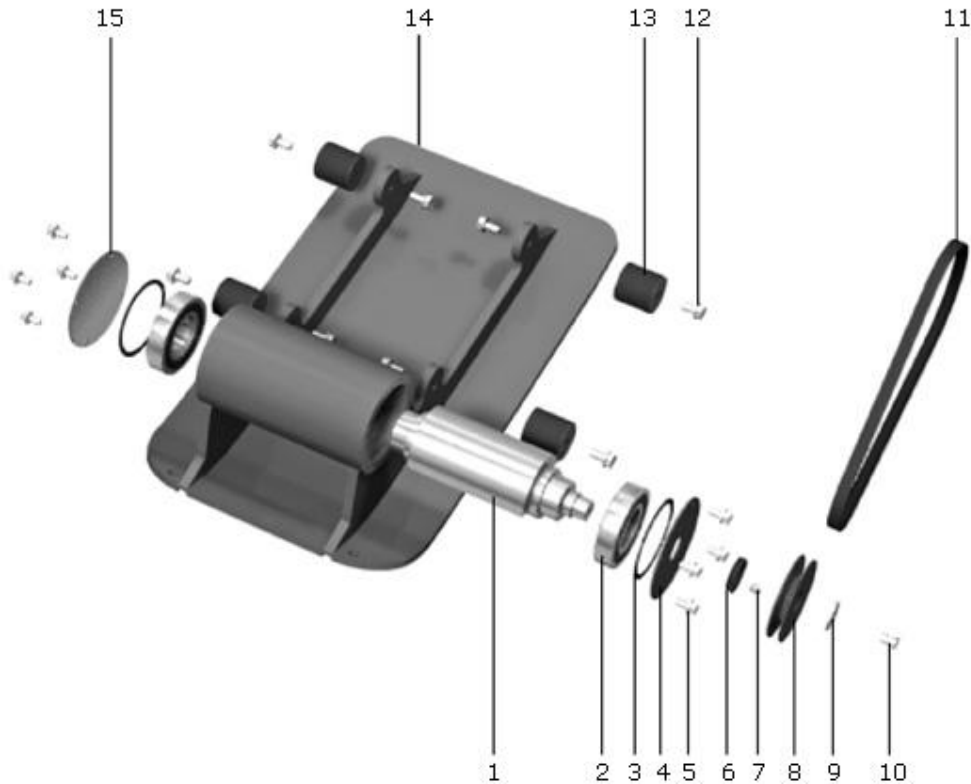
Pos	Part.No	Label	No
1	1009040	ELETRIC MOTOR	1
2	305511	MOTOR BRACKET	1
3	101170	PASS BOLT	2
4	1001235	SCREW / MC6S 4x25 8.8 FZB	2
5	1001131	SCREW / MELC6S 6x16 10.9	4
6	1009130	BELT WHEEL	1
7	1009043	FUSE COVER	1
8	1009044	FUSE	1
9	1009042	FUSE HOLDER	1
10	1001131	SCREW / MELC6S 6x16 10.9	1
11	100456	RUBBER-COVERED CLIP / 6 mm	1
12	100207	NUT / LOCKING6 BH8 låg fzb	1
13	1009045	I COVER SEALING KIT	1
14	1009041	MOTOR CONTROL	1
15	1001279	SCREW / MC6S 4x20 8,8	2

4. OTHER MACHINE PARTS



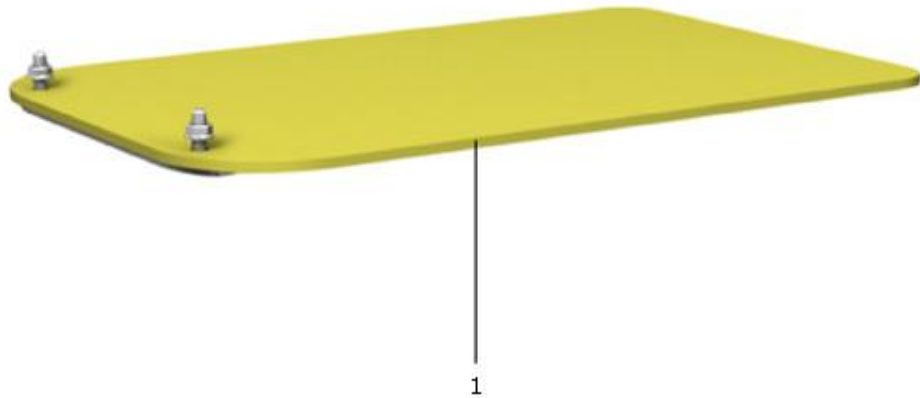
Pos	Part.No	Label	No
1	305032	DECAL	1
2	305545	HOOD COMPLETE	1
3	1009120	CIRCUIT BREAKER	1
4	1001130	BOLT / M6SZ 8x14 FZB	2
5	305526	LIFTEYE	1
6	305511	MOTOR BRACKET	1
7	1001107	BOLT / M6SF 8x20 8.8 FZB	4
8	305537	GRIP	1
9	100224	NUT / M6MF M8	2
10	305541	HANDLE BRACKET	2
12	100721	VIBRATIONS ISOLATOR	2
13	1001124	SCREW / M6SF 8x12 8.8 FZB	4
14	100301	WASHER / BRB 8,4x16 HB200 fzb	2
15	100700	VIBRATIONS ISOLATOR	2
16	1001130	BOLT / M6SZ 8x14 FZB	4
17	305501	MOTOR CHASSI	1
18	1001234	SCREW / MS6SS 6x16	1
19	100202	NUT / M6M6 BH8 fzb	1
20	100214	NUT / LOCKING8 BH8 fzb	2
21	1001144	BOLT / M6SF 6x16 FZB	4

5. BASE PLATE / VIBRATIONS UNIT, PARTS



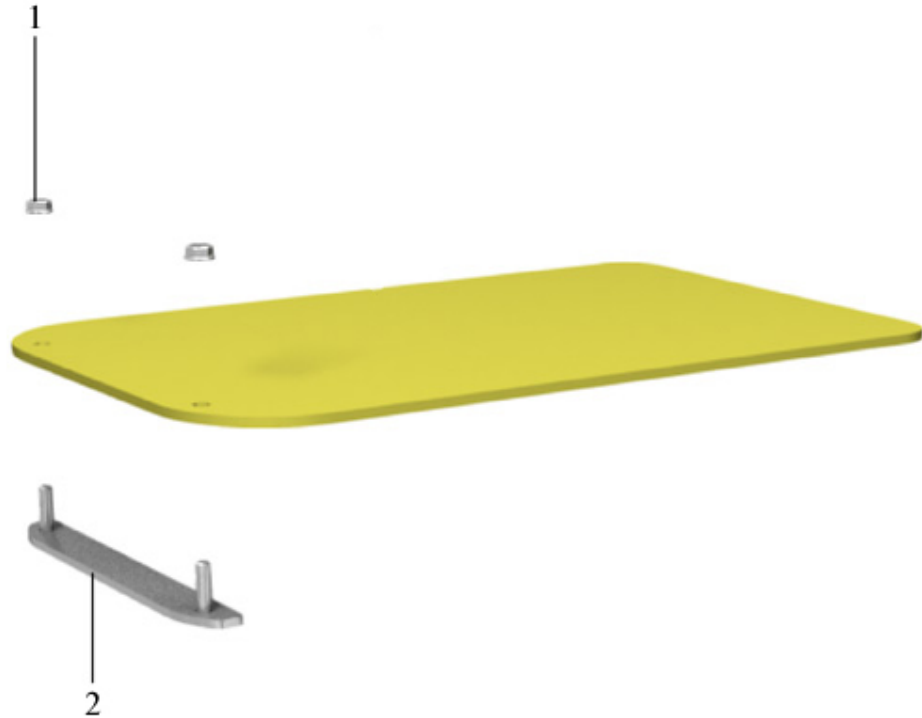
Pos	Part.No	Label	No
1	305023	SHAFT	1
2	100529	BALL BEARING / 6208 VV-C3	2
3	305024	SPACER RING	2
4	305011	LOCK	1
5	1001111	BOLT / M6SF 6x12 8.8 fzb	8
6	100630	V-RING 25 VA	1
7	100446	FLAT KEY / RK 6x6x10 H9	1
8	305012	V-BELT PULLEY	1
9	100309	WASHER / SRKB 9x28x2 HB200 fzb	1
10	1001103	SCREW / MELC6S 8x12 10.9	1
11	100828	V-BELT / XPZ-662	1
12	1001125	BOLT / M6SF 8x16 8.8 FZB	4
13	100742	VIBRATIONS ISOLATOR	4
14	305001	BASE PLATE	1
15	305010	LOCK	1

6. VULKOLLAN PLATE (ACCESSORIES)



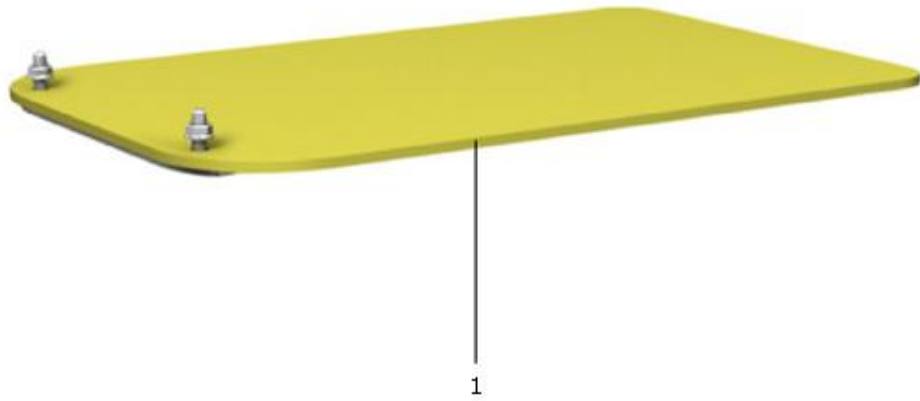
Pos	Label
1	Vulkollan plate, parts
1	Vulkollan plate, complete

6.1. VULKOLLAN PLATE, PARTS



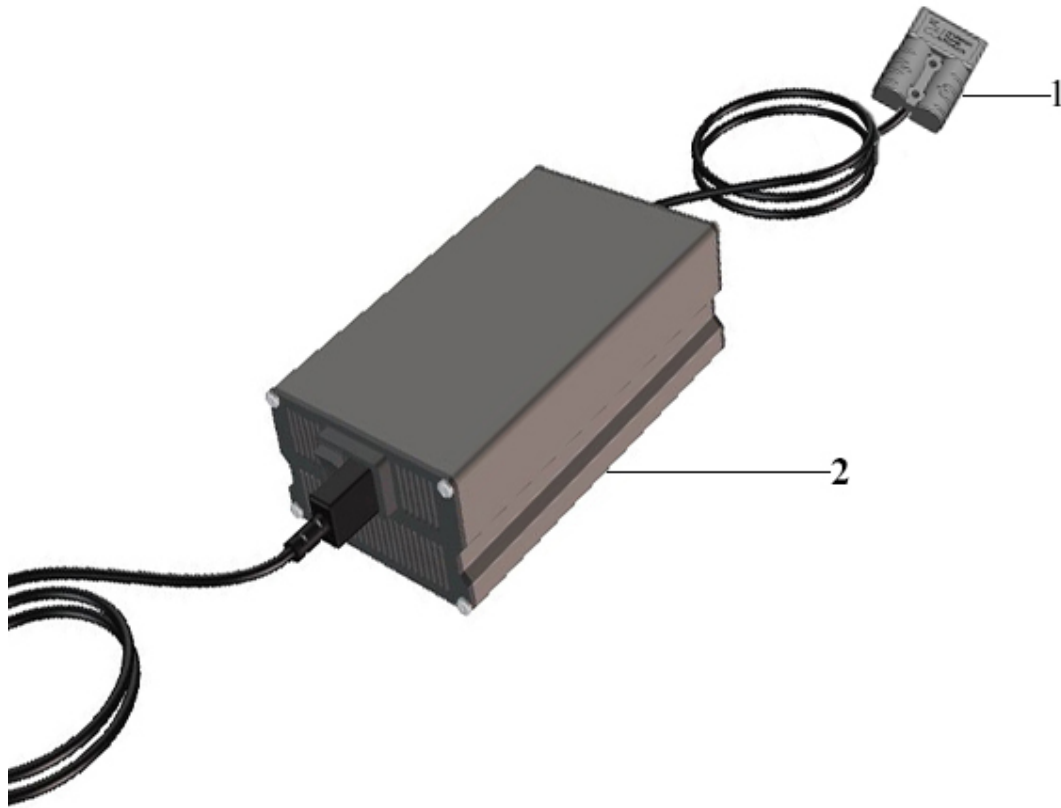
Pos	Part.No	Label	No
1	100221	NUT / LOCKING M6MF M8	2
2	305036	BRACKET	1

6.1. VULKOLLAN PLATE, COMPLETE



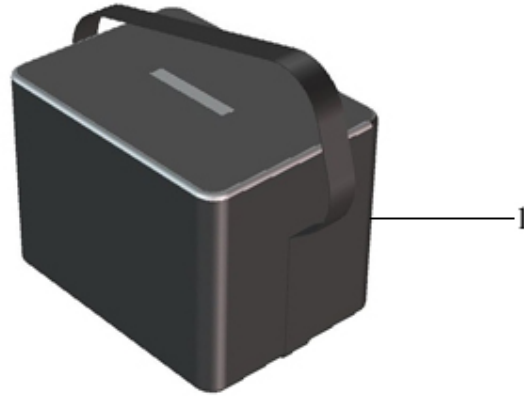
Pos	Part.No	Label	No
1	305039	VULKOLLAN PLATE	1

7. CHARGER



Pos	Part.No	Label	No
1	1009305	BATTERY CONTACT 2P 6331 GI RED	1
2	1009047	CHARGER	1

8. BAG, CHARGER



Pos	Part.No	Label	No
1	305547	BAG, CHARGER	1

