

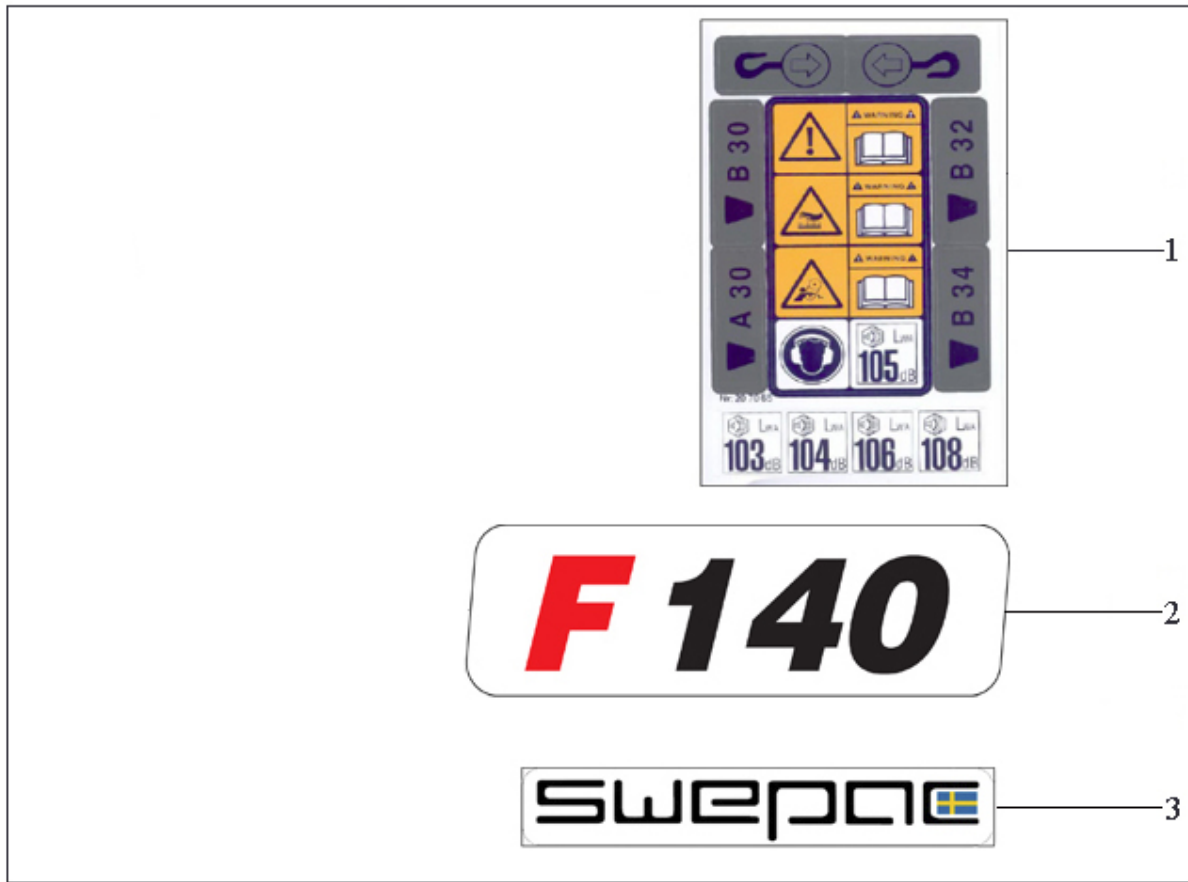
Forward vibratory plates - gravel F140 Spare Parts List



TABLE OF CONTENT

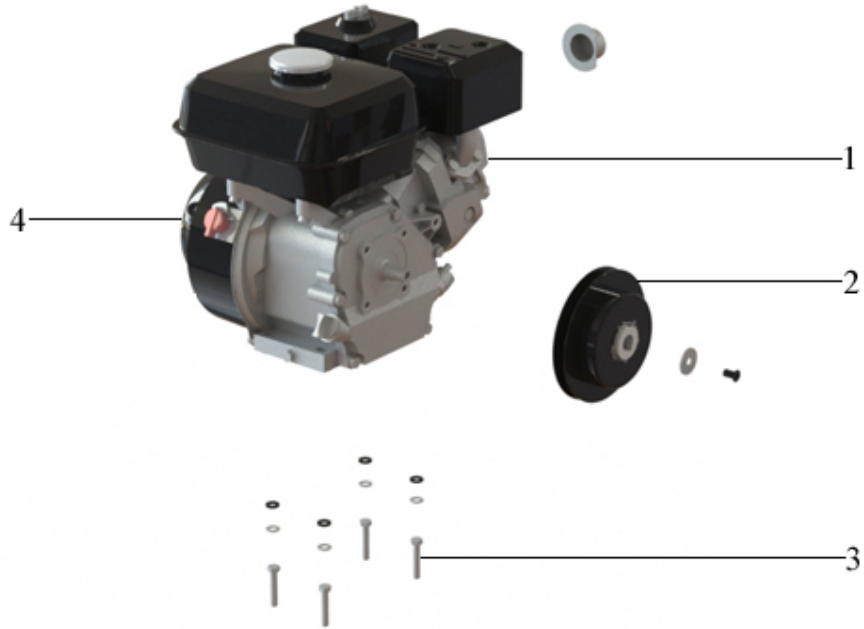
1. Decal	4
2. Engine GX160	
2.1. Engine, parts	6
2.2. Centrifugal clutch, parts	7
2.2. Centrifugal clutch cpl.	8
2.3. Mounting parts	9
2.4. Hand start	10
2.4.1. Hand start, parts	11
2.4.1. Hand start cpl.	12
2.5. Engine cpl.	13
3. Chassis	14
3.1. Chassi, parts	15
3.2. Belt tensioner, parts	16
3.2. Belt tensioner cpl.	17
3.3. Belt guard, red	18
4. Vibrations unit	19
4.1. Vibrations unit	20
4.1. Vibrations unit, parts	21
4.2. V-belt	22
5. Base plate	23
6. Transport wheel	24
7. Handle	25
7.1. B Low vibrated handle	26
7.1.1. Handel, cpl	27
7.1.1. Handle, parts	28
7.1. A Handle	29
7.1.1. Handle, parts	30
8. Vulkollan plate (Accessories)	31
8.1. Vulkollan plate, parts	32
8.1. Vulkollan plate cpl.	33
9. Service kit	34

1. DECAL



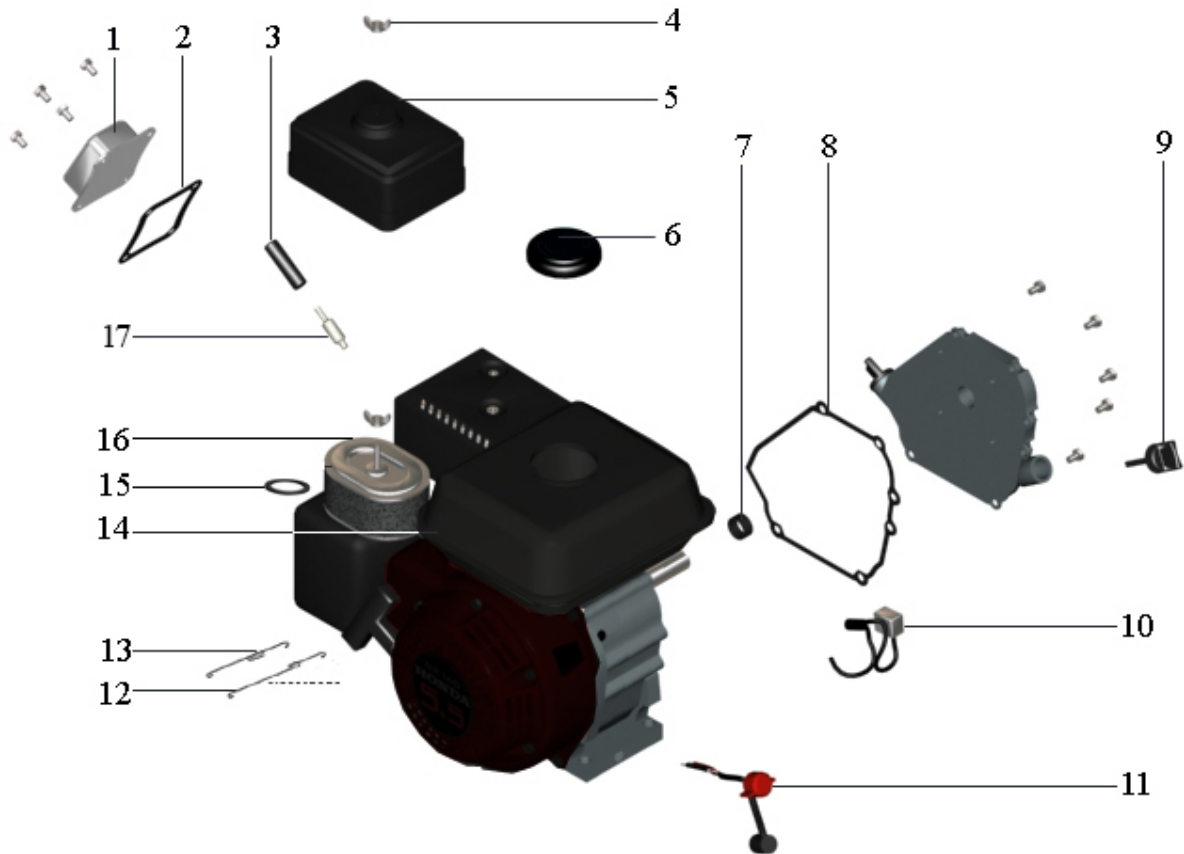
Pos	Part.No	Label	No
1	207065	DECAL	1
2	201087	DECAL F140	2
3	305032	DECAL	1

2. ENGINE GX160



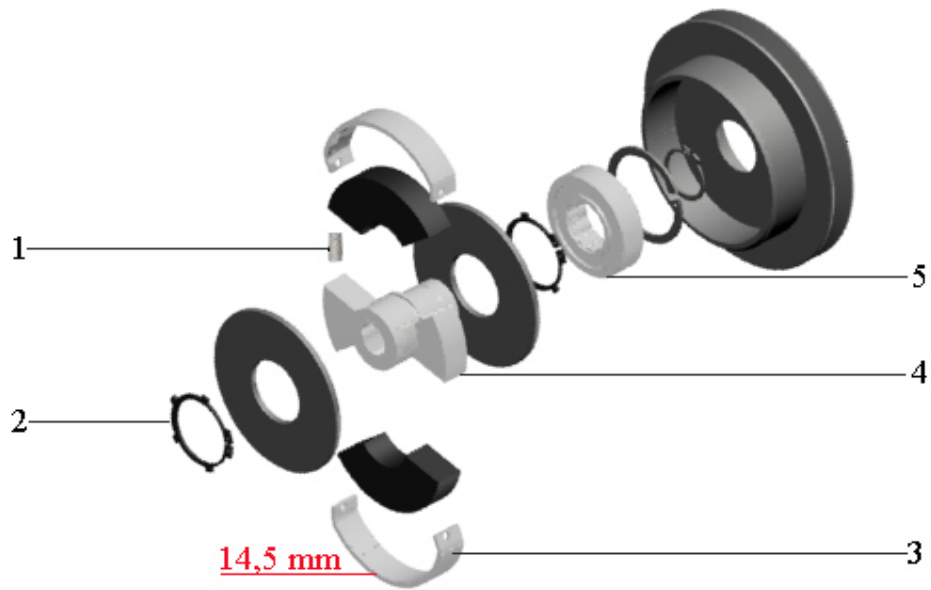
Pos	Label
1	Engine, parts
2	Centrifugal clutch, parts
2	Centrifugal clutch cpl.
3	Mounting parts
4	Hand start
5	Engine cpl.

2.1. ENGINE, PARTS



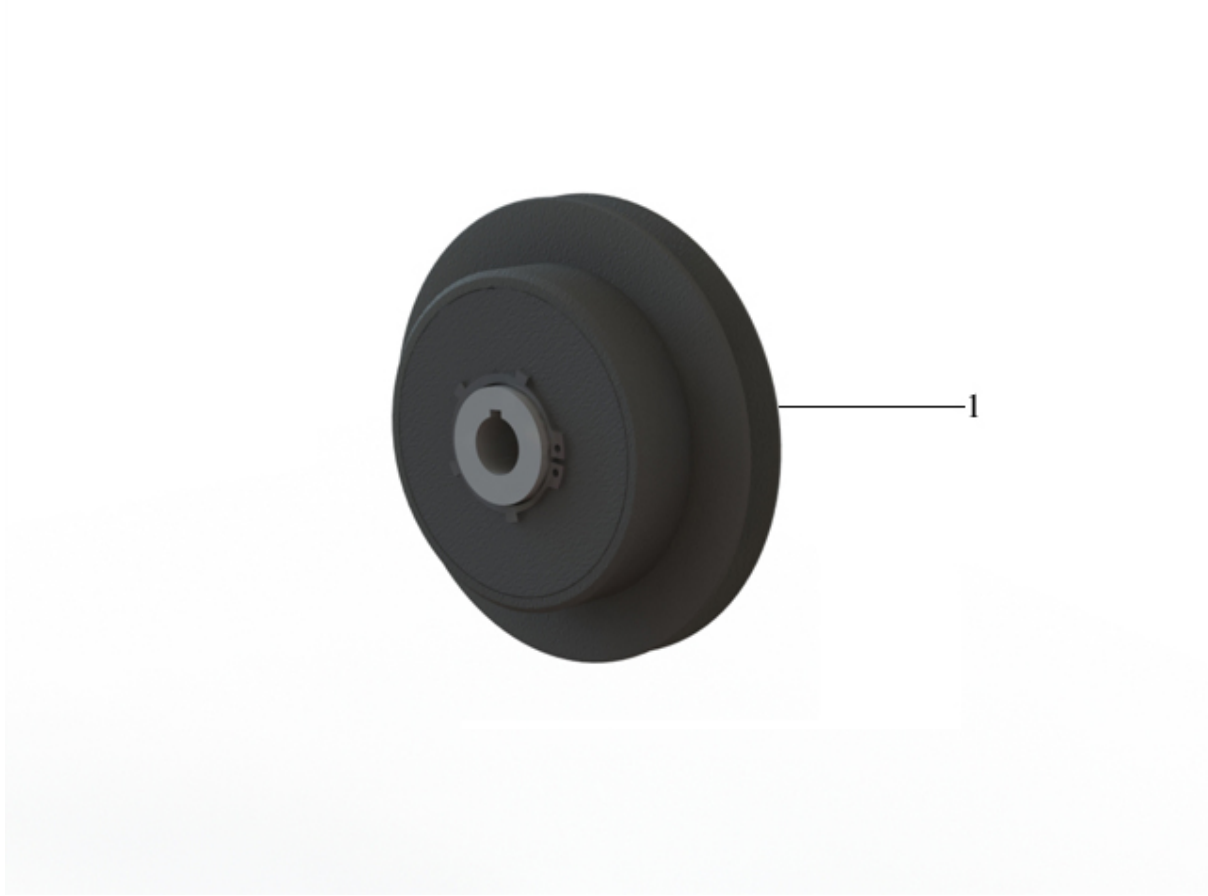
Pos	Part.No	Label	No
1	101857	BONNET ASSY, HEAD	1
2	101281	GASKET, BONNET	1
3	101277	BOOT-SPARK PLUG	1
4	101299	WING NUT, AIR FILTER	2
5	101751	COVER-AIR CLEANER	1
6	101275	CAP-FUEL TANK	1
7	101291	RADIAL SEAL	1
8	101273	SEAL, CRANKCASE	1
9	101280	DIP STICK	1
10	101760	CONTROL, OIL ALERT	1
11	101276	CIRCUIT BREAKER	1
12	101836	SPRING THROTTLE RETURN	1
13	101838	SPRING REGULATOR	1
14	102071	FUEL TANK BLACK	1
15	101832	SEAL	1
16	101210	AIR FILTER 70mm HIGH	1
17	101278	SPARK-PLUG	1

2.2. CENTRIFUGAL CLUTCH, PARTS



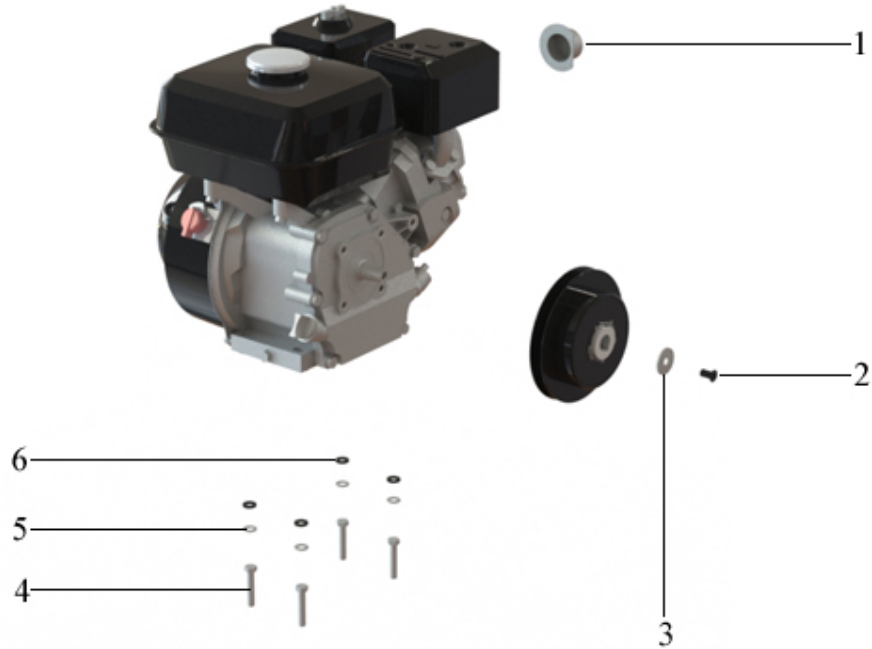
Pos	Part.No	Label	No
1	100820	BALL BEARING 6008.2Z	1
2	100812	SPRING	4
3	100120	BOLT / MF6S 4x12 10.9	2
4	100817	END CAP	1
5	100811	CLUTCH LINING	2
6	100823	HUB	1

2.2. CENTRIFUGAL CLUTCH CPL.



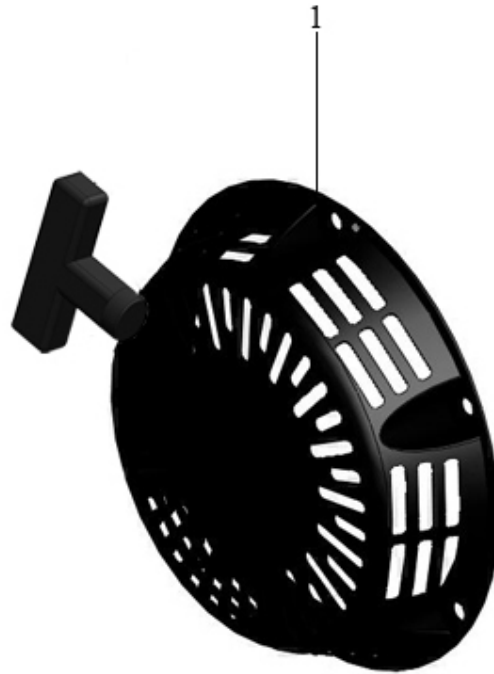
Pos	Part.No	Label	No
1	100800	CLUTCH	1

2.3. MOUNTING PARTS



Pos	Part.No	Label	No
1	101270	DEFLECTOR	1
2	1001103	SCREW / MELC6S 8x12 10.9	1
3	100356	WASHER / HS 8,4x29x2	1
4	100103	BOLT / M6S 8x40 8.8 fzb	4
5	100301	WASHER / BRB 8,4x16 HB200 fzb	4
6	100326	WASHER / HS 8	4

2.4. HAND START



Pos	Label
1	Hand start, parts
1	Hand start cpl.

2.4.1. HAND START, PARTS



Pos	Part.No	Label	No
1	101279	KNOB, HAND START	1
2	101221	RECOIL STARTER WIRE	1

2.4.1. HAND START CPL.



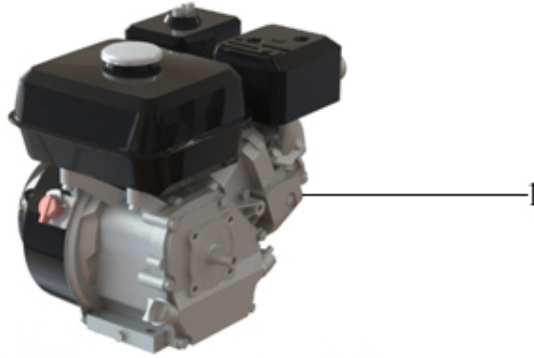
1

102069 Svart / Black

102070 Röd / Red

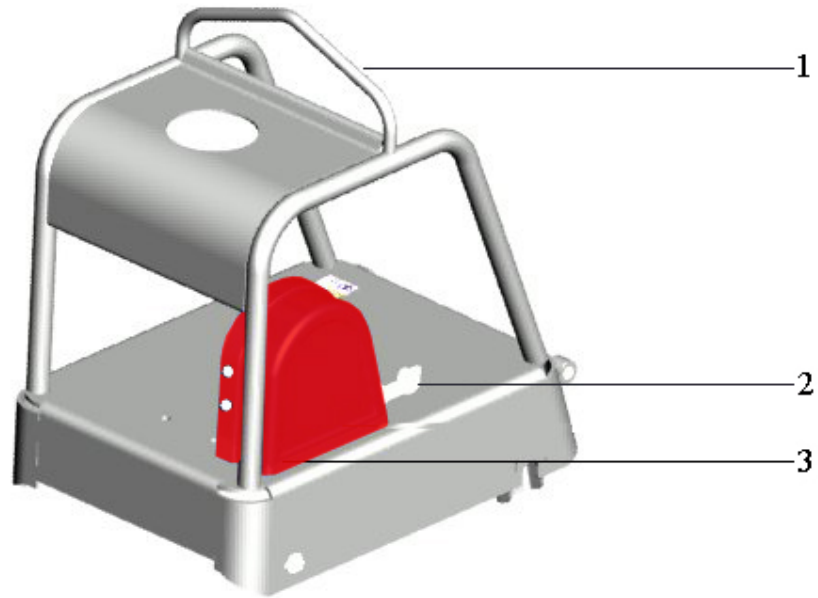
Pos	Part.No	Label	No
1	102069	HAND START / METAL HEELS / BLACK	1
1	102070	HAND START / METAL HEELS / RED	1

2.5. ENGINE CPL.



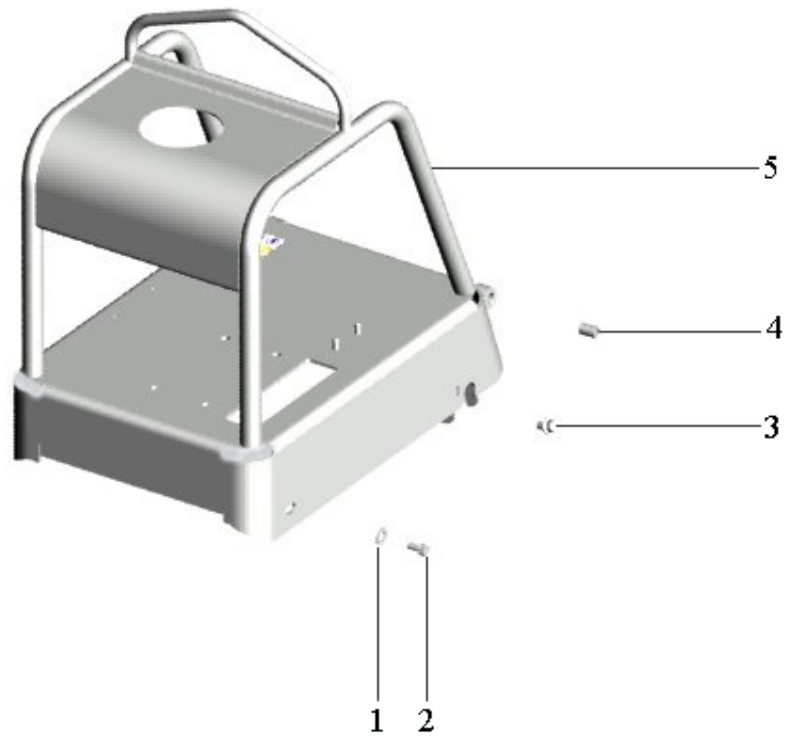
Pos	Part.No	Label	No
1	1018106	HONDA ENGINE GX 160H2	1

3. CHASSIS



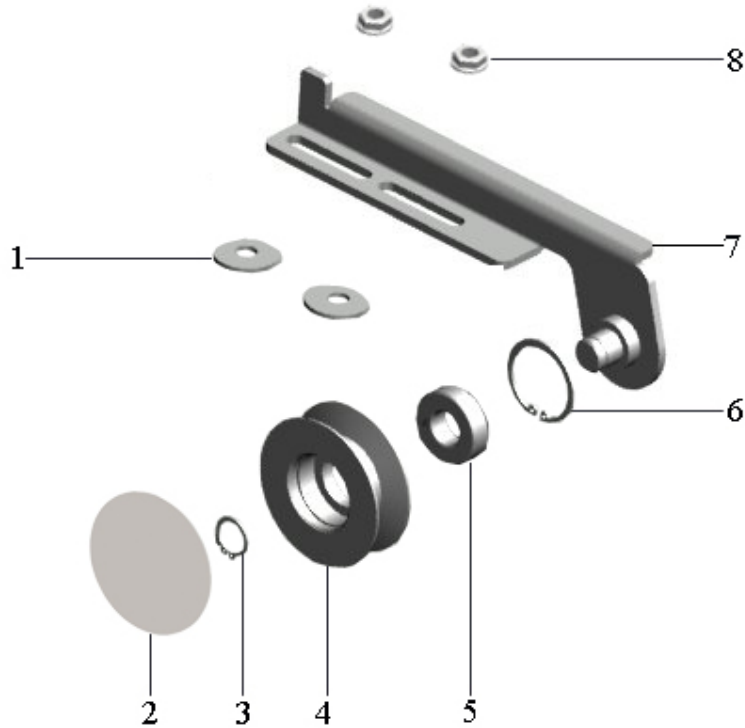
Pos	Label
1	Chassi, parts
2	Belt tensioner, parts
2	Belt tensioner cpl.
3	Belt guard, red

3.1. CHASSI, PARTS



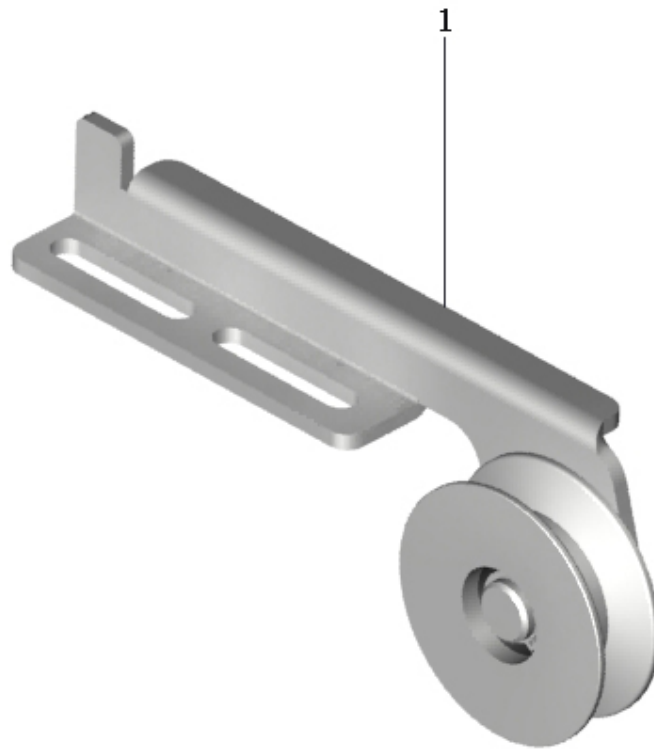
Pos	Part.No	Label	No
1	100303	WASHER / BRB 13,0x24 HB200 fzb	1
2	100107	BOLT / M6S 12x16 8.8 fzb	1
3	1001127	BOLT / M6SF 10x14 FZB	3
4	202061	SPHERICAL BEARING	2
5	201071	CHASSI	1

3.2. BELT TENSIONER, PARTS



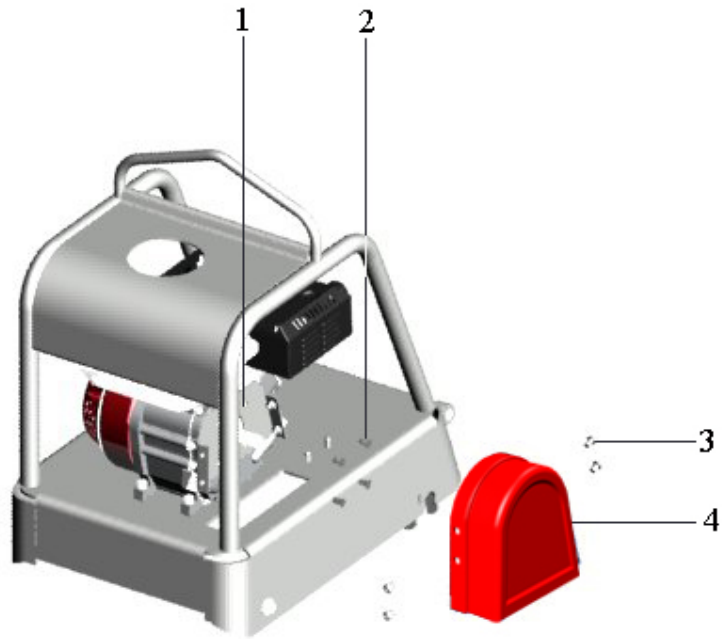
Pos	Part.No	Label	No
1	100309	WASHER / SRKB 9x28x2 HB200 fzb	2
2	204092	SEALING FILM	1
3	100408	CIRCLIP / SGA 15	1
4	201026	WHEEL	1
5	100504	BALL BEARING / 6002-02RS1-C3HT51	1
6	100407	CIRCLIP / SGH 32	1
7	201029	ARM	1
8	100224	NUT / M6MF M8	2

3.2. BELT TENSIONER CPL.



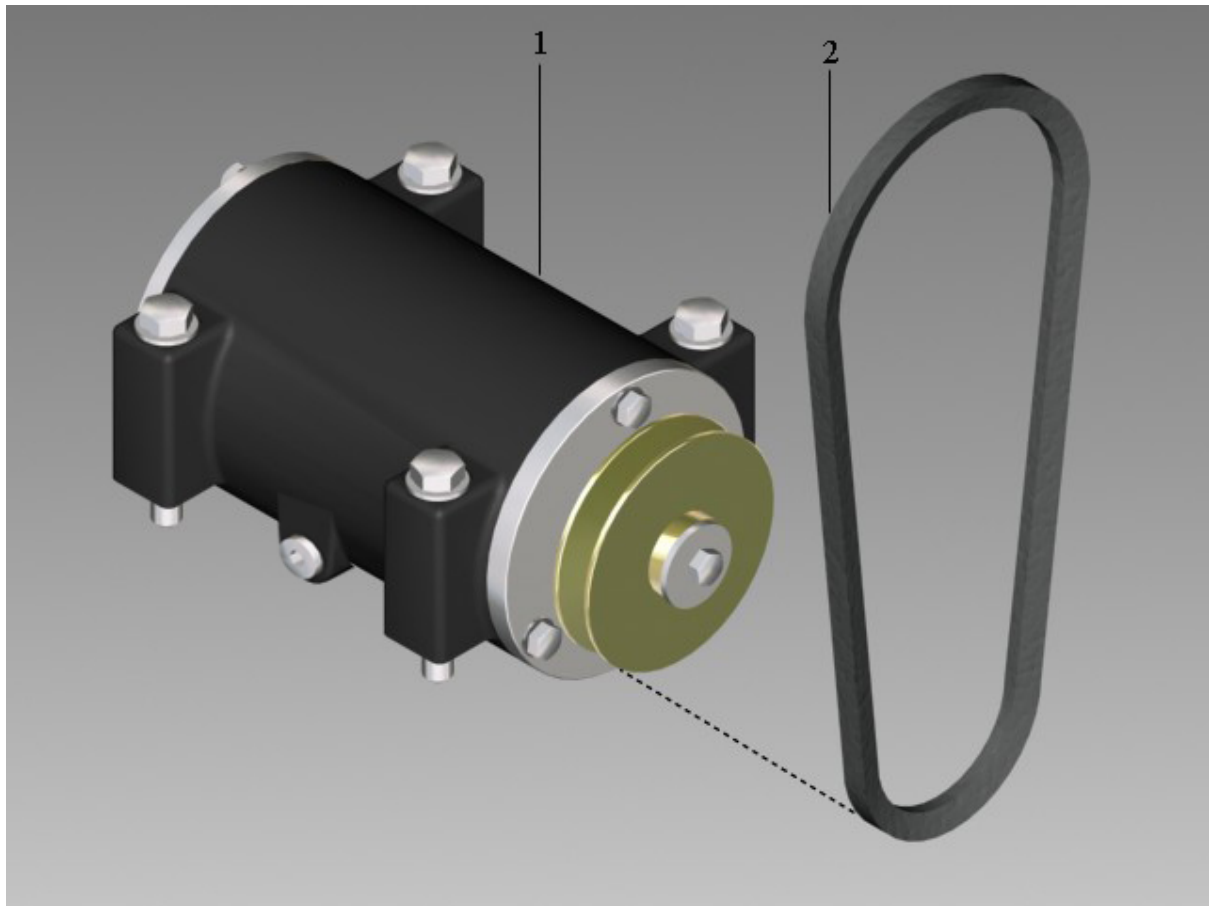
Pos	Part.No	Label	No
1	201030	BELT TENSIONER	1

3.3. BELT GUARD, RED



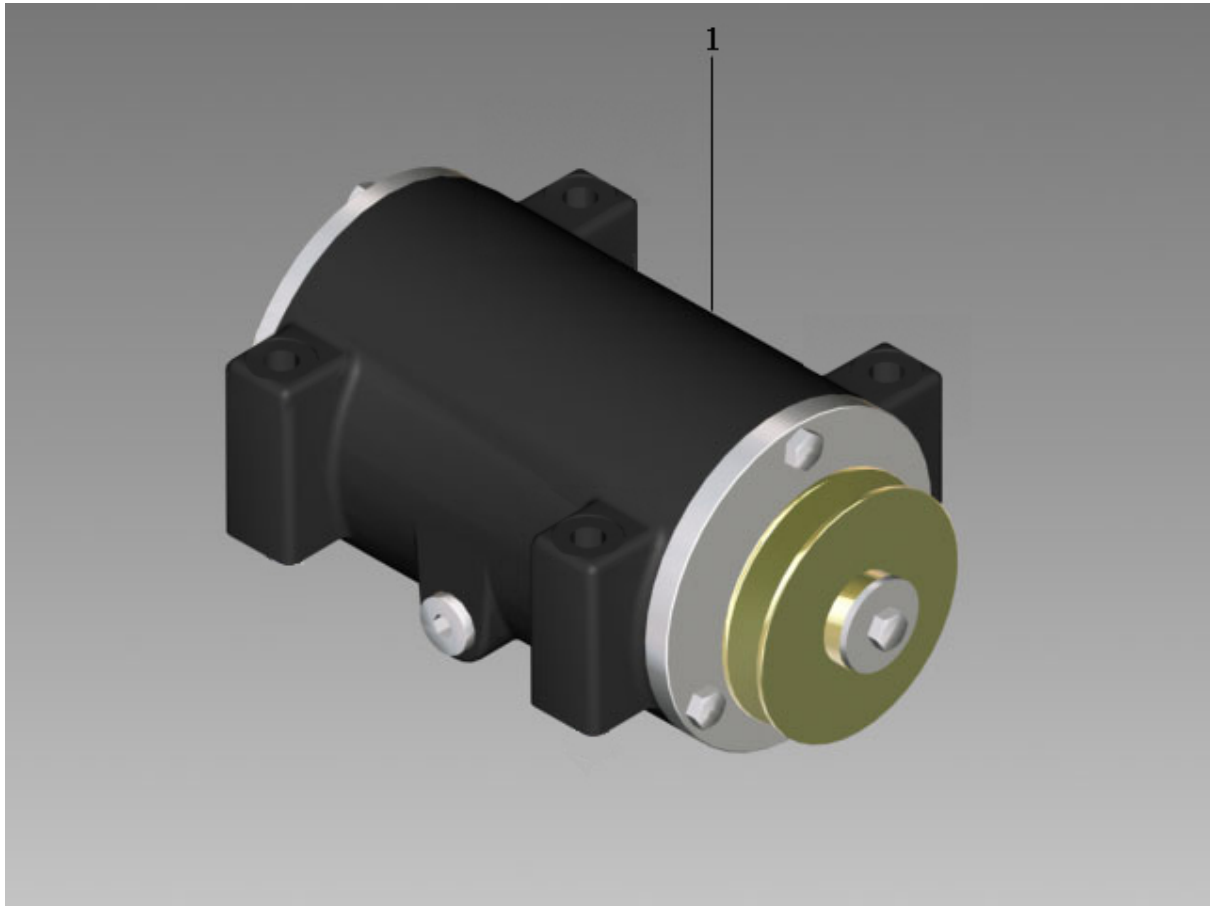
Pos	Part.No	Label	No
1	201075	INNER BELT COVER	1
2	1001103	SCREW / MELC6S 8x12 10.9	4
3	1001124	SCREW / M6SF 8x12 8.8 FZB	4
4	201086	BELT GUARD	1

4. VIBRATIONS UNIT



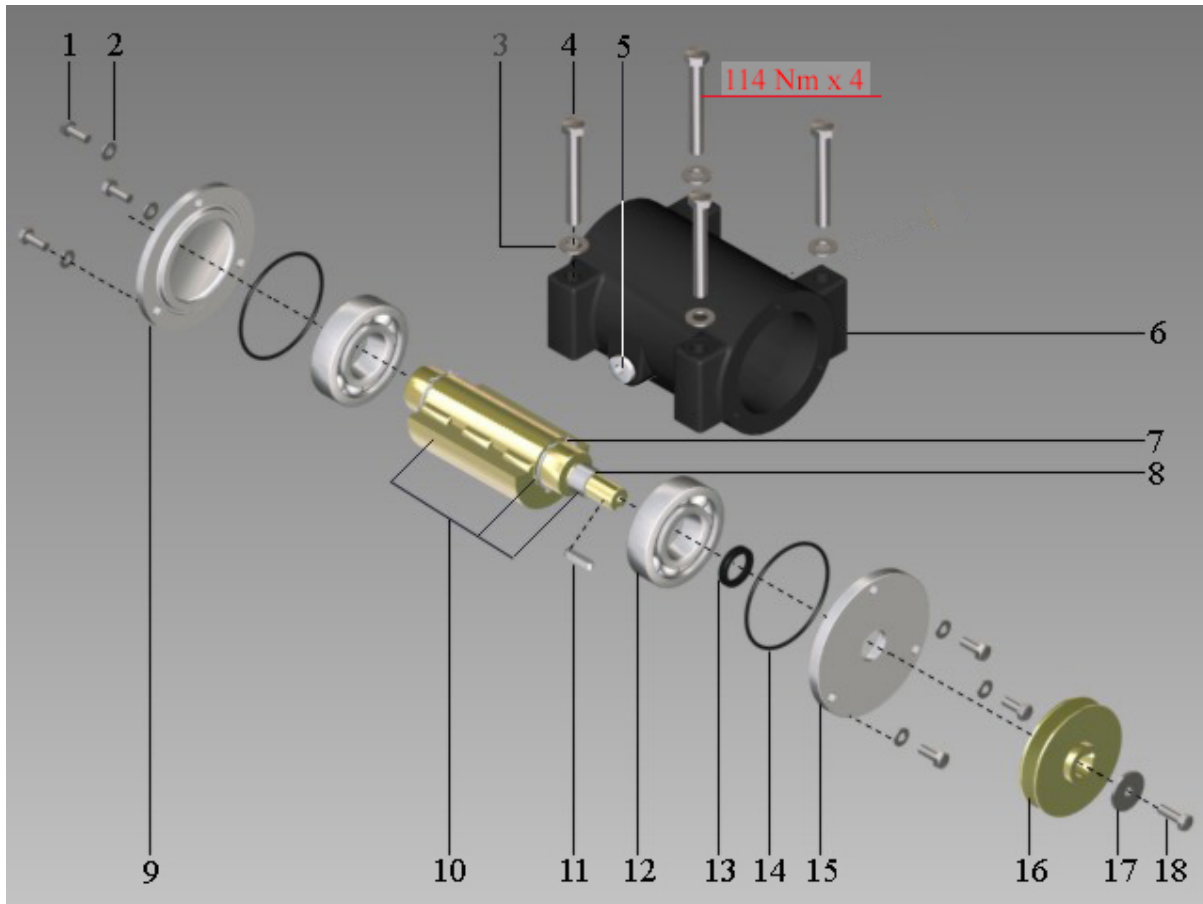
Pos	Label
1	Vibrations unit
1	Vibrations unit, parts
2	V-belt

4.1. VIBRATIONS UNIT



Pos	Part.No	Label	No
1	201013	VIBRATION UNIT	1

4.1. VIBRATIONS UNIT, PARTS



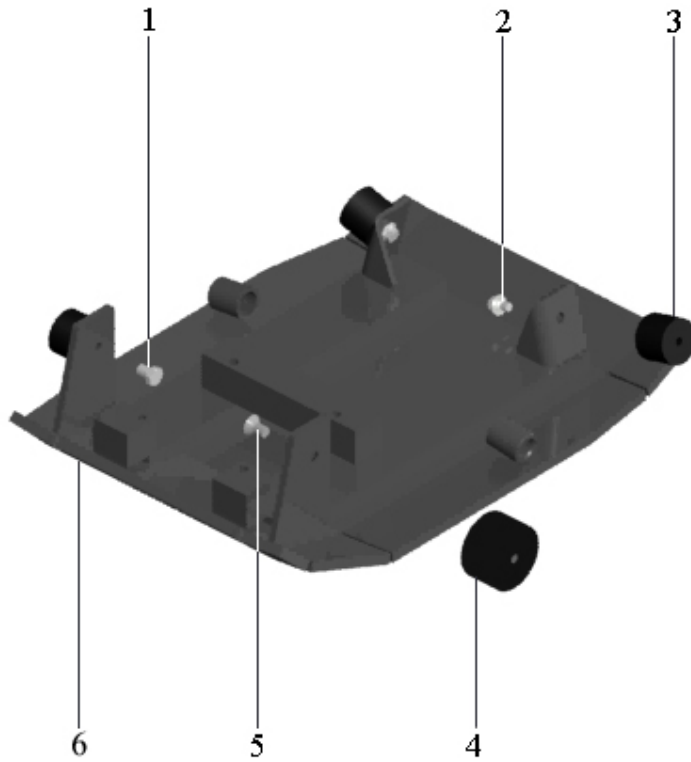
Pos	Part.No	Label	No
1	1001107	BOLT / M6SF 8x20 8.8 FZB	6
2	100301	WASHER / BRB 8,4x16 HB200 fzb	6
3	100303	WASHER / BRB 13,0x24 HB200 fzb	4
4	1001274	BOLT / M6S 12x90 10.9	4
5	101000	PLUG R3/8	1
6	202019	HOUSING	1
7	100431	CIRCLIP / A40x1,75K	2
8	100501	INNER RING / LRT 20x25x17	1
9	202016	LOCK	1
10	201015	ECCENTRIC SHAFT	1
11	100400	FLAT KEY / RK 6x6x30 H9	1
12	100505	ROLLER BEARING / NJ 308E-C3	2
13	100604	RADIAL SEALING / 25x35x6 CCP VITON	1
14	100600	O-RING / 89,5x3 NBR 70	2
15	202018	LOCK	1
16	201011	V-BELT PULLEY	1
17	100306	WASHER / SRKB 9x35x3 HB200 fzb	1
18	1001107	BOLT / M6SF 8x20 8.8 FZB	1

4.2. V-BELT



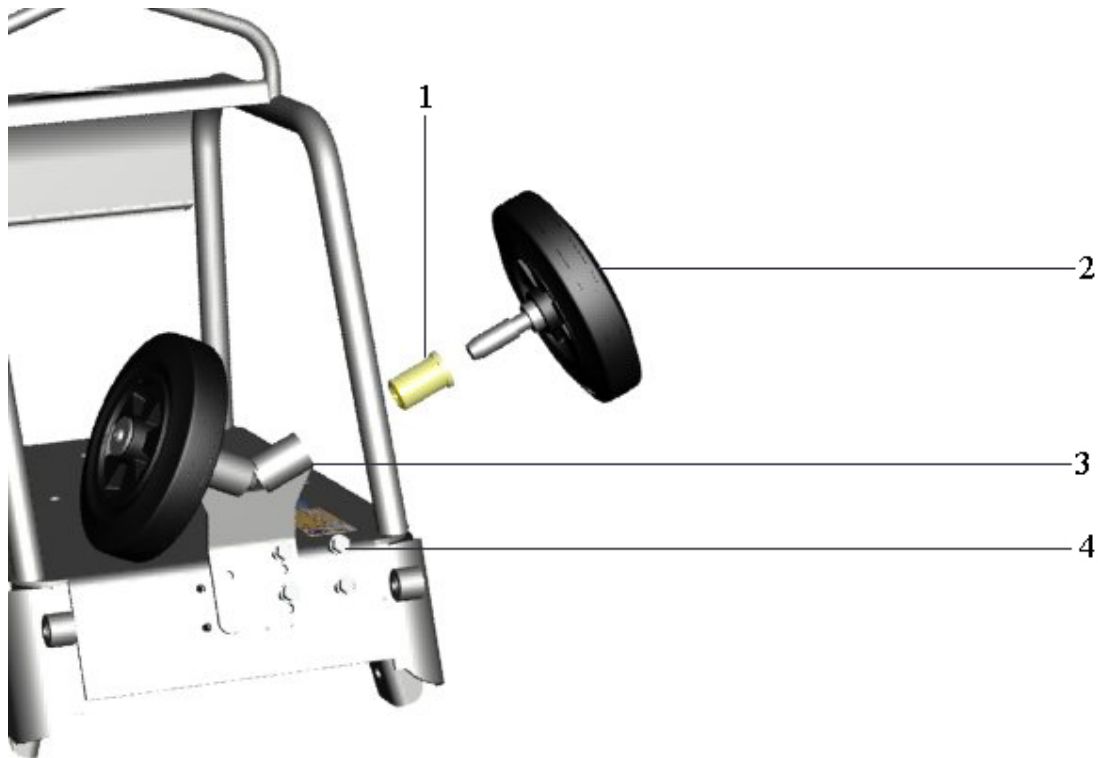
Pos	Part.No	Label	No
1	100801	V-BELT / B30	1

5. BASE PLATE



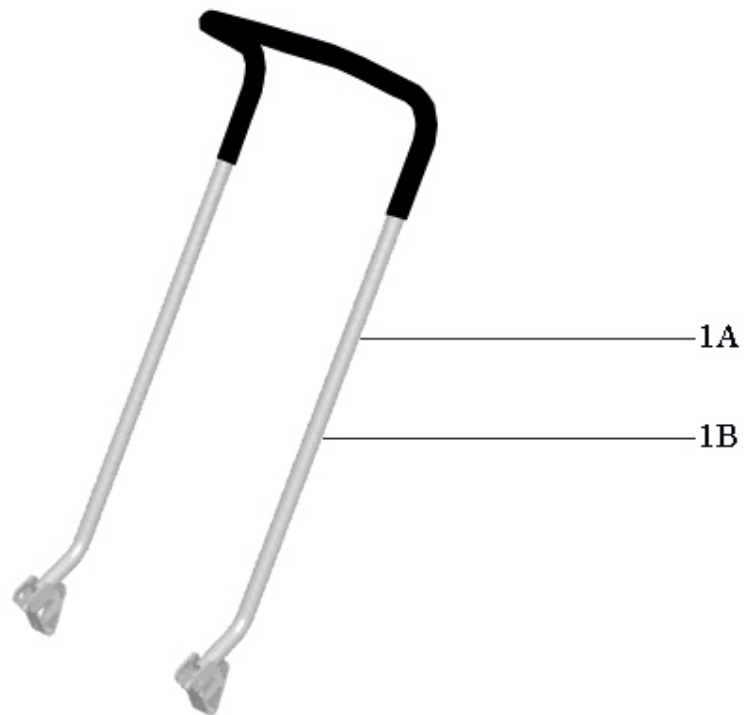
Pos	Part.No	Label	No
1	100102	BOLT / M6S 10x16 8.8 fzb	1
2	1001127	BOLT / M6SF 10x14 FZB	2
3	100723	VIBRATION ISOLATOR	3
4	100701	VIBRATIONS ISOLATOR	1
5	100126	BOLT / MF6S 12x20 10.9	1
6	201018	BASE PLATE	1

6. TRANSPORT WHEEL



Pos	Part.No	Label	No
1	207076	SLEEVE	2
2	202083	TRANSPORT WHEEL	2
3	207073	BRACKET	1
4	1001107	BOLT / M6SF 8x20 8.8 FZB	4

7. HANDLE



Pos	Label
1	B Low vibrated handle
1	A Handle

7.1. B LOW VIBRATED HANDLE



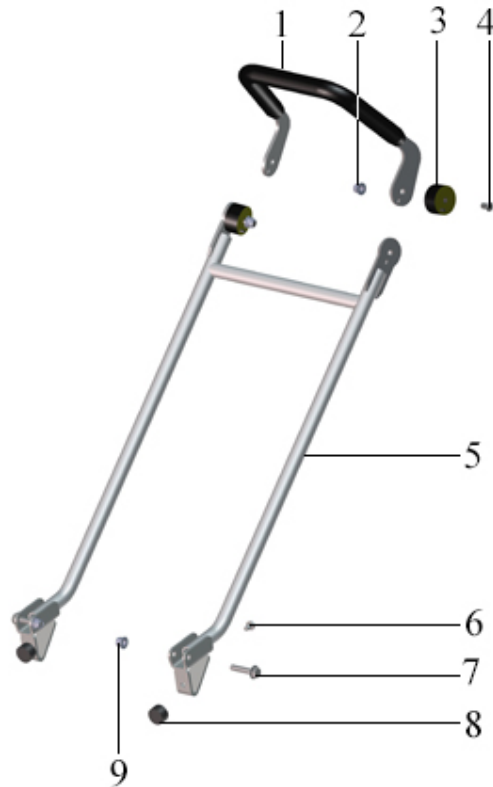
Pos	Label
1	Handel, cpl
1	Handle, parts

7.1.1. HANDEL, CPL



Pos	Part.No	Label	No
1	207110	LOW VIBRATED HANDLE	1

7.1.1. HANDLE, PARTS



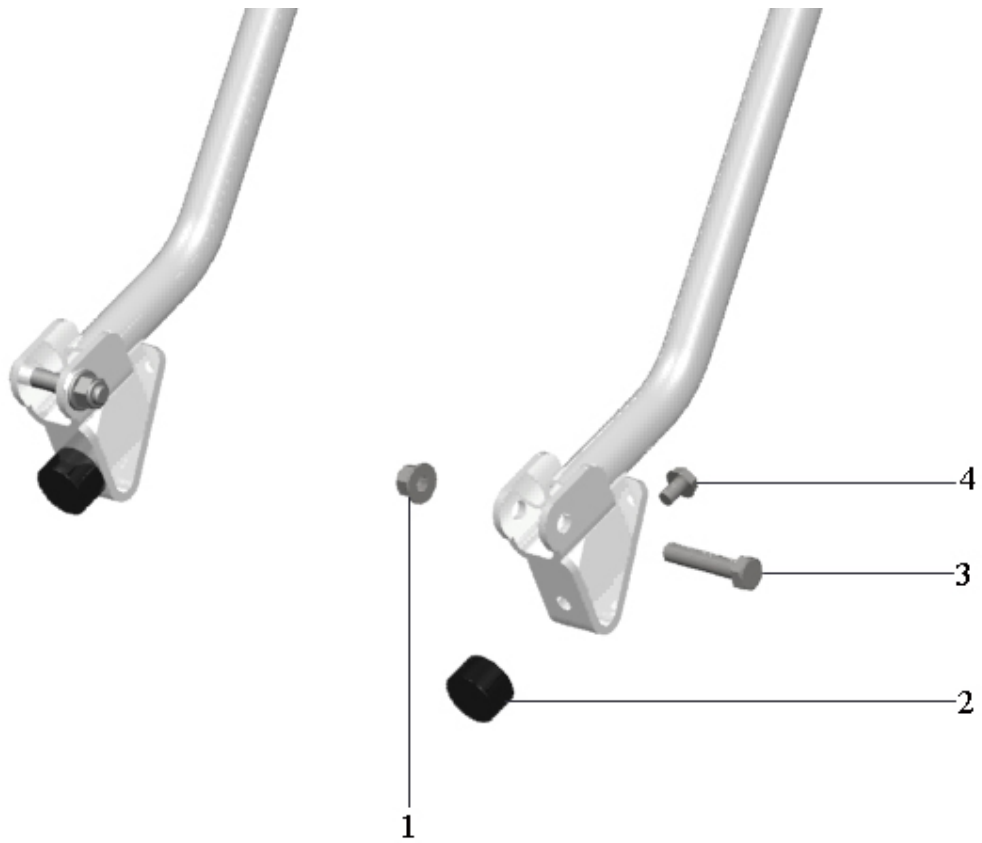
Pos	Part.No	Label	No
1	207100	HANDLE	1
2	100220	NUT / LOCKING M6MF M10	2
3	100753	VIBRATION ISOLATOR	2
4	1001100	BOLT / K6S 10x14 10.9 fzb	2
5	207108	HANDLE LOWER PART	1
6	1001124	SCREW / M6SF 8x12 8.8 FZB	2
7	1001133	BOLT / M6SF 10x50 8.8 FZB	2
8	100708	IMPACT DAMPER	2
9	100220	NUT / LOCKING M6MF M10	2

7.1. A HANDLE



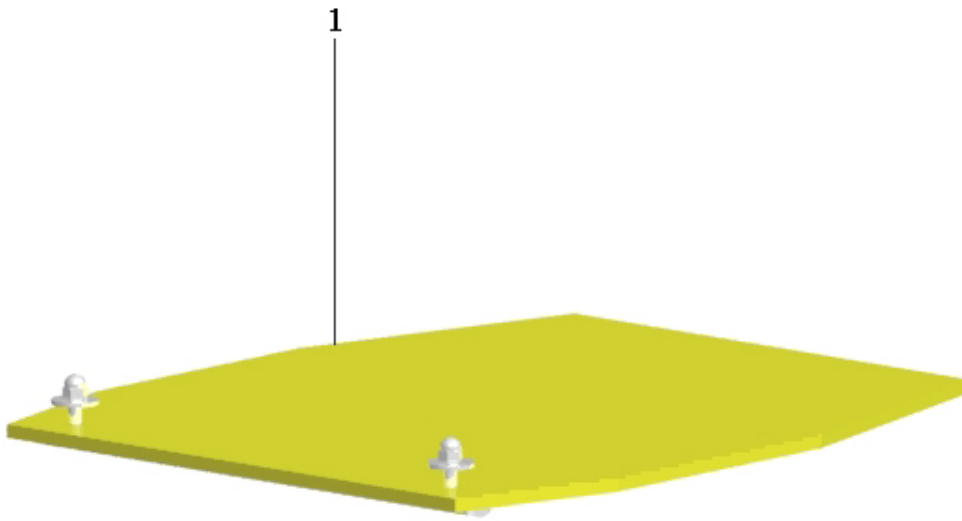
Pos	Label
1	Handle, parts

7.1.1. HANDLE, PARTS



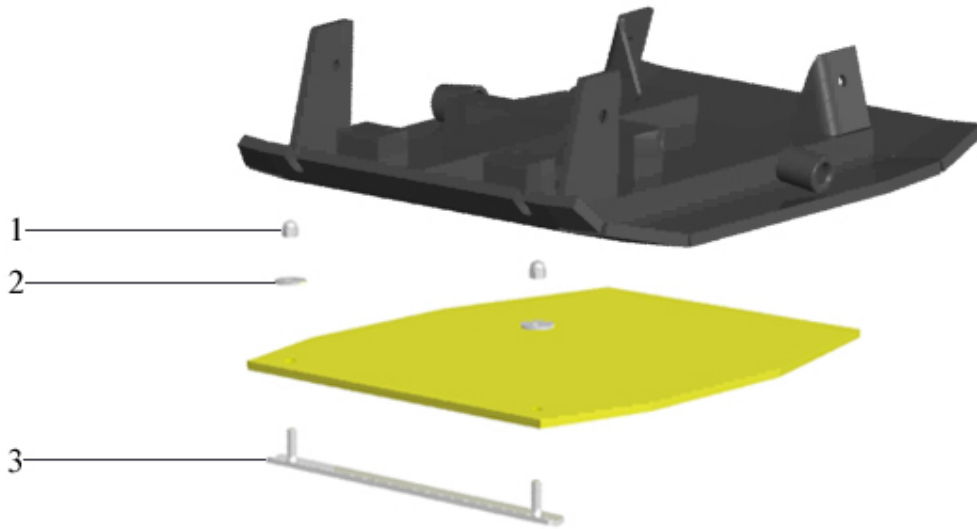
Pos	Part.No	Label	No
1	100220	NUT / LOCKING M6MF M10	2
2	100708	IMPACT DAMPER	2
3	1001133	BOLT / M6SF 10x50 8.8 FZB	2
4	1001124	SCREW / M6SF 8x12 8.8 FZB	2

8. VULKOLLAN PLATE (ACCESSORIES)



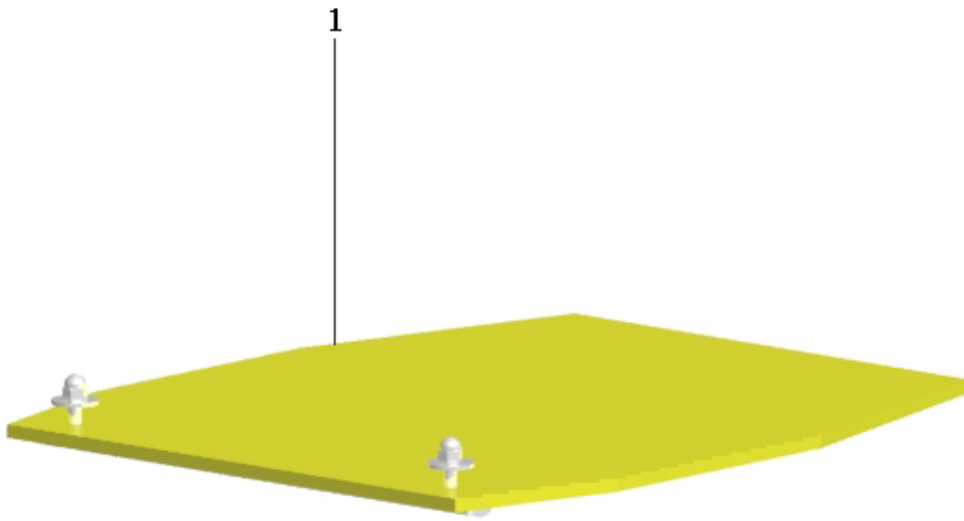
Pos	Label
1	Vulkollan plate, parts
1	Vulkollan plate cpl.

8.1. VULKOLLAN PLATE, PARTS



Pos	Part.No	Label	No
1	100220	NUT / LOCKING M6MF M10	2
2	100318	WASHER / SRKB 11x35x3 HB200 fzb	2
3	201045	BRACKET	1

8.1. VULKOLLAN PLATE CPL.



Pos	Part.No	Label	No
1	201047	VULKOLLAN PLATE	1

9. SERVICE KIT



Pos	Part.No	Label	No
1	102116	SERVICEKIT F140	1
	-	Including parts:	
0	100801	V-BELT / B30	1
0	101210	AIR FILTER 70mm HIGH	1
0	101278	SPARK-PLUG	1
	-		

